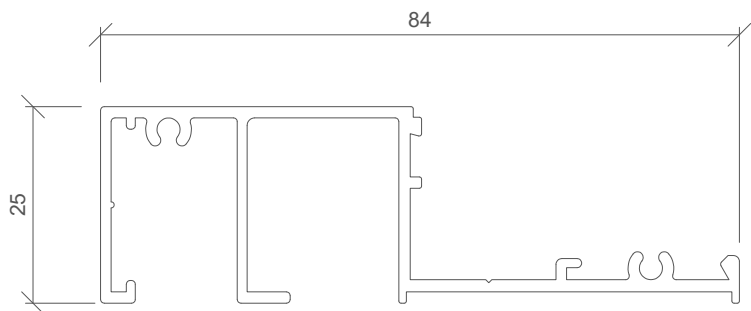


For more information regarding this profile, visit: [www.autexpsl.co.nz](http://www.autexpsl.co.nz)

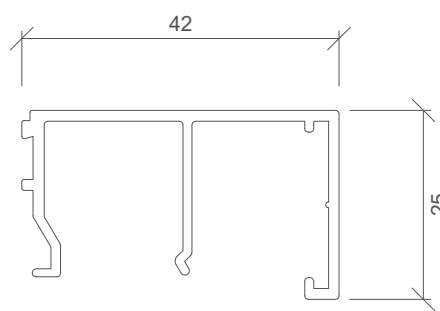
Autex PSL LTD, Private Bag 19988, Avondale 1746, Auckland

Freephone 0800 82 80 80, [sales@autexpsl.co.nz](mailto:sales@autexpsl.co.nz)

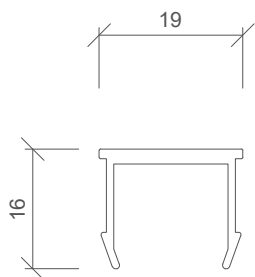
© Images are copyright & property of Autex PSL Limited



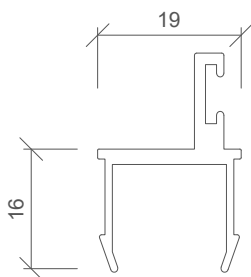
SILL GLAZING BAR  
 PSL 588



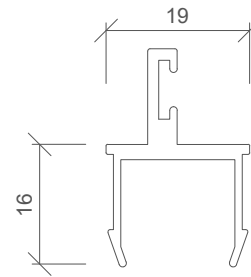
SILL GLAZING BEAD  
 PSL 587



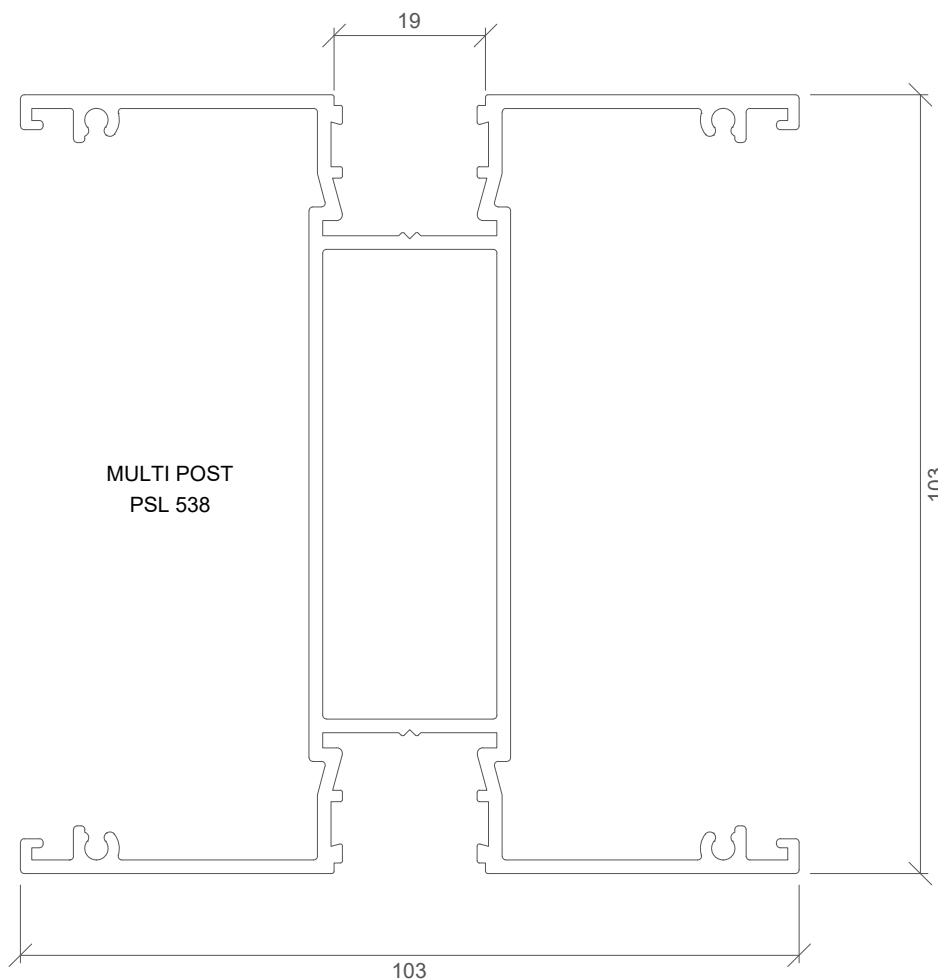
POCKET FLUSH INFILL  
 PSL 648



POCKET DOOR STOP  
 40mm DOOR  
 PSL 545



POCKET DOOR STOP  
 50mm DOOR  
 PSL 547

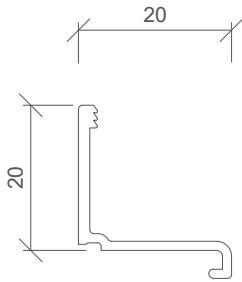


MULTI POST  
 PSL 538

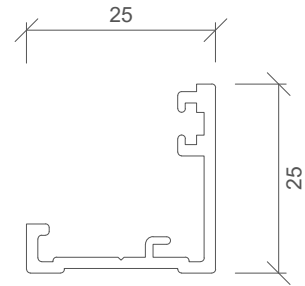
For more information regarding this profile, visit: [www.autexpsl.co.nz](http://www.autexpsl.co.nz)

Autex PSL LTD, Private Bag 19988, Avondale 1746, Auckland  
 Freephone 0800 82 80 80, [sales@autexpsl.co.nz](mailto:sales@autexpsl.co.nz)

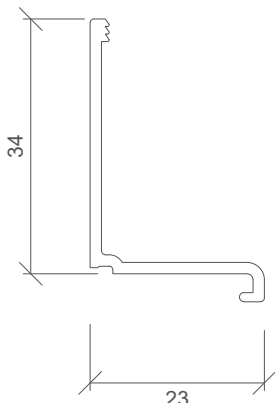
© Images are copyright & property of Autex PSL Limited



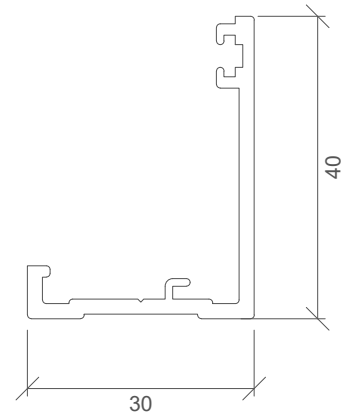
25 GLAZING BEAD  
 PSL 541



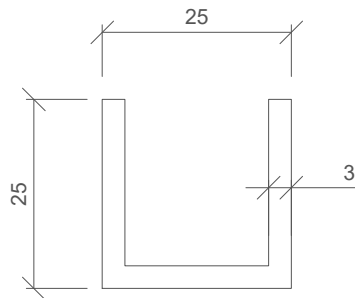
25 GLAZING BAR  
 PSL 540



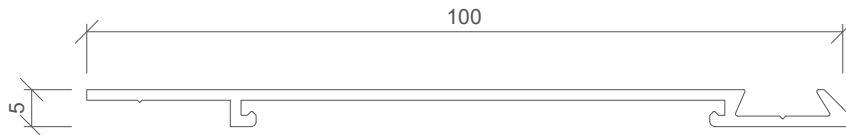
30 x 40 GLAZING BEAD  
 PSL 563



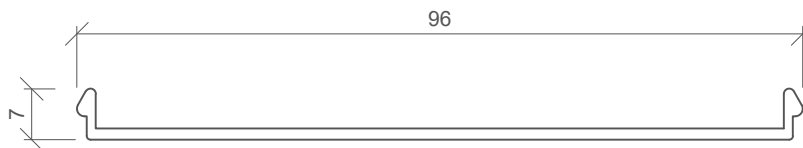
30 x 40 GLAZING BAR  
 PSL 562



25 x 25 x 3 CHANNEL  
 PSL 320



100mm SKIRTING  
 PSL 601



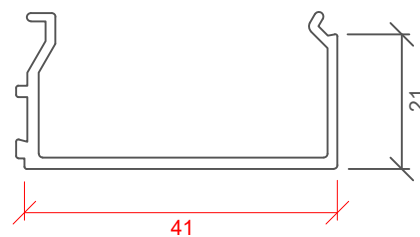
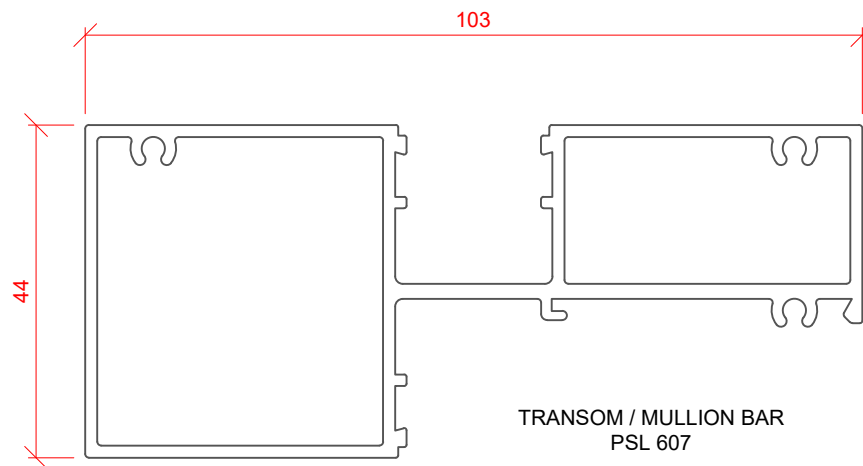
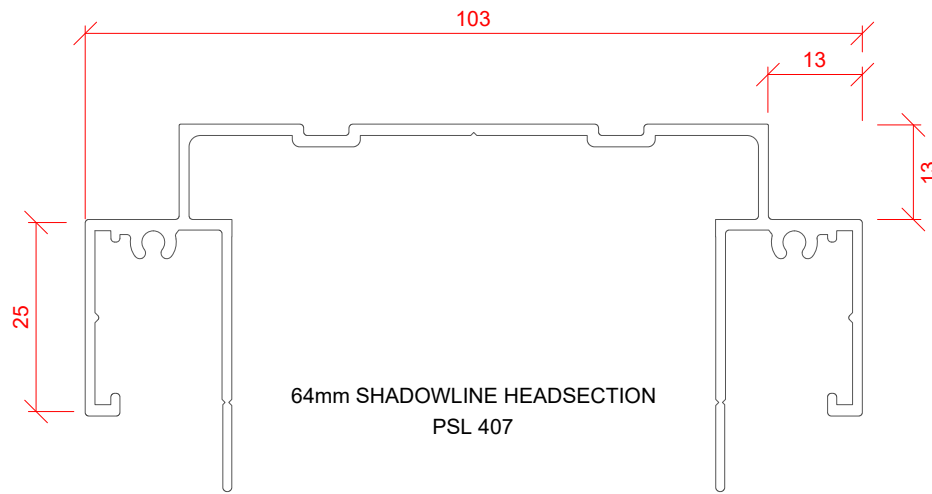
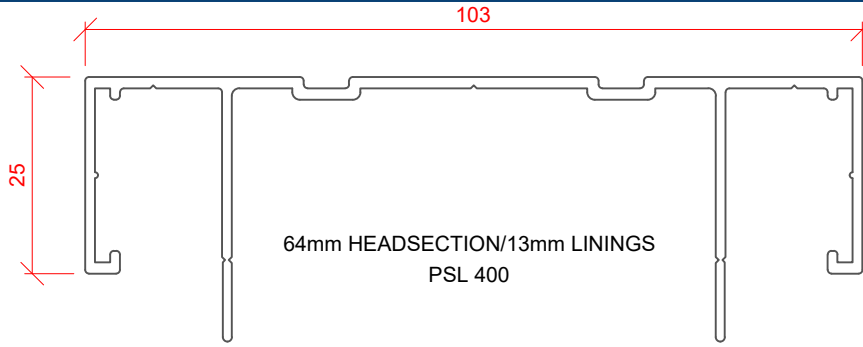
FLUSH STARTER CAP  
 PSL 537

For more information regarding this profile, visit: [www.autexpsl.co.nz](http://www.autexpsl.co.nz)

Autex PSL LTD, Private Bag 19988, Avondale 1746, Auckland

Freephone 0800 82 80 80, [sales@autexpsl.co.nz](mailto:sales@autexpsl.co.nz)

© Images are copyright & property of Autex PSL Limited

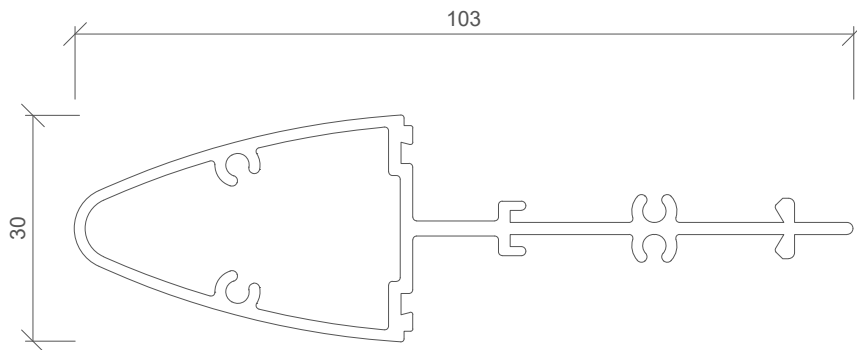


For more information regarding this profile, visit: [www.autexpsl.co.nz](http://www.autexpsl.co.nz)

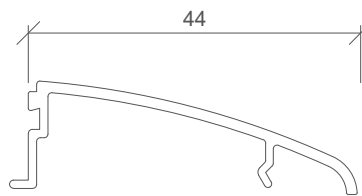
Autex PSL LTD, Private Bag 19988, Avondale 1746, Auckland

Freephone 0800 82 80 80, [sales@autexpsl.co.nz](mailto:sales@autexpsl.co.nz)

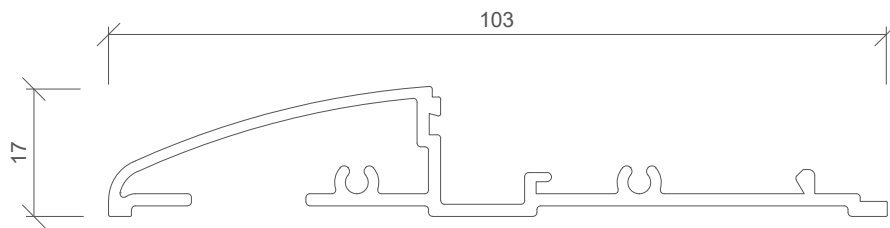
© Images are copyright & property of Autex PSL Limited



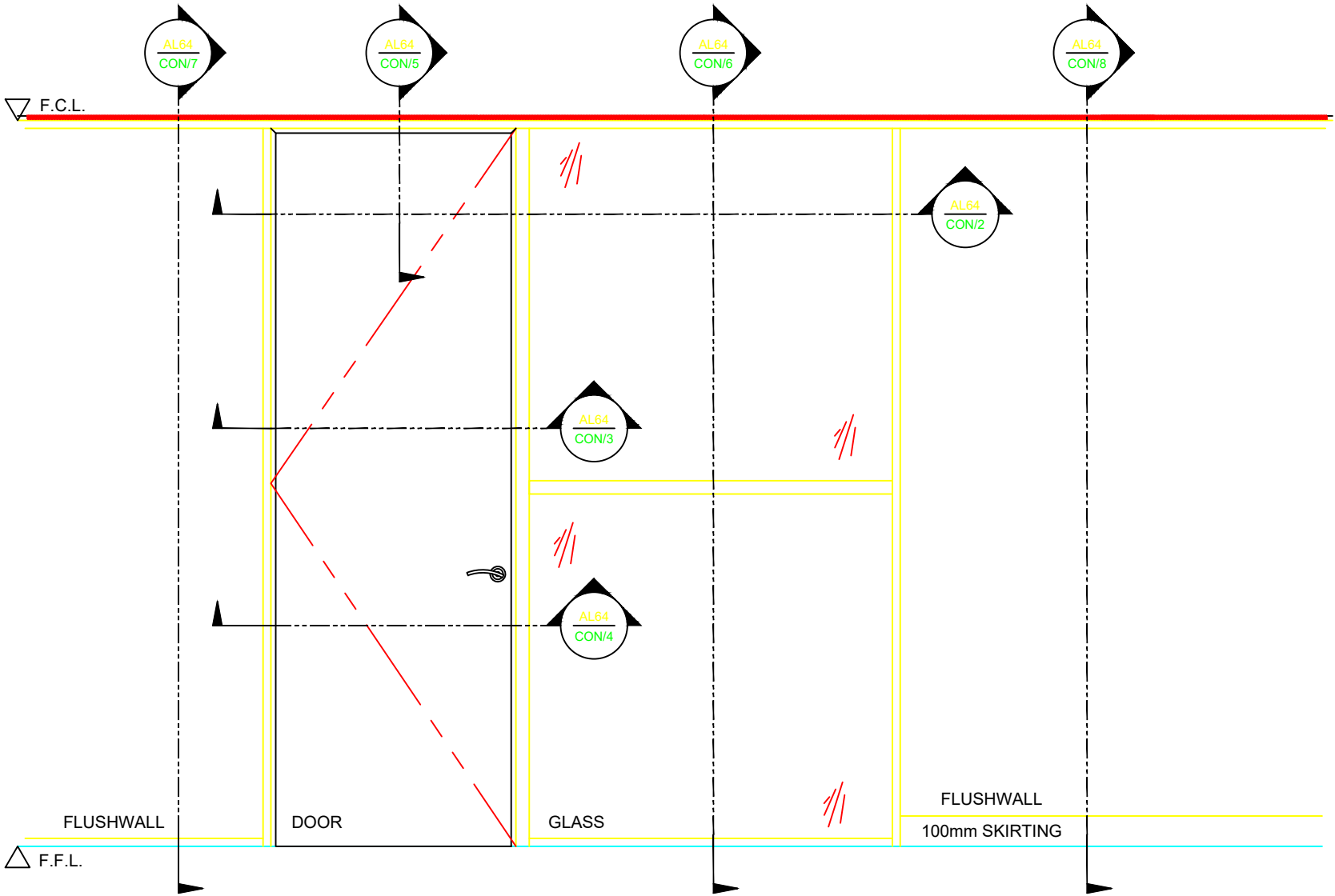
ELLIPTICAL TRANSOM  
PSL 590



ELLIPTICAL BEAD  
PSL 591



ELLIPTICAL WALL STARTER/SILL  
PSL 592

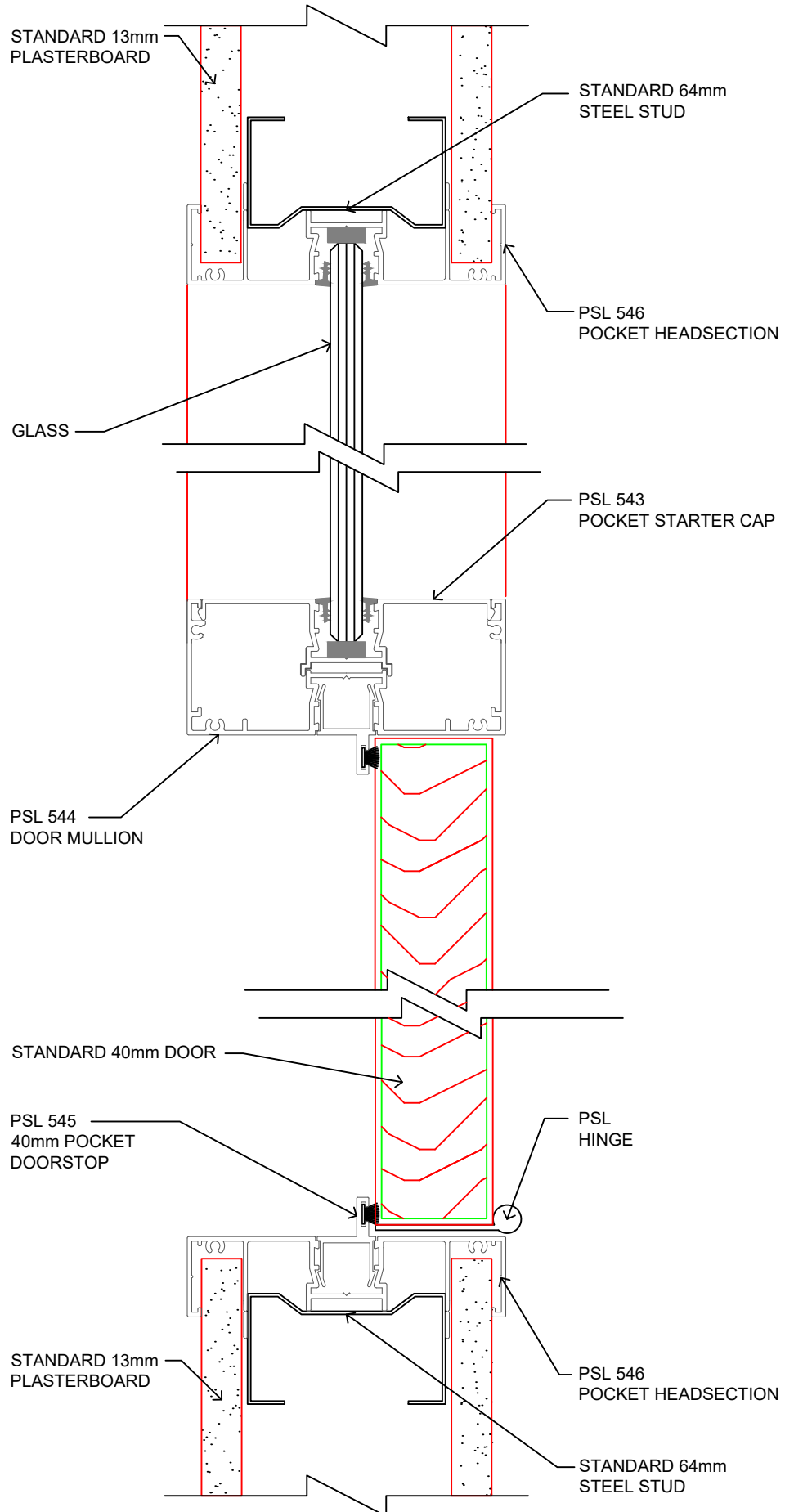


For more information regarding this profile, visit: [www.autexpสล.co.nz](http://www.autexpสล.co.nz)

Autex PSL LTD, Private Bag 19988, Avondale 1746, Auckland

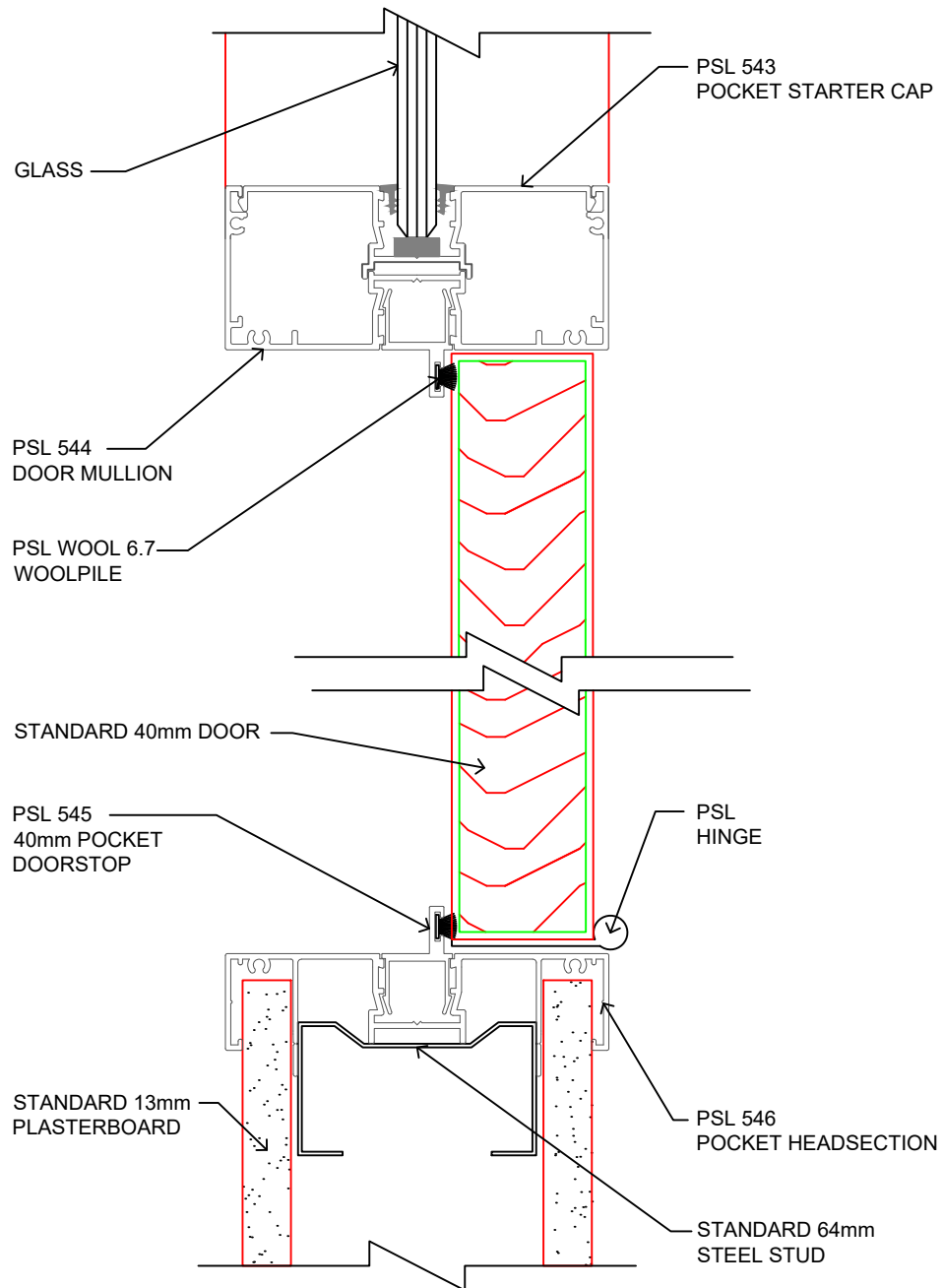
Freephone 0800 82 80 80, [sales@autexpสล.co.nz](mailto:sales@autexpสล.co.nz)

© Images are copyright & property of Autex PSL Limited

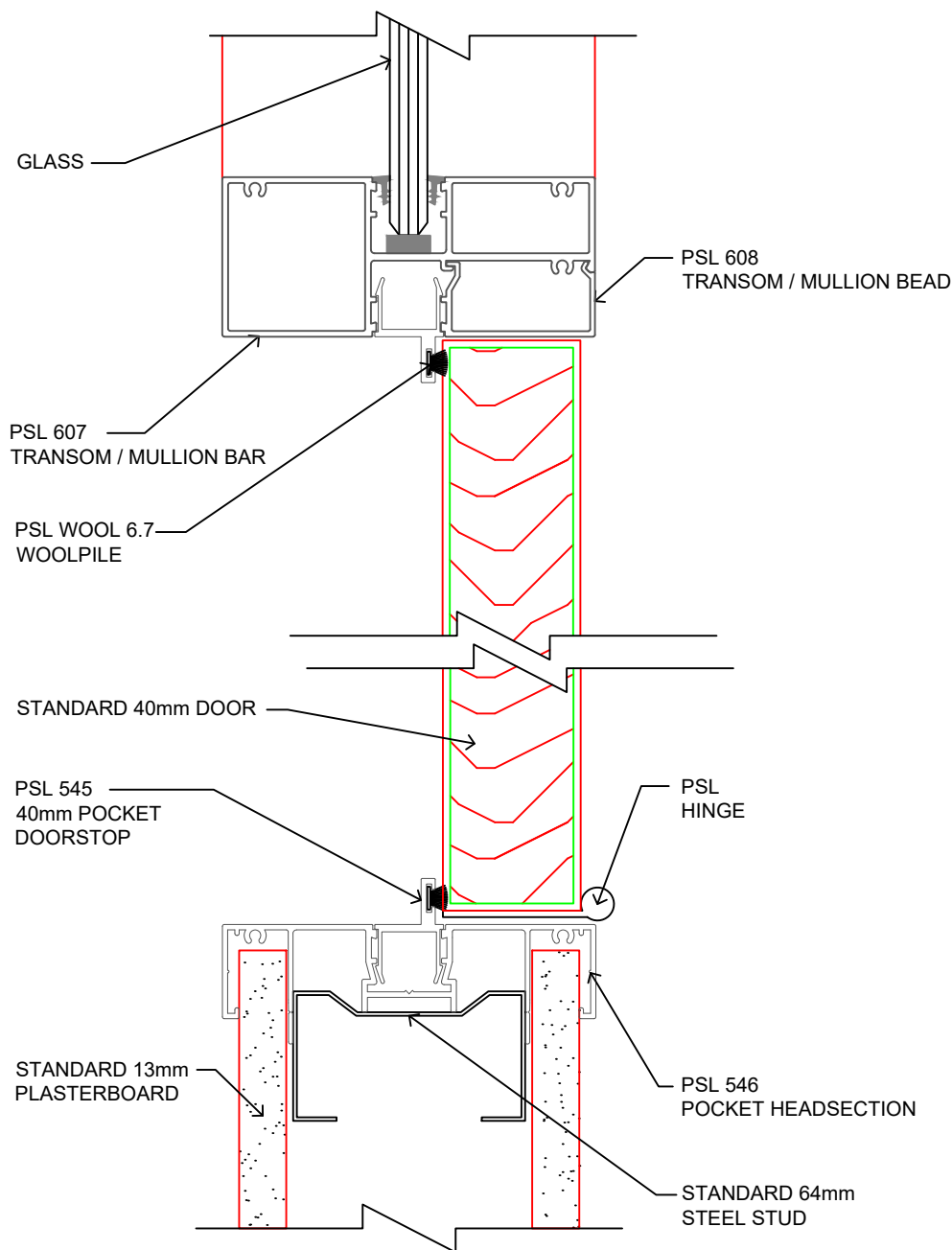


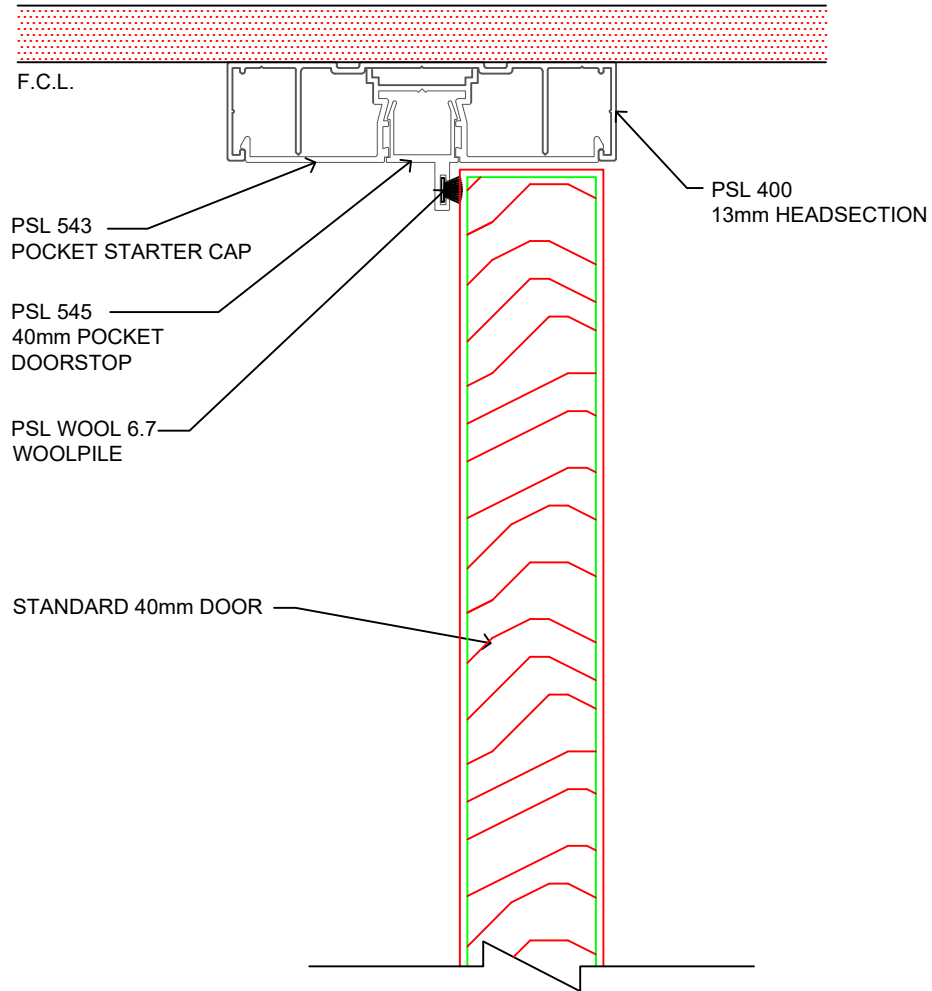
For more information regarding this profile, visit: [www.autexpsl.co.nz](http://www.autexpsl.co.nz)

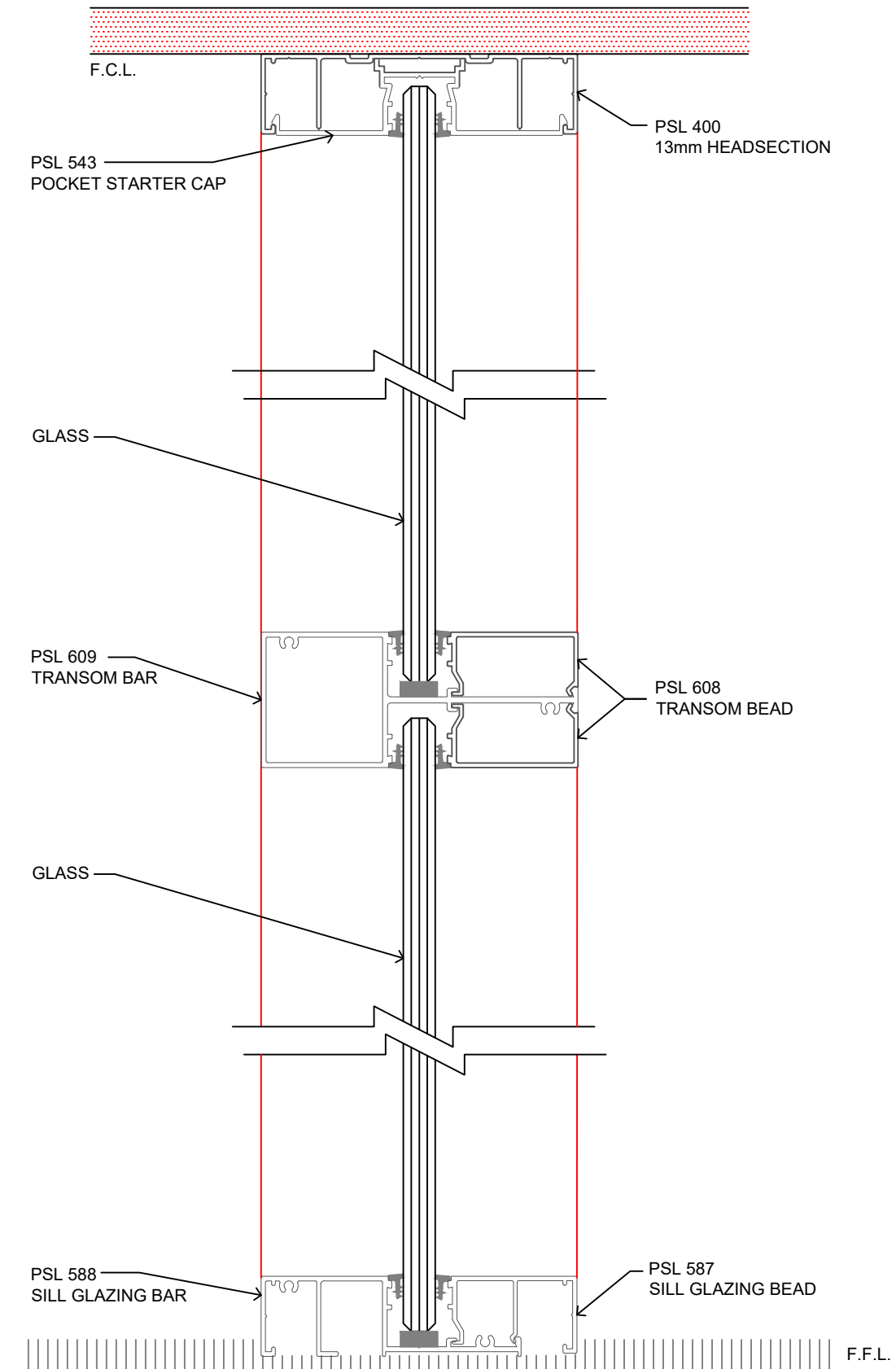
Autex PSL LTD, Private Bag 19988, Avondale 1746, Auckland  
 Freephone 0800 82 80 80, [sales@autexpsl.co.nz](mailto:sales@autexpsl.co.nz)











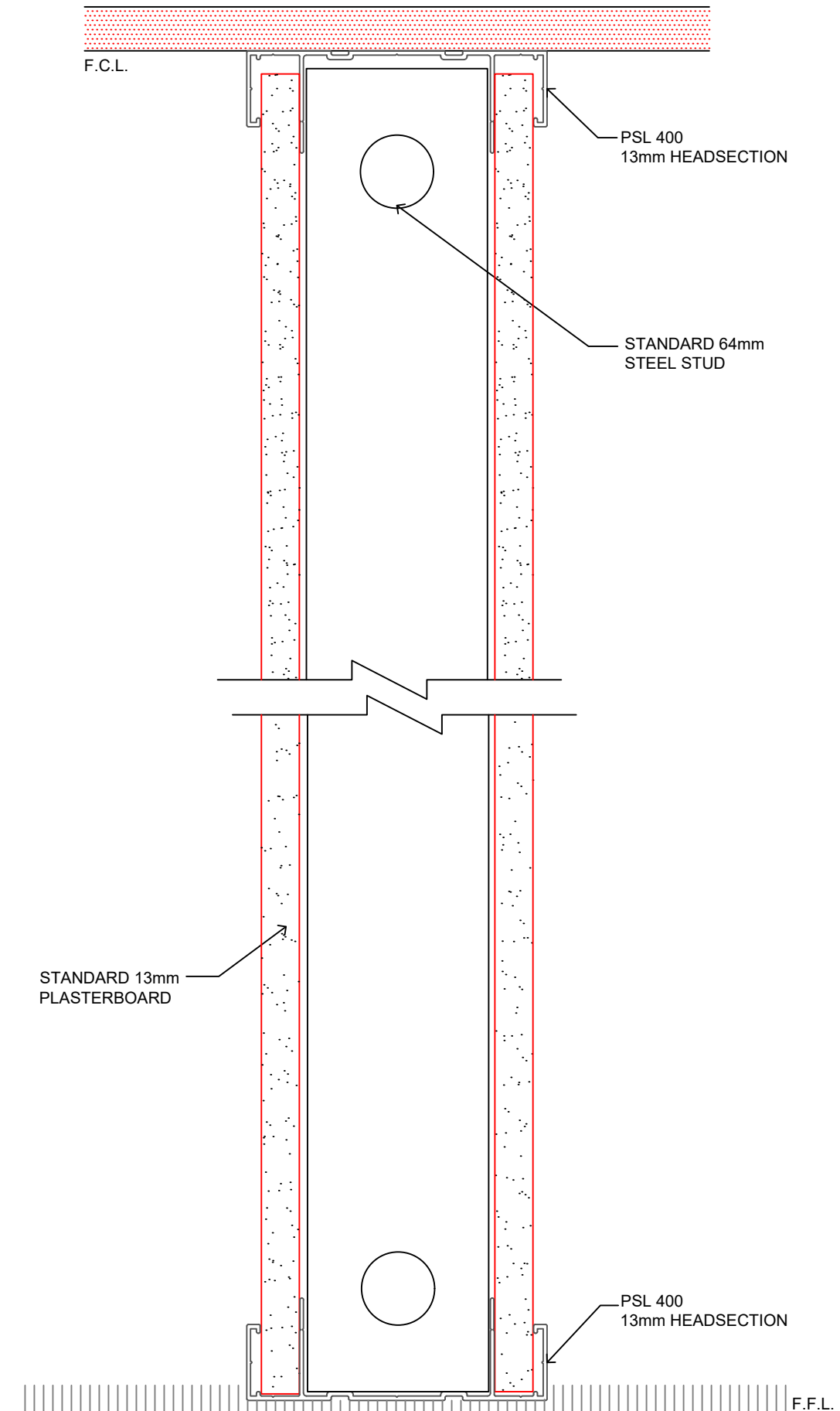
For more information regarding this profile, visit: [www.autexpsl.co.nz](http://www.autexpsl.co.nz)

Autex PSL LTD, Private Bag 19988, Avondale 1746, Auckland

Freephone 0800 82 80 80, [sales@autexpsl.co.nz](mailto:sales@autexpsl.co.nz)

© Images are copyright & property of Autex PSL Limited

**ALEMENT 64 SERIES**  
**STANDARD DETAILS**  
**64mm STEEL STUD, 1 LAYER 13mm PLASTERBOARD**

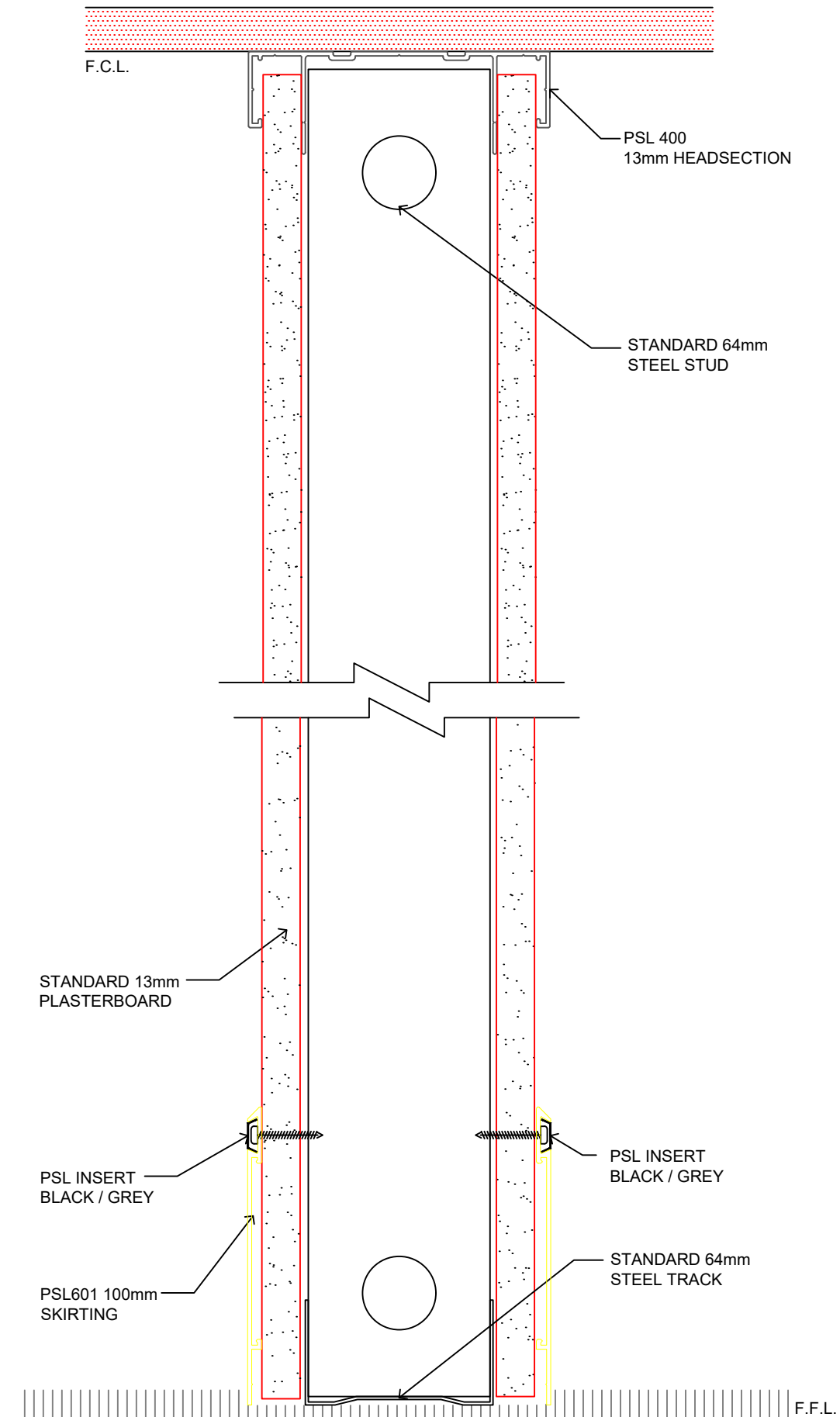


For more information regarding this profile, visit: [www.autexpsl.co.nz](http://www.autexpsl.co.nz)

Autex PSL LTD, Private Bag 19988, Avondale 1746, Auckland

Freephone 0800 82 80 80, [sales@autexpsl.co.nz](mailto:sales@autexpsl.co.nz)

© Images are copyright & property of Autex PSL Limited



For more information regarding this profile, visit: [www.autexpsl.co.nz](http://www.autexpsl.co.nz)

Autex PSL LTD, Private Bag 19988, Avondale 1746, Auckland

Freephone 0800 82 80 80, [sales@autexpsl.co.nz](mailto:sales@autexpsl.co.nz)

© Images are copyright & property of Autex PSL Limited