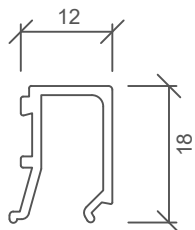


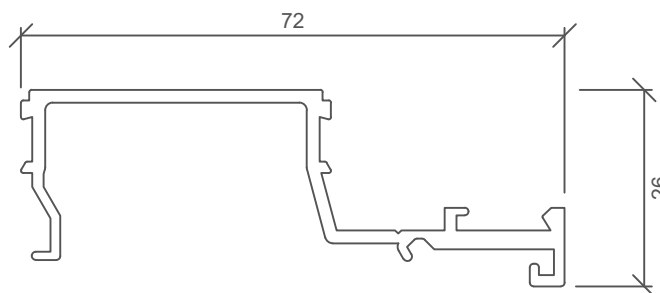
For more information regarding this profile, visit: www.autexpsl.co.nz

Autex PSL LTD, Private Bag 19988, Avondale 1746, Auckland
Freephone 0800 82 80 80, sales@autexpsl.co.nz

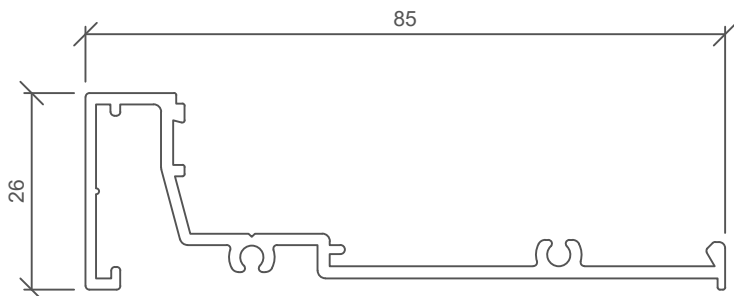
© Images are copyright & property of Autex PSL Limited



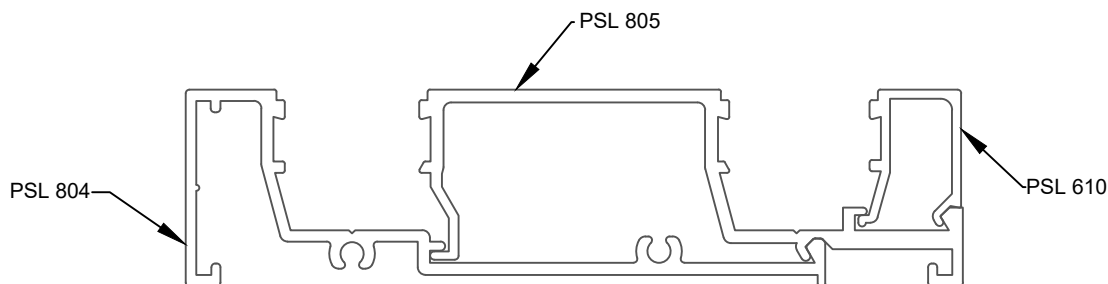
ALEMENT GLAZING BEAD
PSL 610
SUITS PSL 605, 630, 645, 670, 680, 776, 805, 816

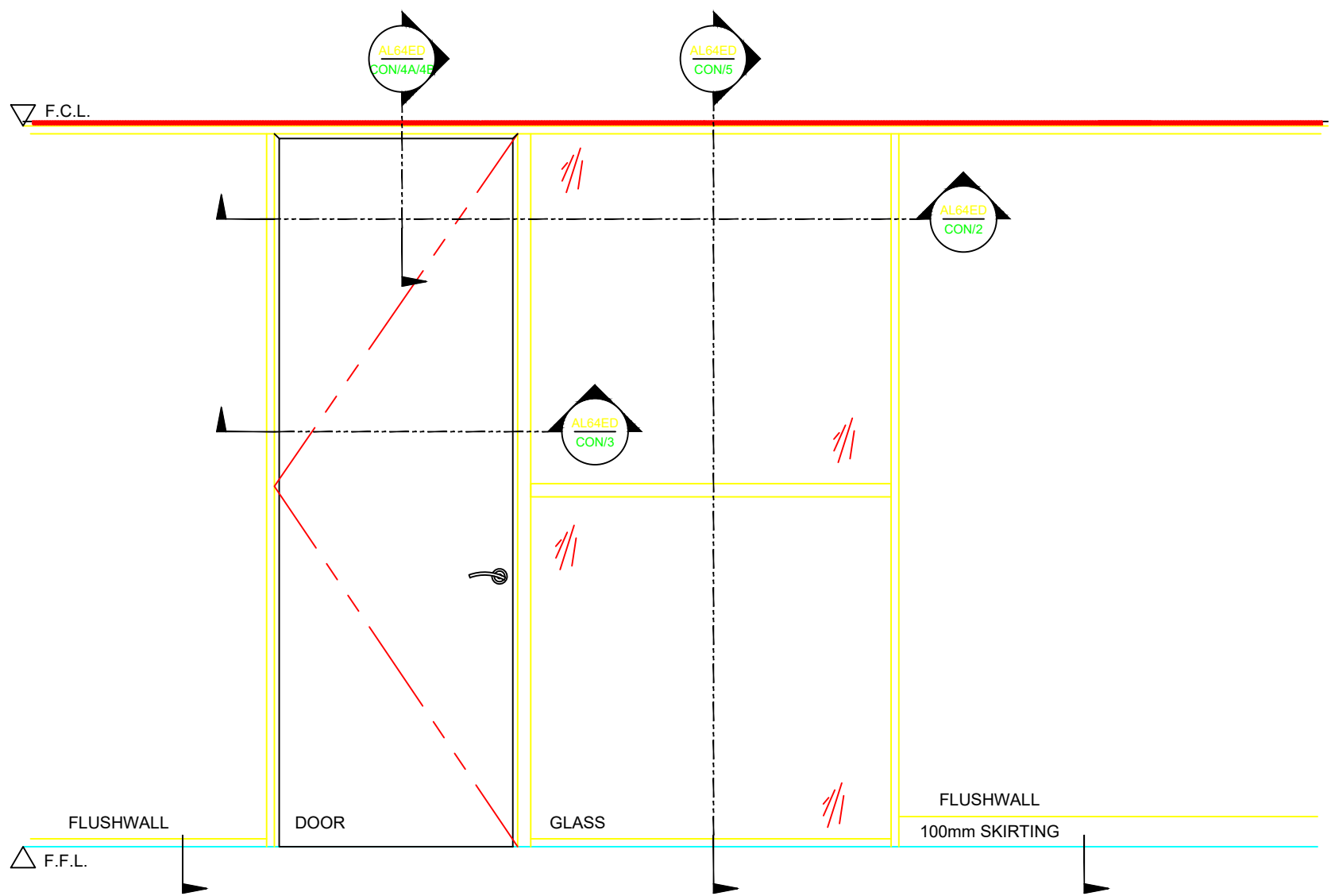


EDGE GLAZED GLAZING BEAD
PSL 805



EDGE GLAZED GLAZING BAR
PSL 804



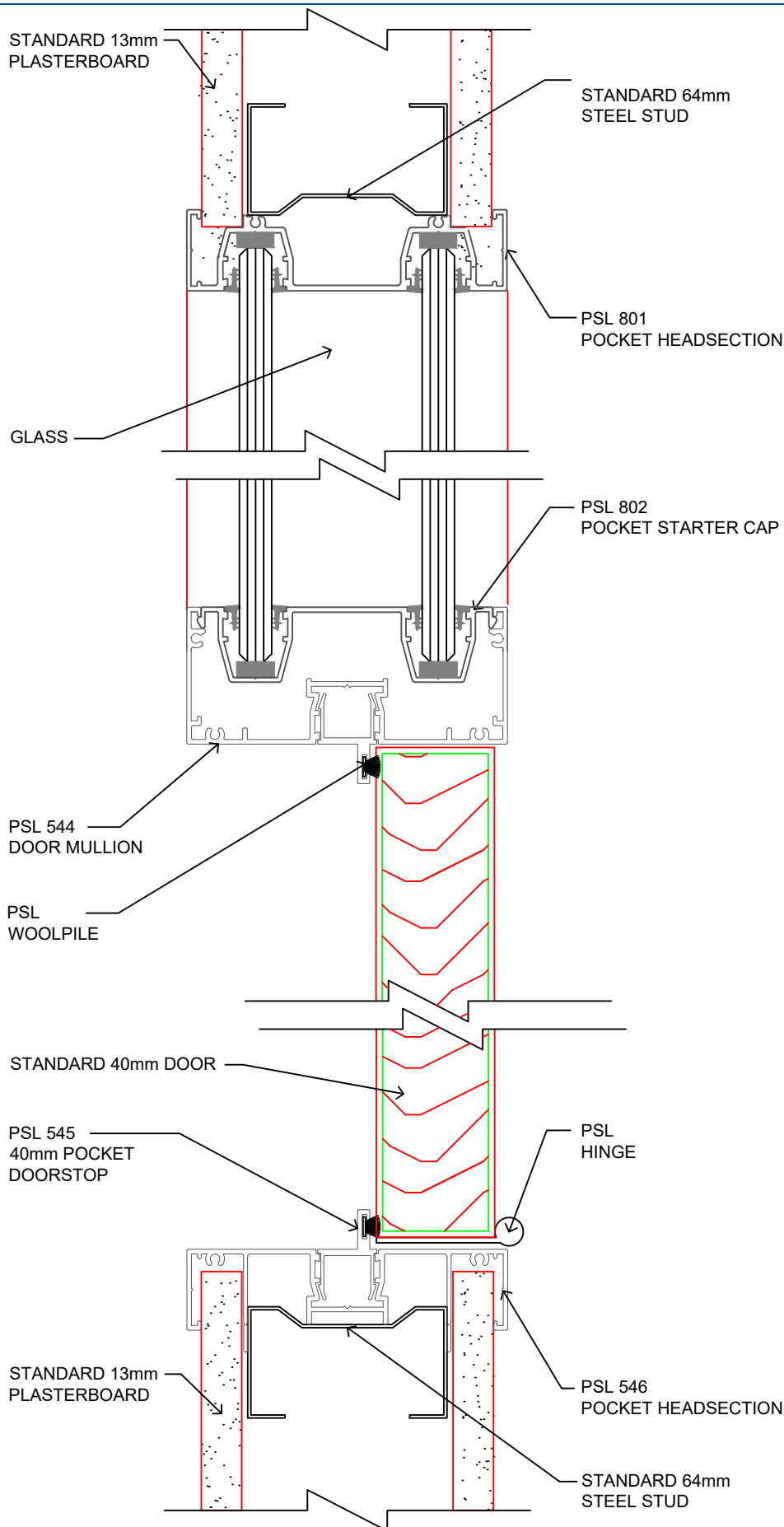


For more information regarding this profile, visit: www.autexpsl.co.nz

Autex PSL LTD, Private Bag 19988, Avondale 1746, Auckland

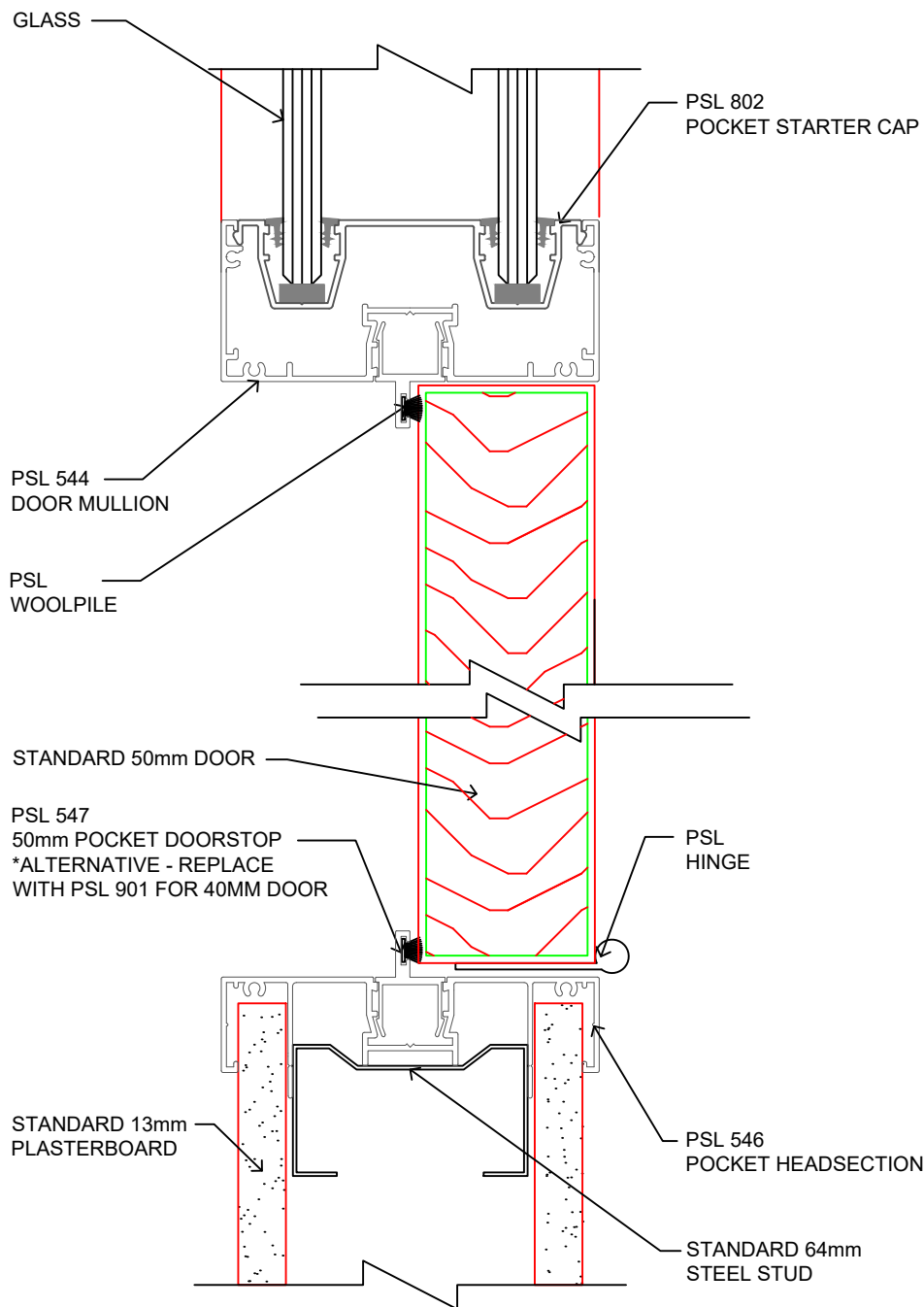
Freephone 0800 82 80 80, sales@autexpsl.co.nz

© Images are copyright & property of Autex PSL Limited



For more information regarding this profile, visit: www.autexpsl.co.nz

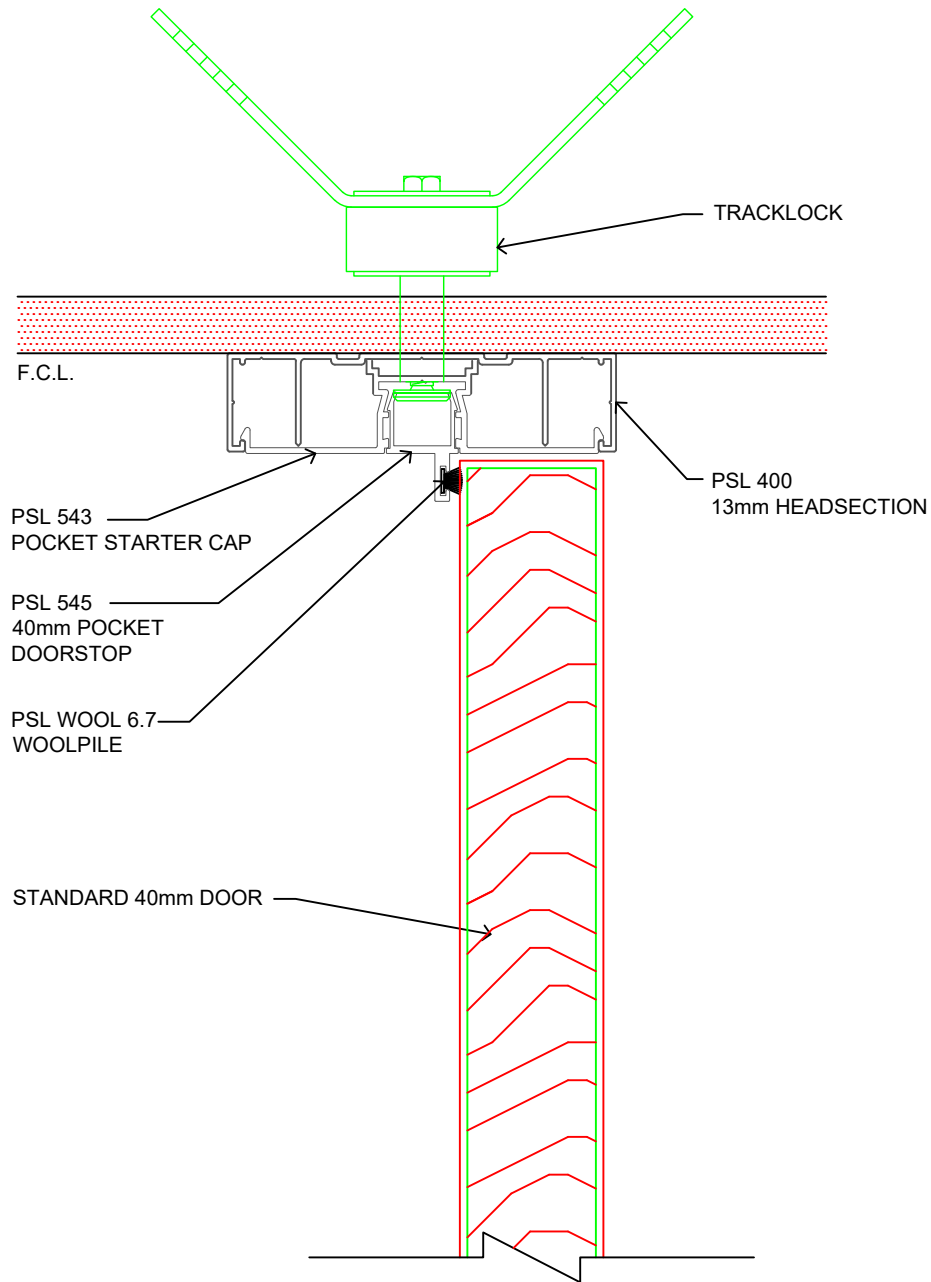
Autex PSL LTD, Private Bag 19988, Avondale 1746, Auckland
 Freephone 0800 82 80 80, sales@autexpsl.co.nz

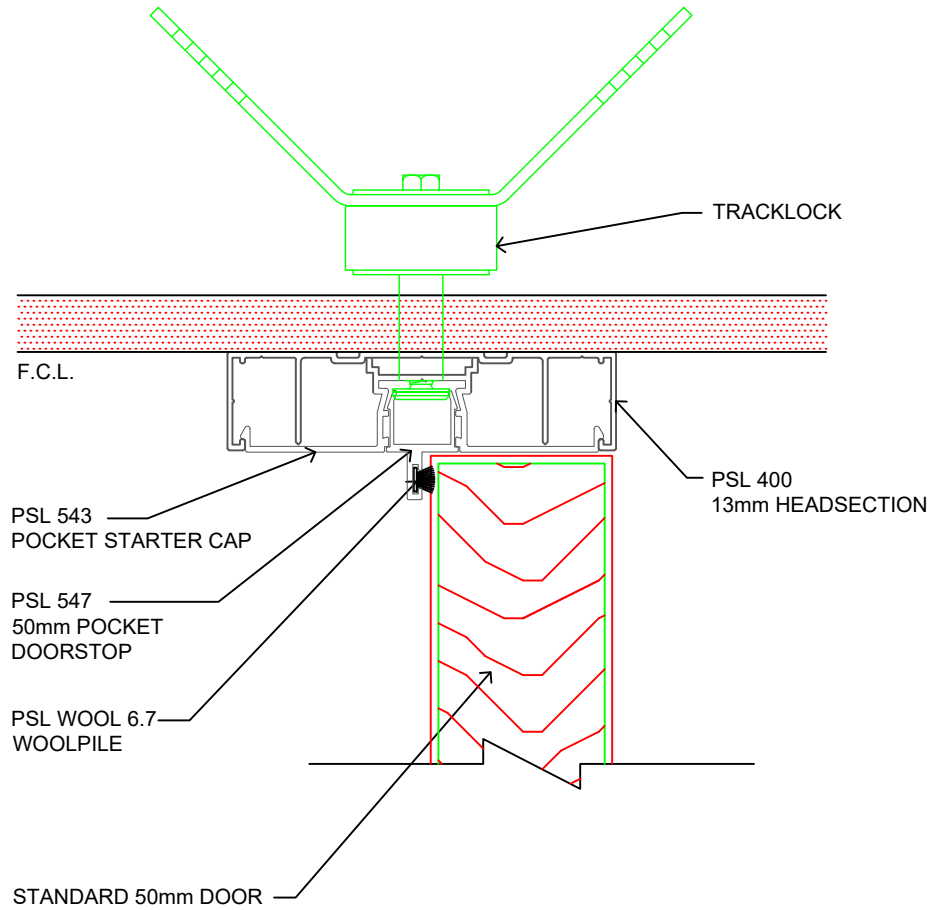


For more information regarding this profile, visit: www.autexpsl.co.nz

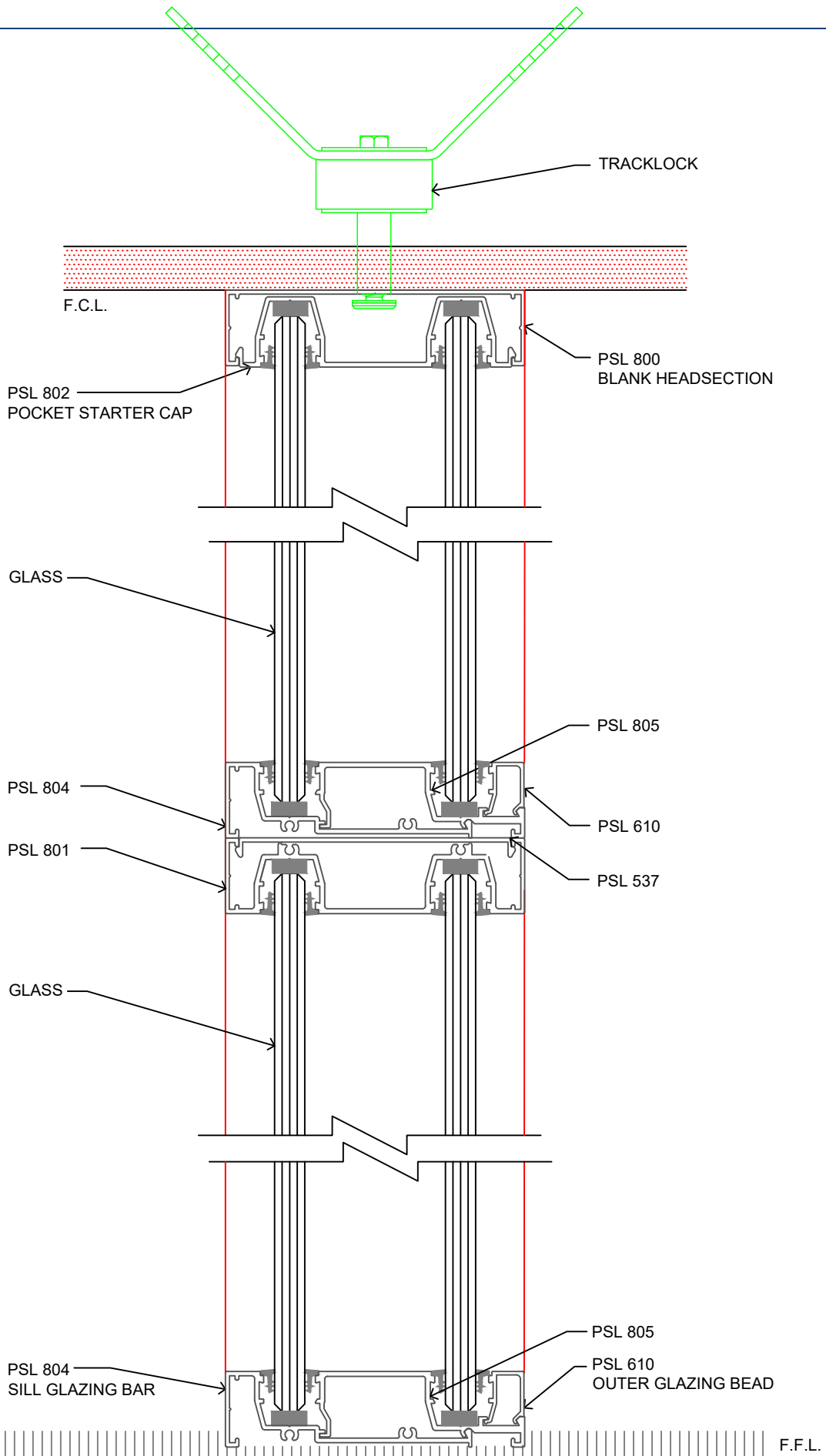
Autex PSL LTD, Private Bag 19988, Avondale 1746, Auckland
 Freephone 0800 82 80 80, sales@autexpsl.co.nz

© Images are copyright & property of Autex PSL Limited





ALEMENT 64 EDGE SERIES
 STANDARD DETAILS
 64mm ALEMENT EDGE DOUBLE GLAZING



For more information regarding this profile, visit: www.autexpsl.co.nz

Autex PSL LTD, Private Bag 19988, Avondale 1746, Auckland

Freephone 0800 82 80 80, sales@autexpsl.co.nz

© Images are copyright & property of Autex PSL Limited