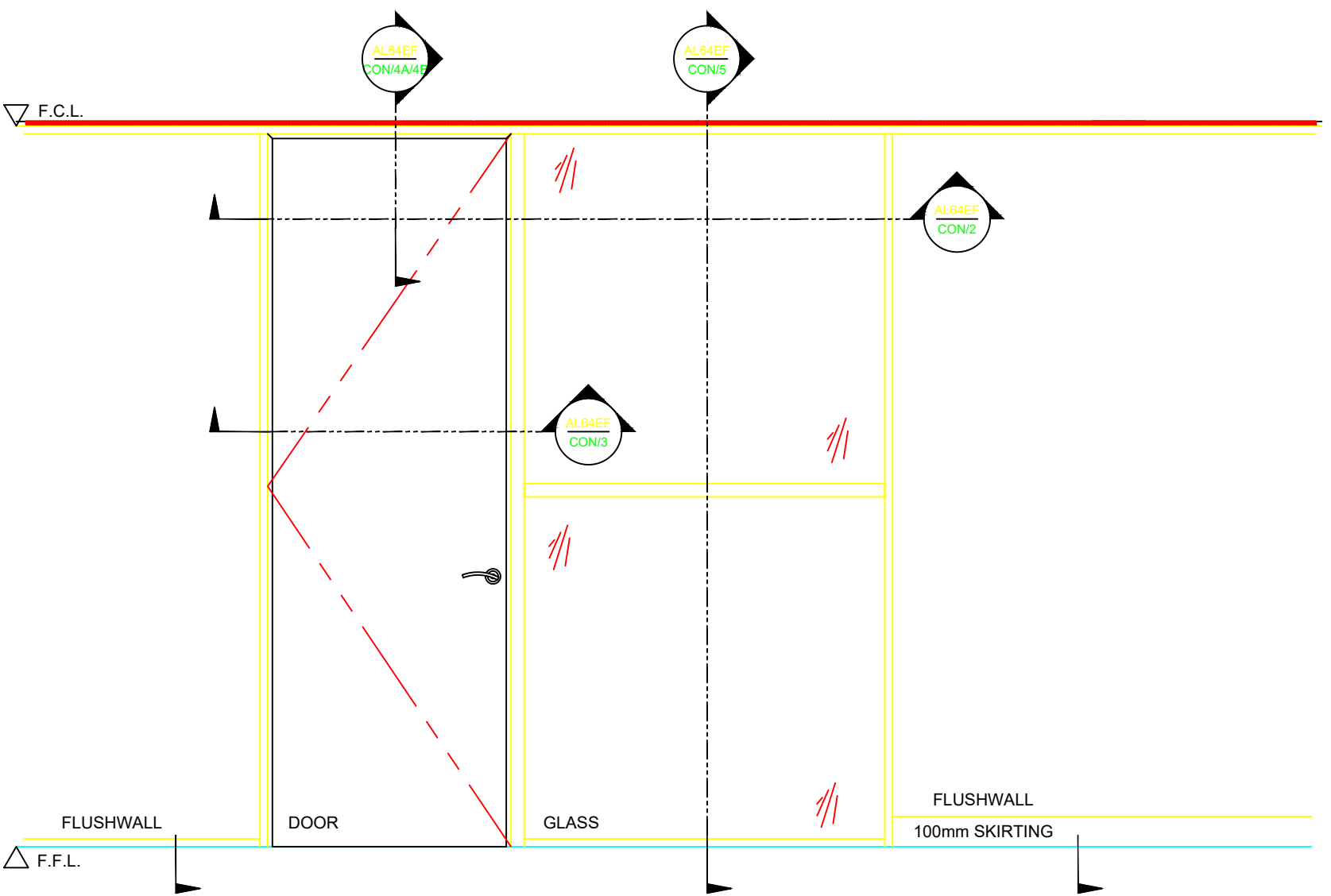


For more information regarding this profile, visit: www.autexpsl.co.nz

Autex PSL LTD, Private Bag 19988, Avondale 1746, Auckland
 Freephone 0800 82 80 80, sales@autexpsl.co.nz

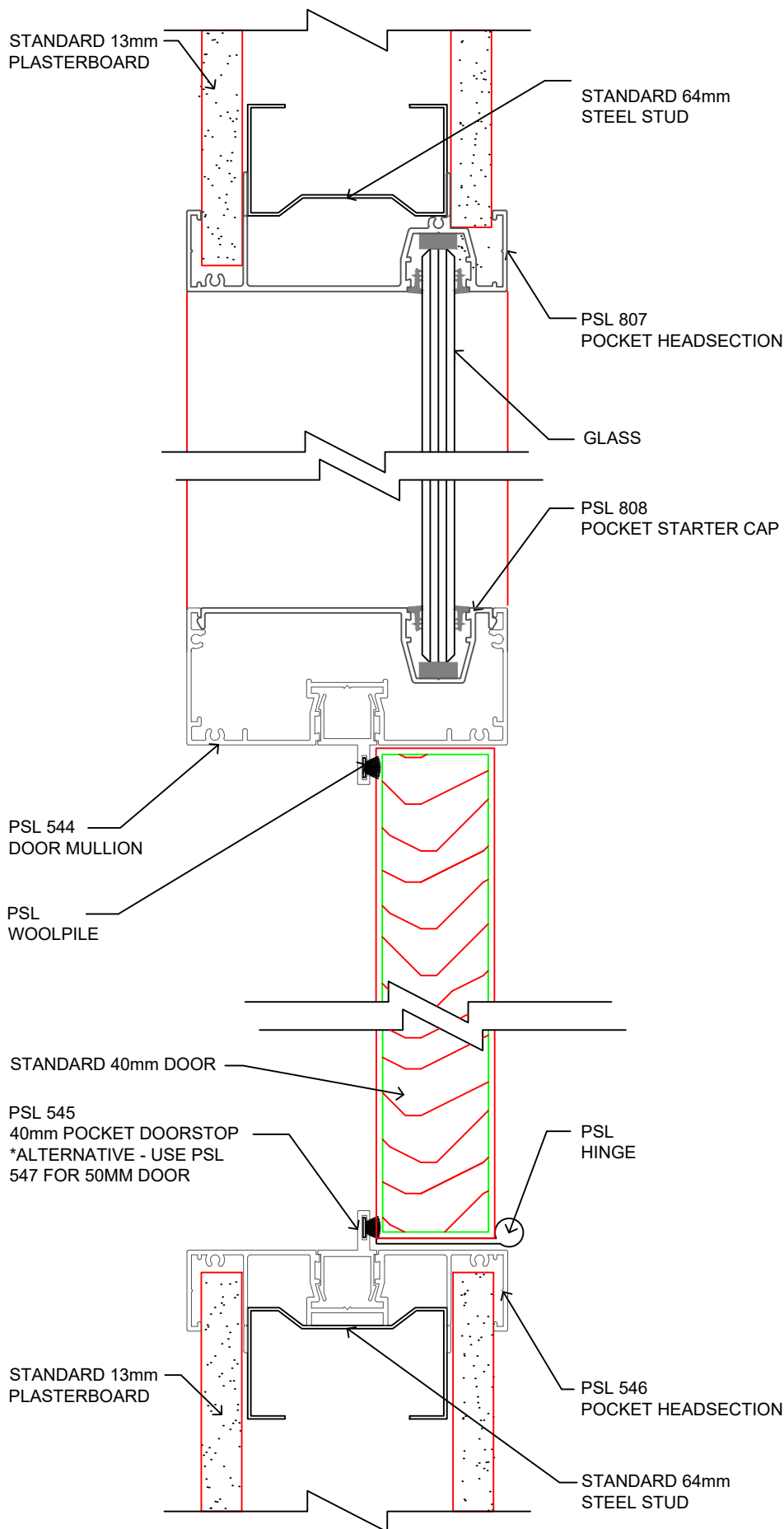


For more information regarding this profile, visit: www.autexpsl.co.nz

Autex PSL LTD, Private Bag 19988, Avondale 1746, Auckland

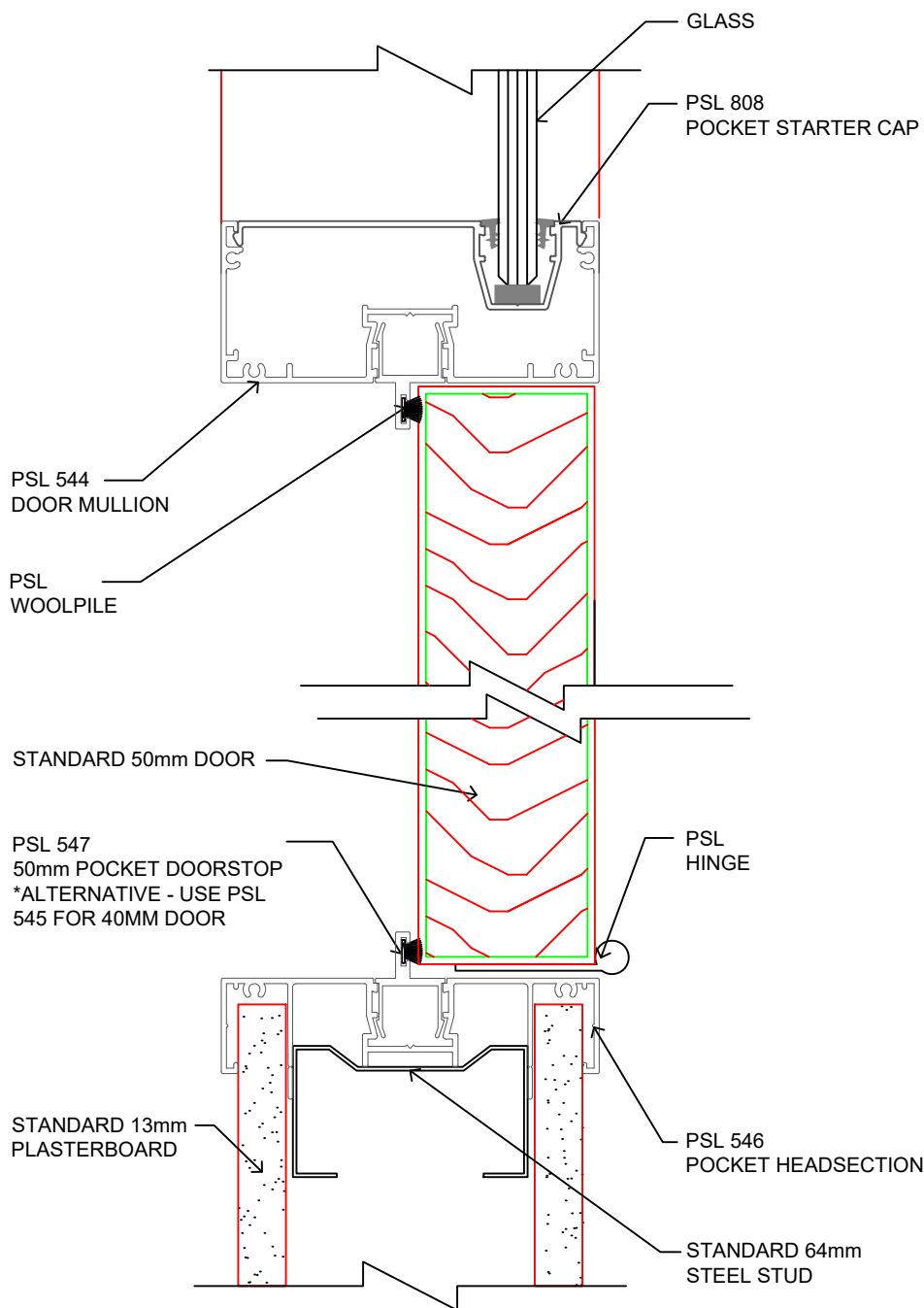
Freephone 0800 82 80 80, sales@autexpsl.co.nz

© Images are copyright & property of Autex PSL Limited



For more information regarding this profile, visit: www.autexpsl.co.nz

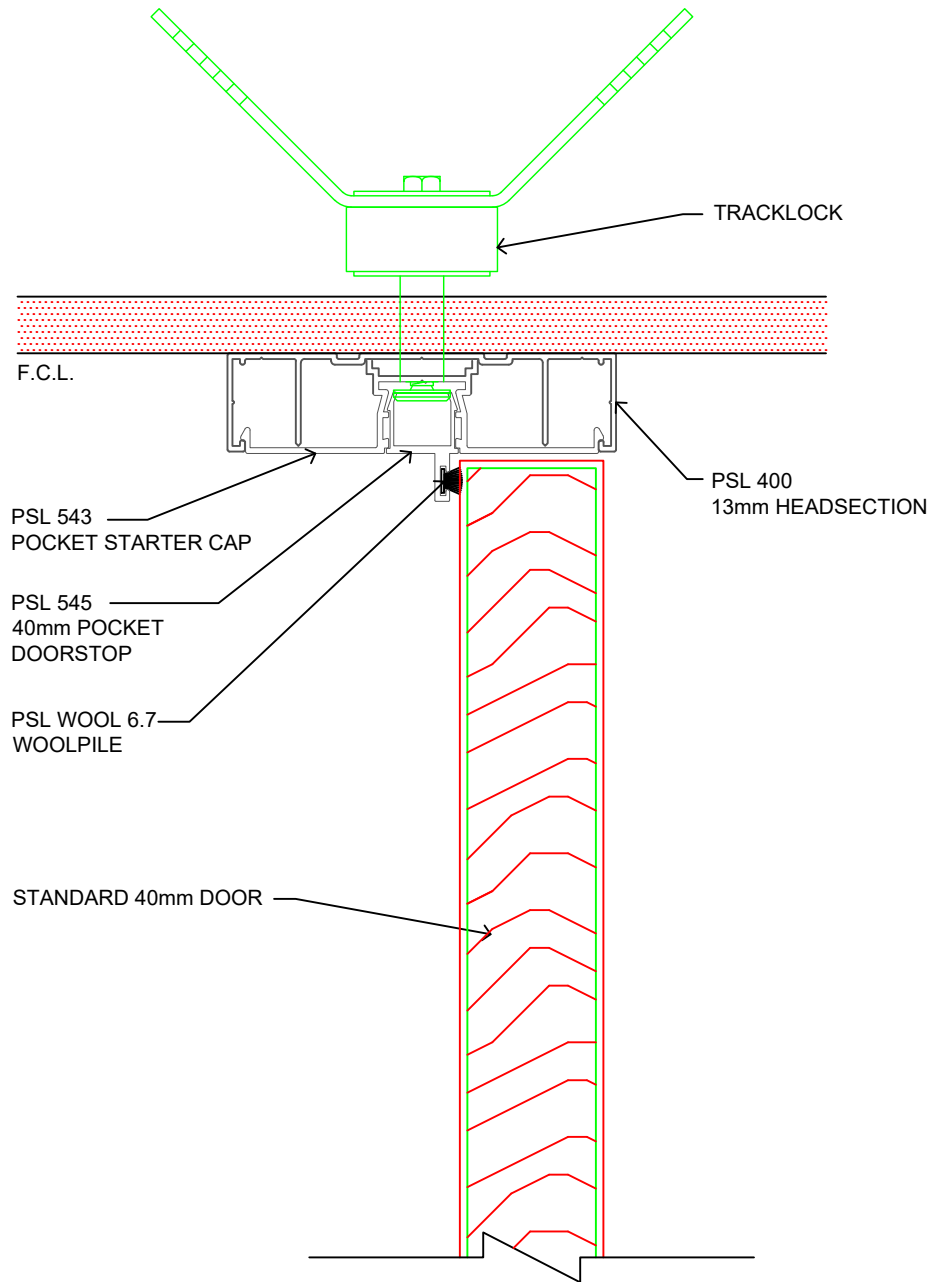
Autex PSL LTD, Private Bag 19988, Avondale 1746, Auckland
 Freephone 0800 82 80 80, sales@autexpsl.co.nz

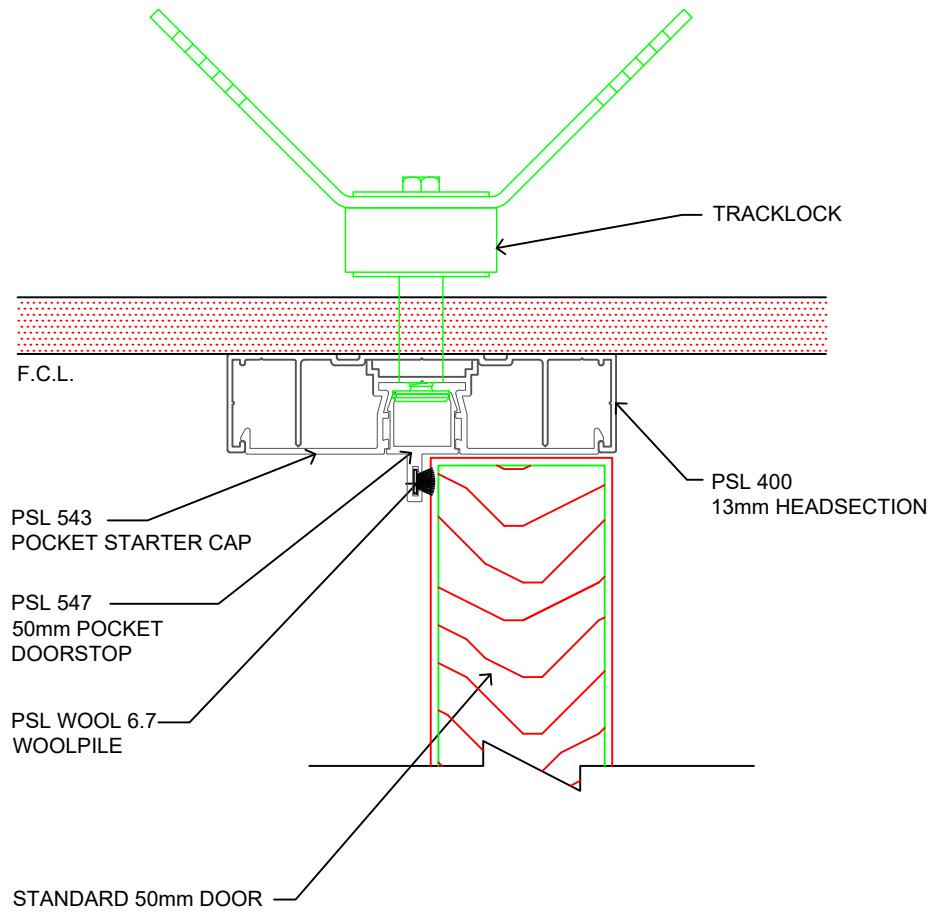


For more information regarding this profile, visit: www.autexpsl.co.nz

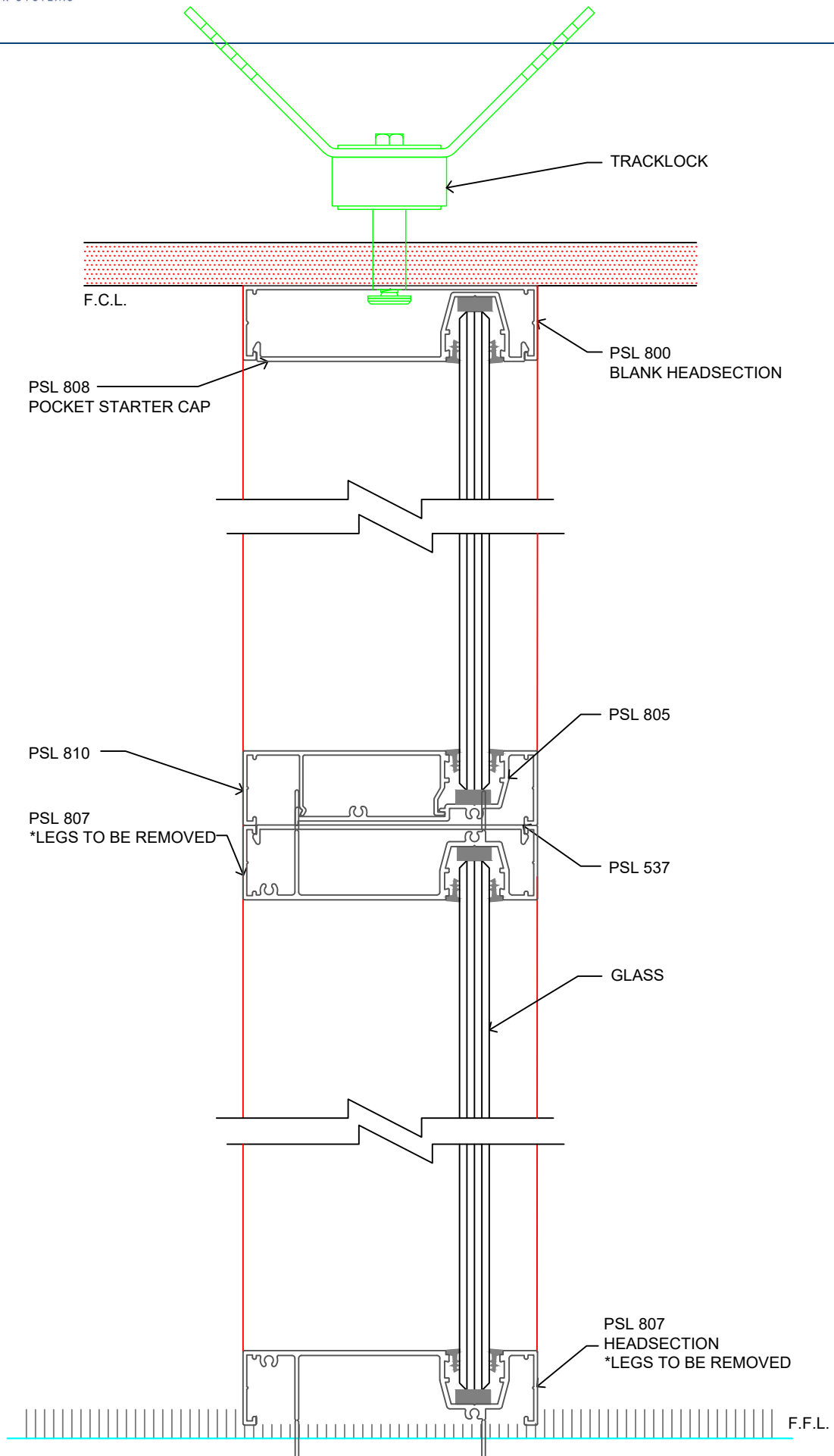
Autex PSL LTD, Private Bag 19988, Avondale 1746, Auckland
 Freephone 0800 82 80 80, sales@autexpsl.co.nz

© Images are copyright & property of Autex PSL Limited





ALEMENT 64 EDGE SERIES
STANDARD DETAILS
64mm ALEMENT EDGE FRONT GLAZING



For more information regarding this profile, visit: www.autexpsl.co.nz

Autex PSL LTD, Private Bag 19988, Avondale 1746, Auckland
 Freephone 0800 82 80 80, sales@autexpsl.co.nz