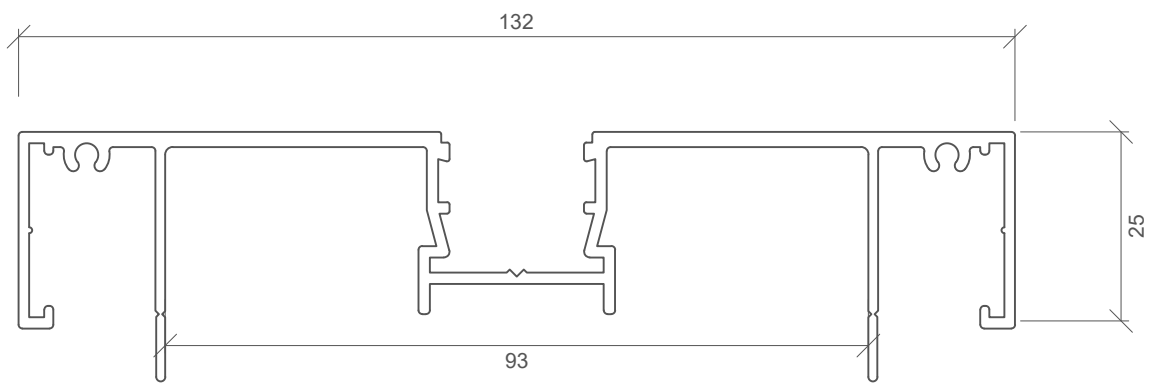
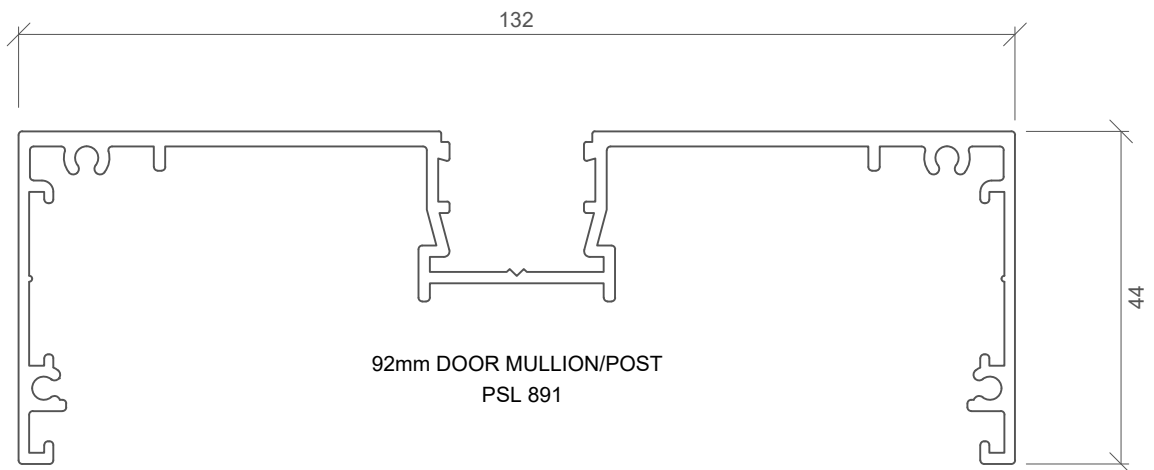


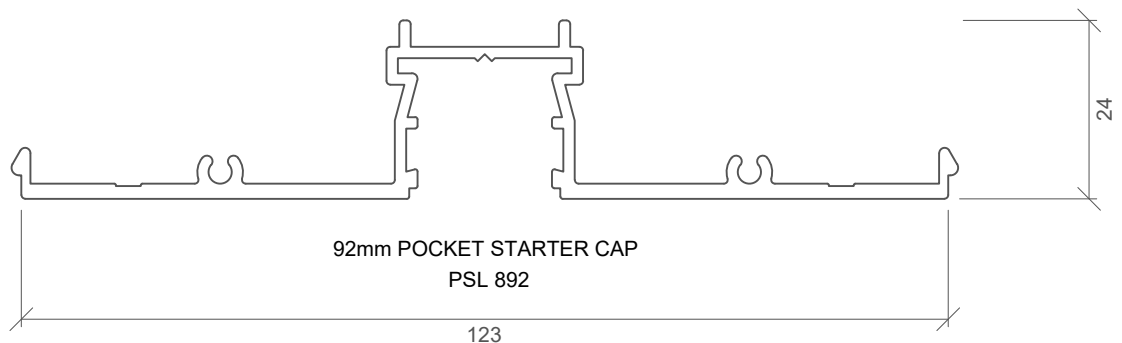
92mm HEADSECTION  
PSL 420



92mm POCKET HEADSECTION  
PSL 890



92mm DOOR MULLION/POST  
PSL 891



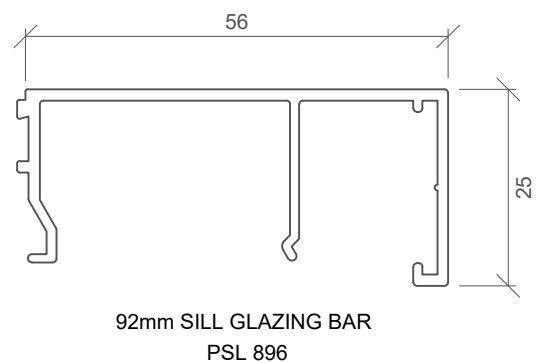
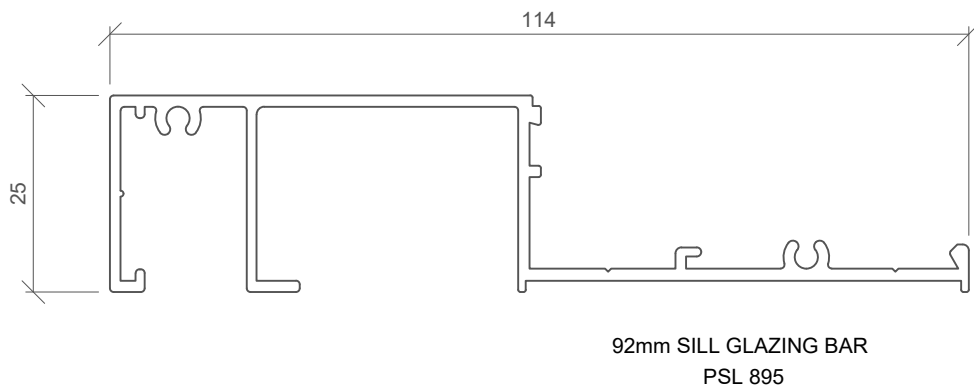
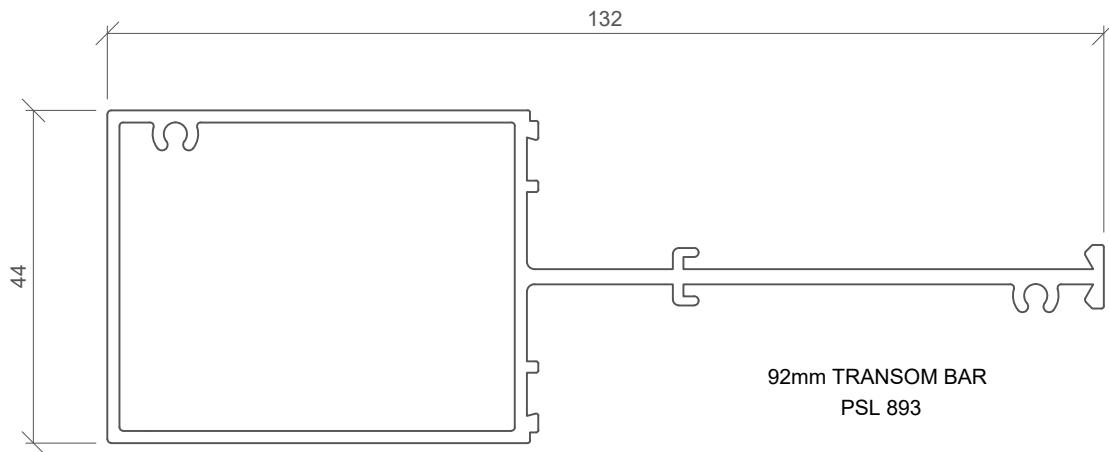
92mm POCKET STARTER CAP  
PSL 892

For more information regarding this profile, visit: [www.autexpsl.co.nz](http://www.autexpsl.co.nz)

Autex PSL LTD, Private Bag 19988, Avondale 1746, Auckland

Freephone 0800 82 80 80, [sales@autexpsl.co.nz](mailto:sales@autexpsl.co.nz)

© Images are copyright & property of Autex PSL Limited

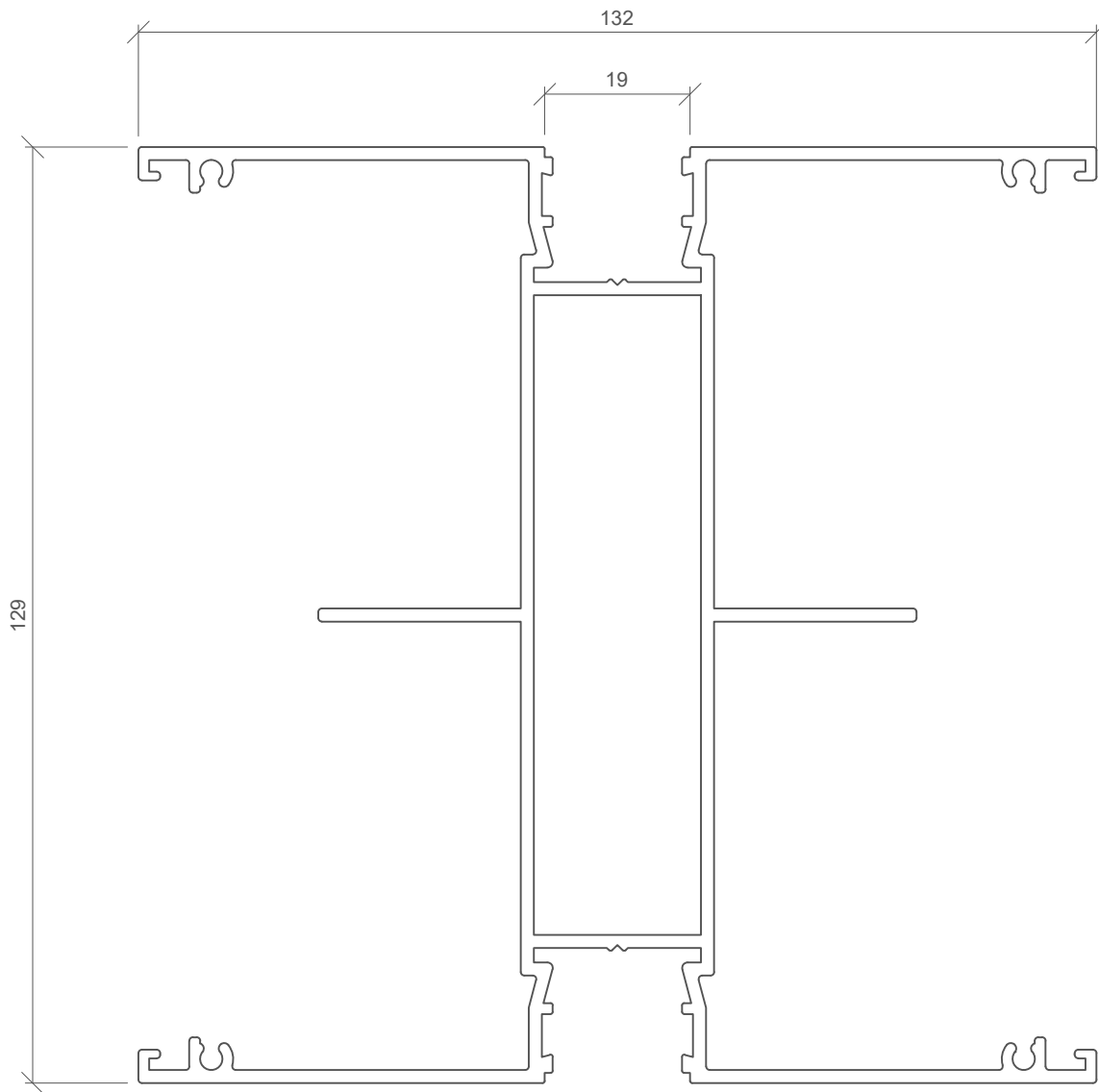


For more information regarding this profile, visit: [www.autexpsl.co.nz](http://www.autexpsl.co.nz)

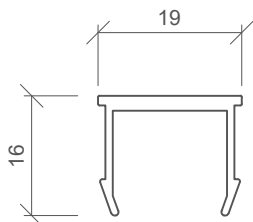
Autex PSL LTD, Private Bag 19988, Avondale 1746, Auckland

Freephone 0800 82 80 80, [sales@autexpsl.co.nz](mailto:sales@autexpsl.co.nz)

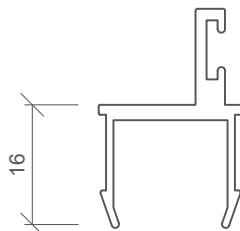
© Images are copyright & property of Autex PSL Limited



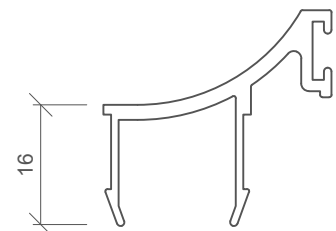
92mm MULTIPOST  
PSL 897



POCKET FLUSH INFILL  
PSL 648



POCKET DOOR STOP  
40mm DOOR  
PSL 545

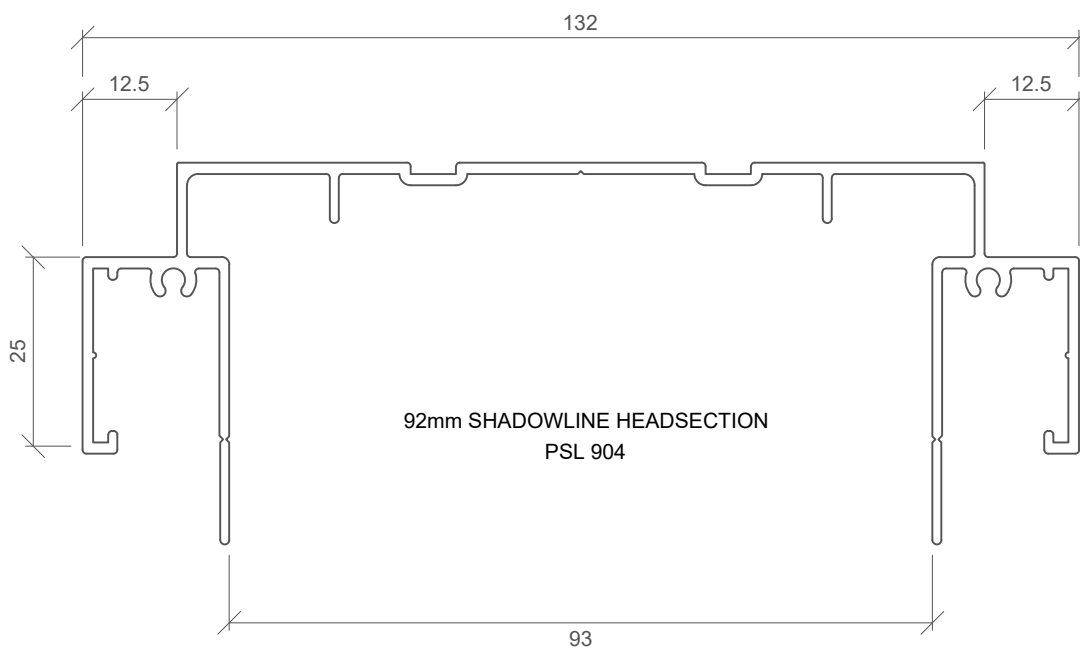
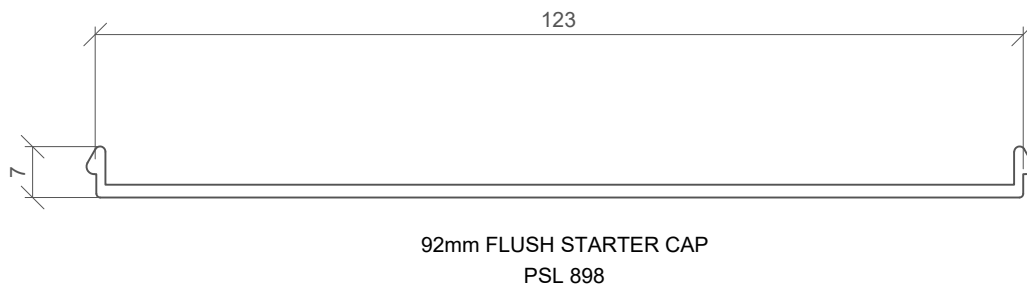
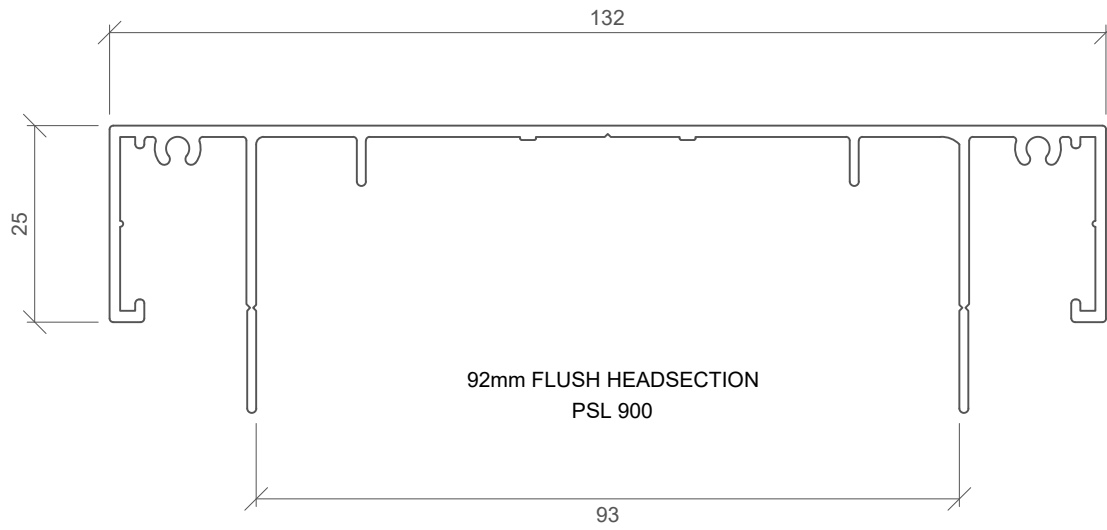


POCKET DOOR STOP  
40mm DOOR  
PSL 901

For more information regarding this profile, visit: [www.autexpsl.co.nz](http://www.autexpsl.co.nz)

Autex PSL LTD, Private Bag 19988, Avondale 1746, Auckland  
Freephone 0800 82 80 80, [sales@autexpsl.co.nz](mailto:sales@autexpsl.co.nz)

© Images are copyright & property of Autex PSL Limited

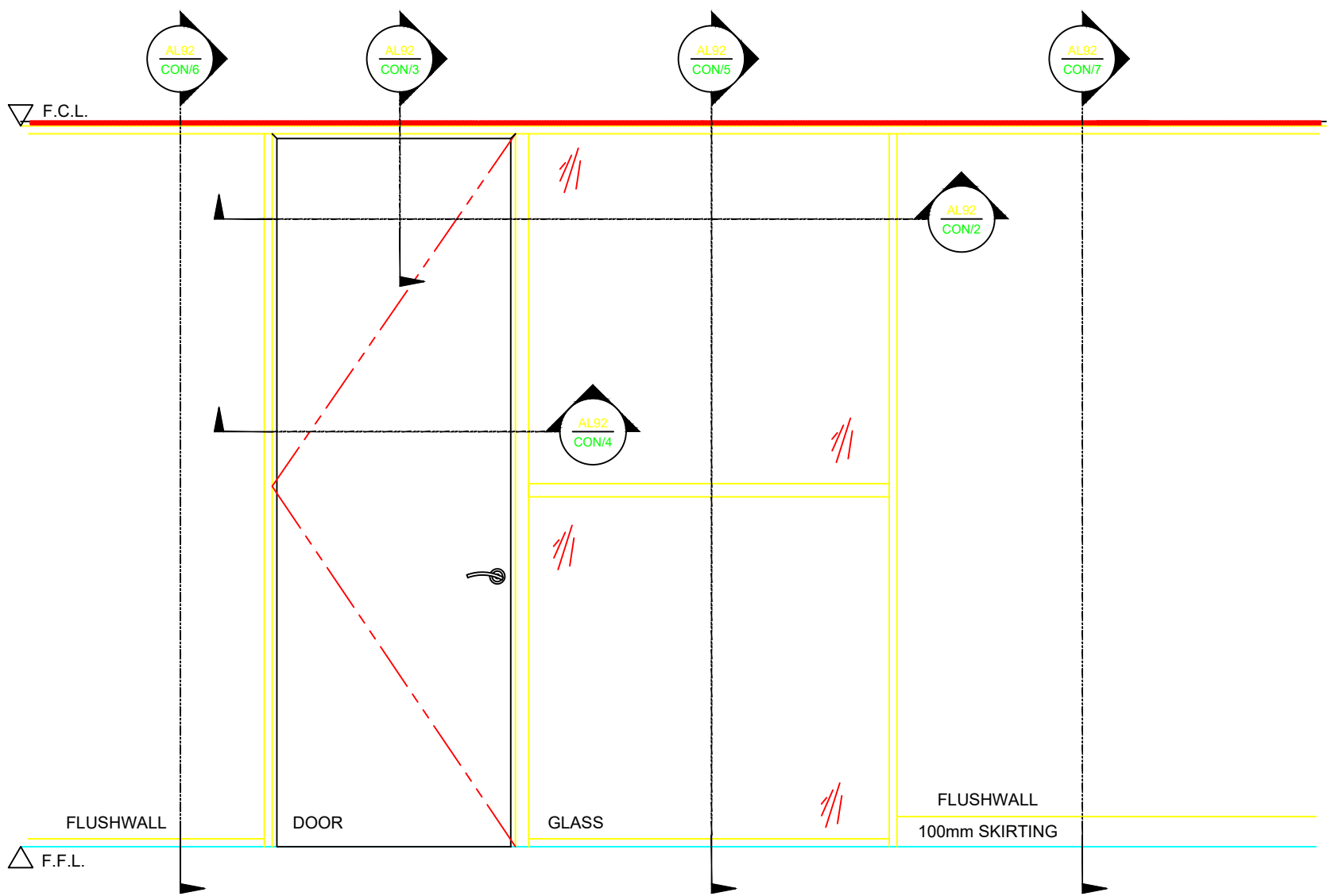


For more information regarding this profile, visit: [www.autexpsl.co.nz](http://www.autexpsl.co.nz)

Autex PSL LTD, Private Bag 19988, Avondale 1746, Auckland

Freephone 0800 82 80 80, [sales@autexpsl.co.nz](mailto:sales@autexpsl.co.nz)

© Images are copyright & property of Autex PSL Limited

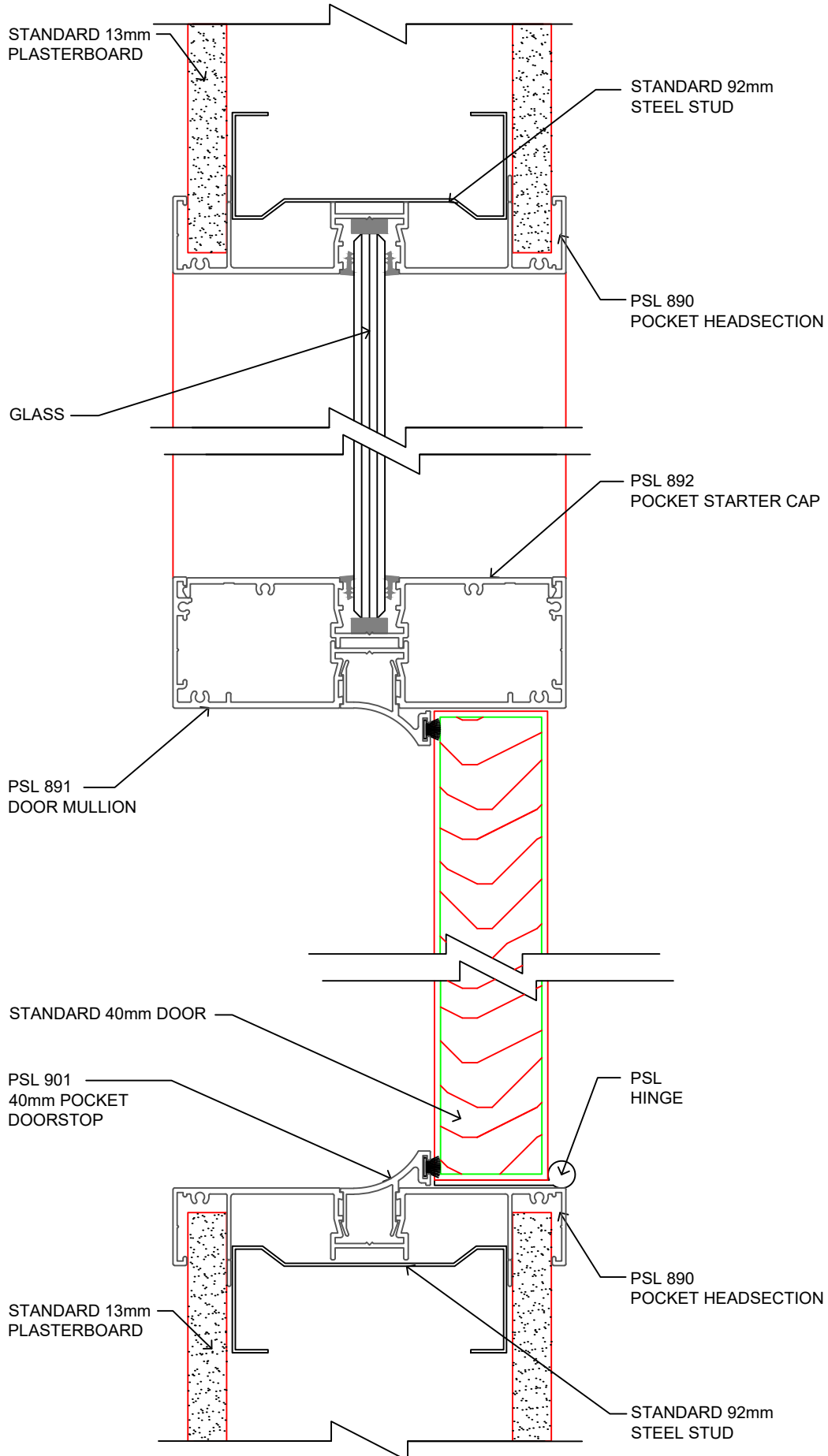


For more information regarding this profile, visit: [www.autexpsl.co.nz](http://www.autexpsl.co.nz)

Autex PSL LTD, Private Bag 19988, Avondale 1746, Auckland

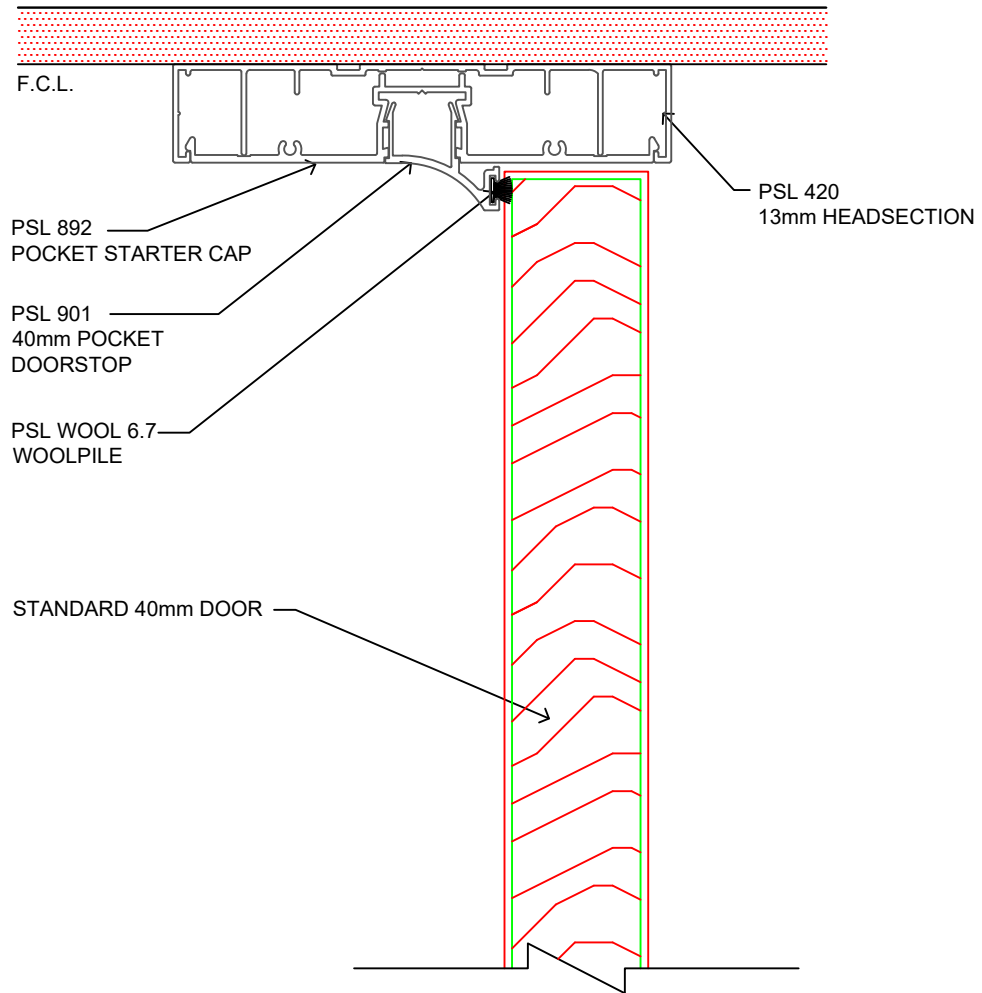
Freephone 0800 82 80 80, [sales@autexpsl.co.nz](mailto:sales@autexpsl.co.nz)

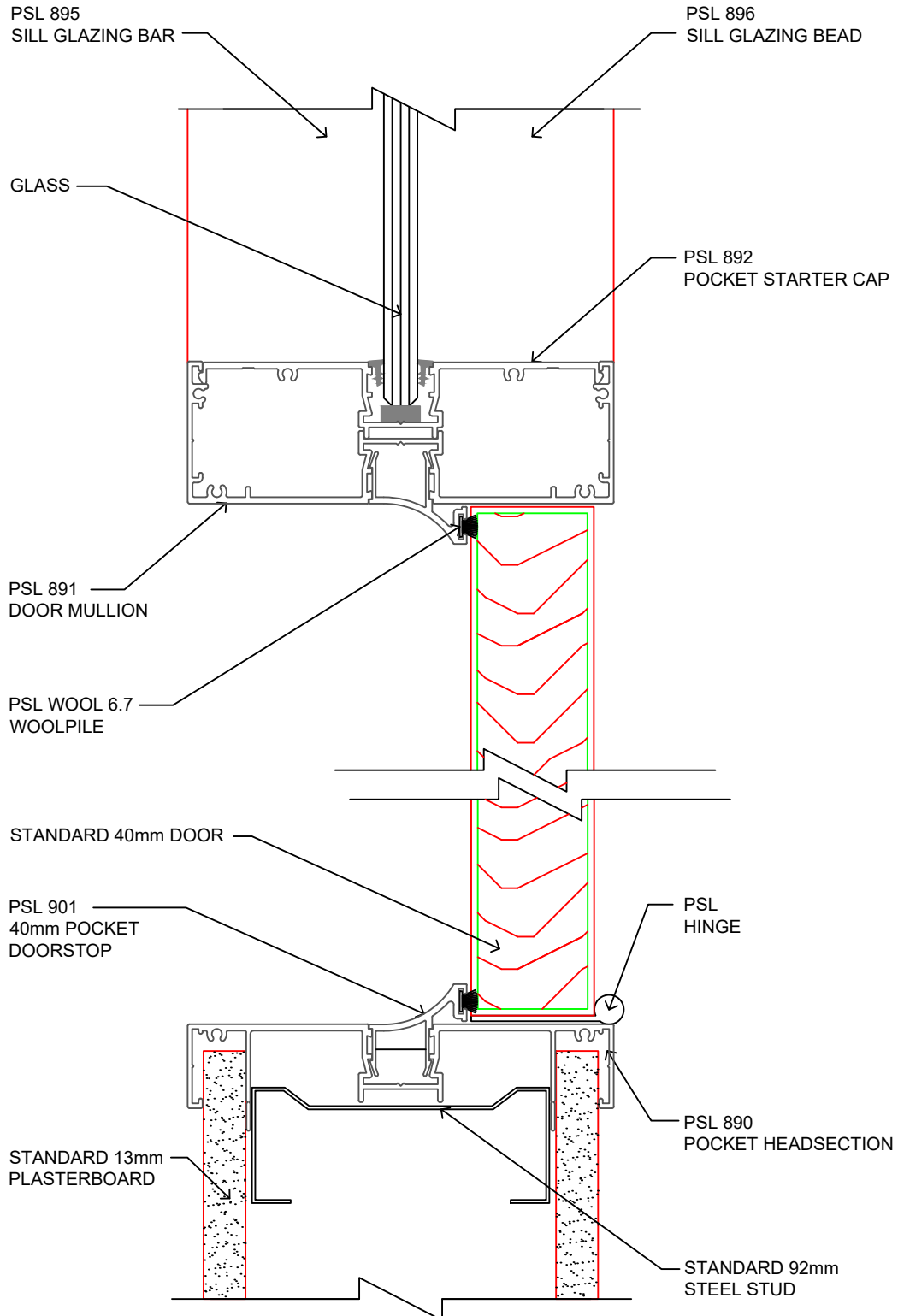
© Images are copyright & property of Autex PSL Limited



For more information regarding this profile, visit: [www.autexpsl.co.nz](http://www.autexpsl.co.nz)

Autex PSL LTD, Private Bag 19988, Avondale 1746, Auckland  
 Freephone 0800 82 80 80, [sales@autexpsl.co.nz](mailto:sales@autexpsl.co.nz)



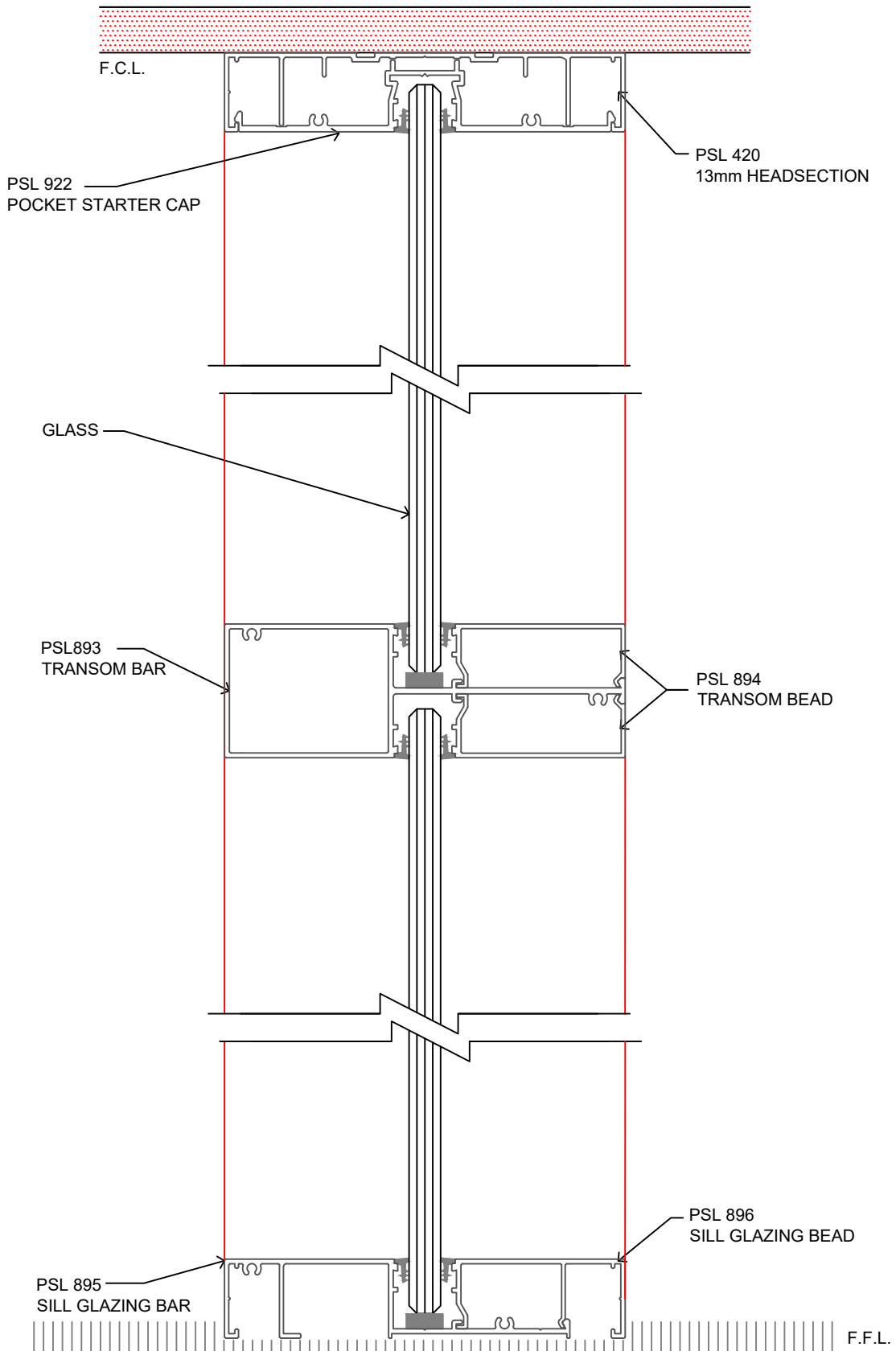


For more information regarding this profile, visit: [www.autexpsl.co.nz](http://www.autexpsl.co.nz)

Autex PSL LTD, Private Bag 19988, Avondale 1746, Auckland  
 Freephone 0800 82 80 80, [sales@autexpsl.co.nz](mailto:sales@autexpsl.co.nz)

© Images are copyright & property of Autex PSL Limited





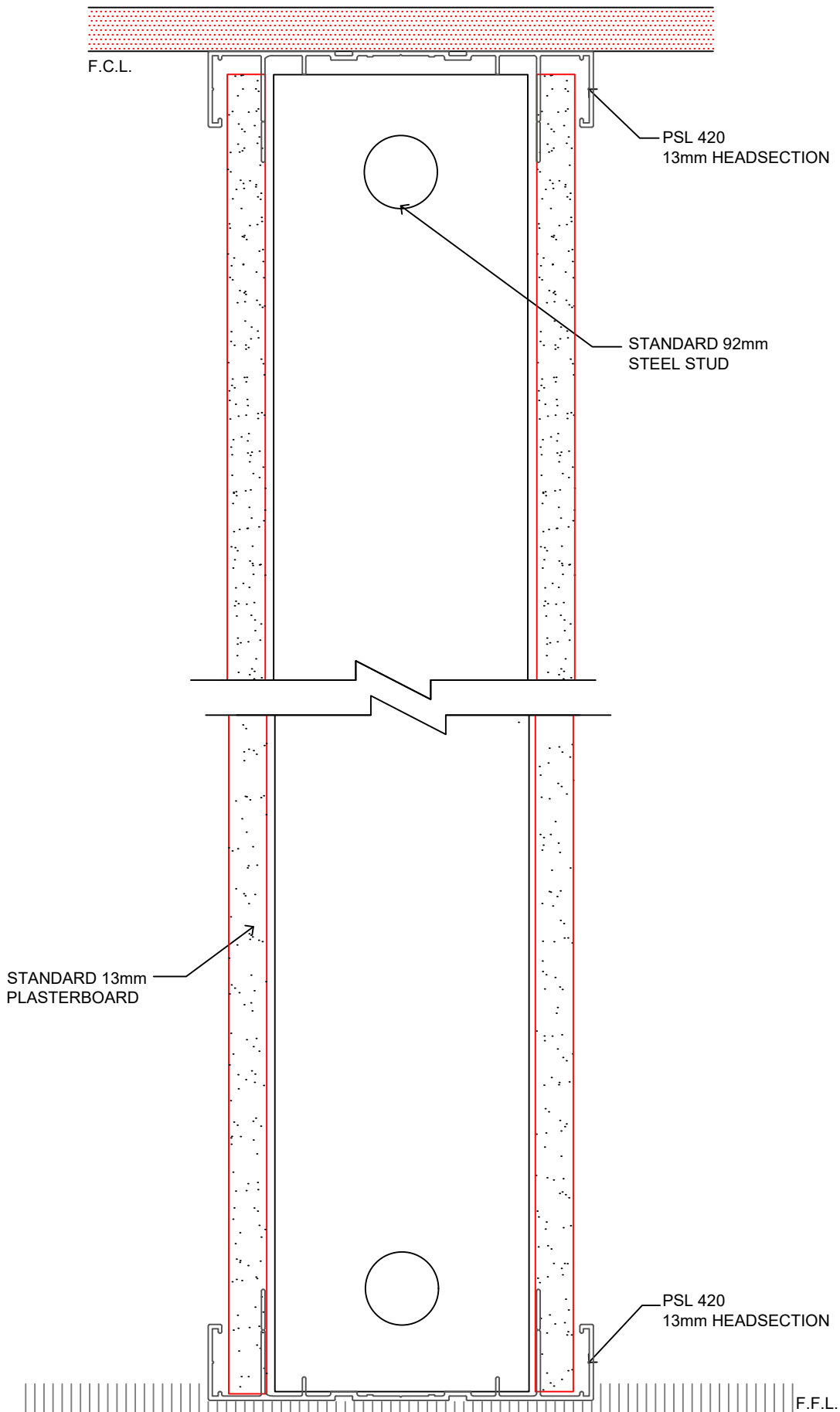
For more information regarding this profile, visit: [www.autexpsl.co.nz](http://www.autexpsl.co.nz)

Autex PSL LTD, Private Bag 19988, Avondale 1746, Auckland

Freephone 0800 82 80 80, [sales@autexpsl.co.nz](mailto:sales@autexpsl.co.nz)

© Images are copyright & property of Autex PSL Limited

ALEMENT 92 SERIES  
STANDARD DETAILS  
92mm STEEL STUD, 1 LAYER 13mm PLASTERBOARD

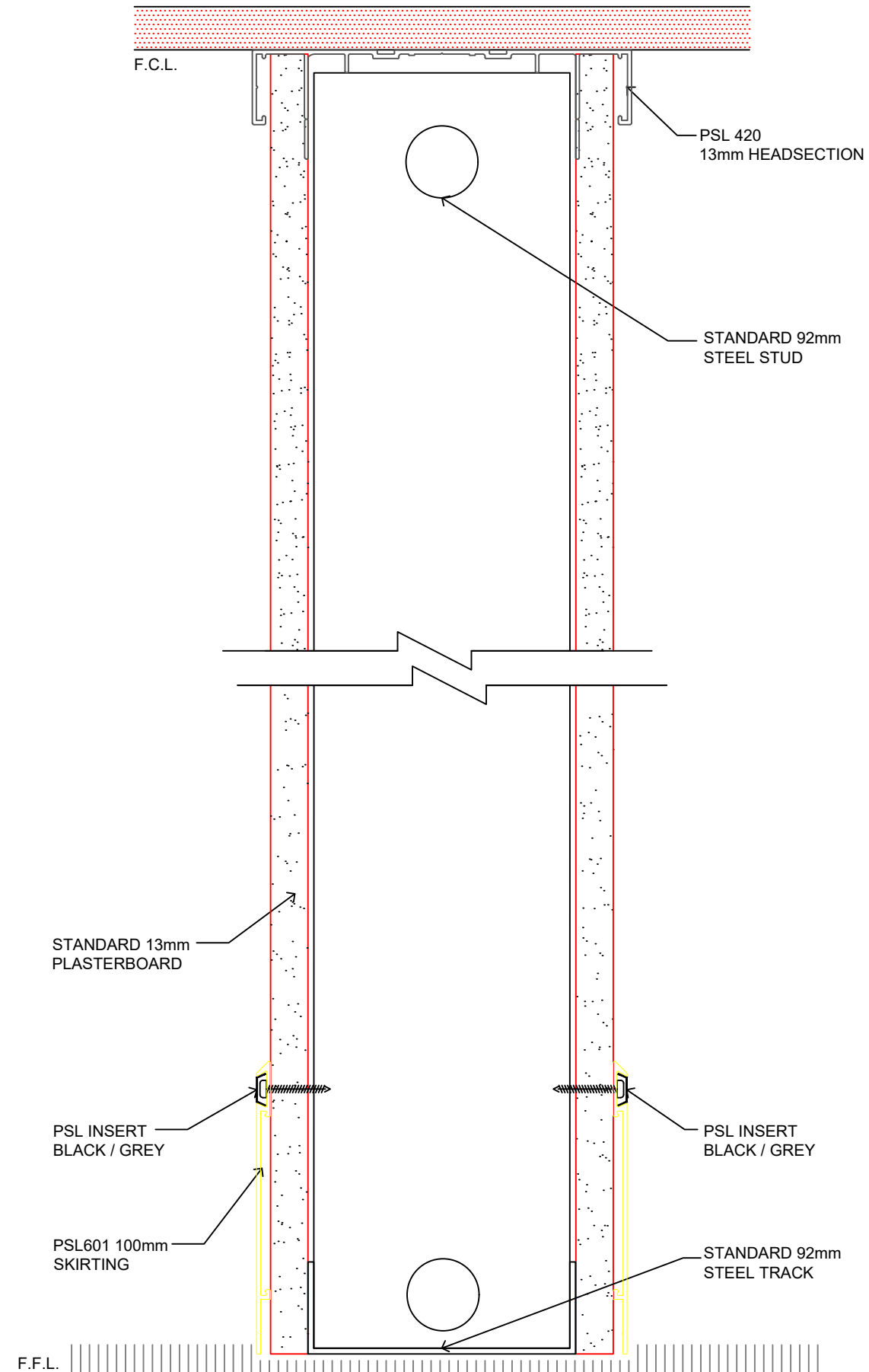


For more information regarding this profile, visit: [www.autexpsl.co.nz](http://www.autexpsl.co.nz)

Autex PSL LTD, Private Bag 19988, Avondale 1746, Auckland

Freephone 0800 82 80 80, [sales@autexpsl.co.nz](mailto:sales@autexpsl.co.nz)

© Images are copyright & property of Autex PSL Limited



For more information regarding this profile, visit: [www.autexpsl.co.nz](http://www.autexpsl.co.nz)

Autex PSL LTD, Private Bag 19988, Avondale 1746, Auckland  
Freephone 0800 82 80 80, [sales@autexpsl.co.nz](mailto:sales@autexpsl.co.nz)