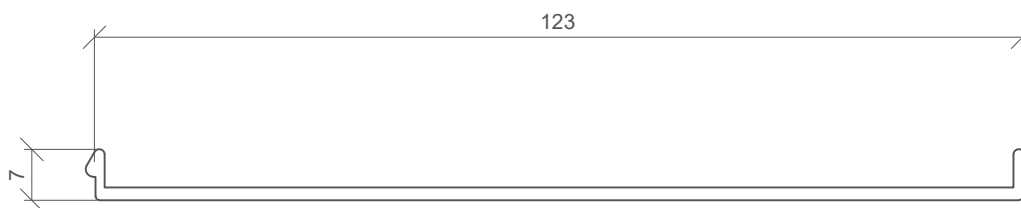
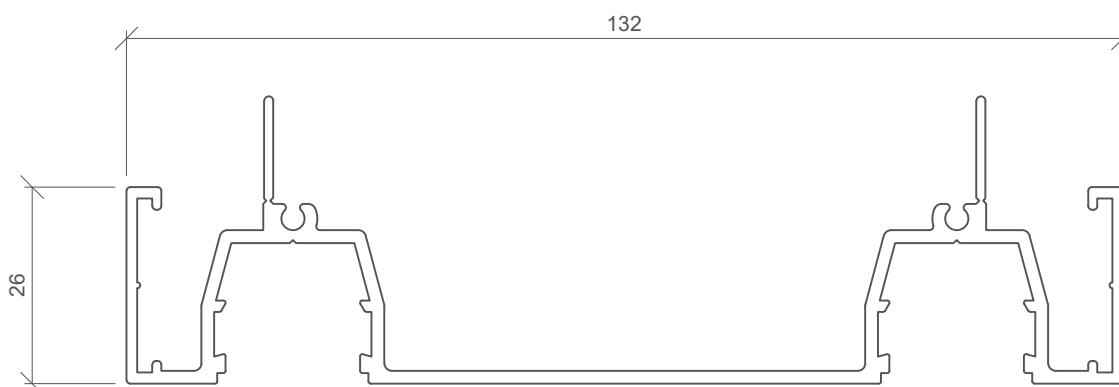


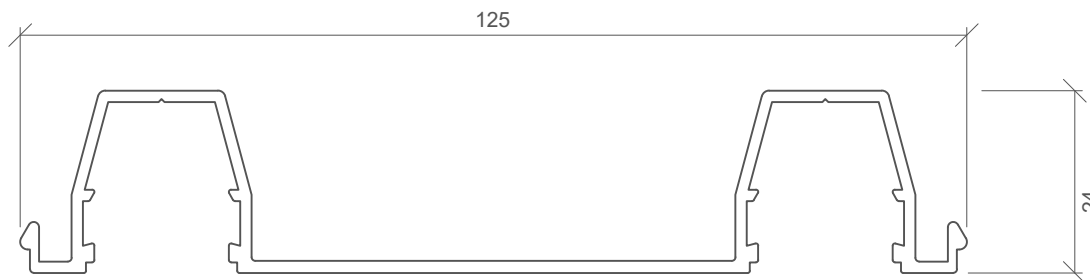
92mm BLANK HEADSECTION  
PSL 811



92mm FLUSH STARTER CAP  
PSL 898



92mm GLAZED POCKET HEADSECTION  
PSL 812

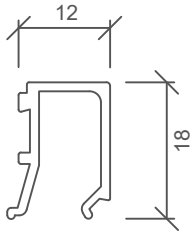


92mm DOUBLE EDGE GLAZED POCKET STARTER CAP  
PSL 813

For more information regarding this profile, visit: [www.autexpsl.co.nz](http://www.autexpsl.co.nz)

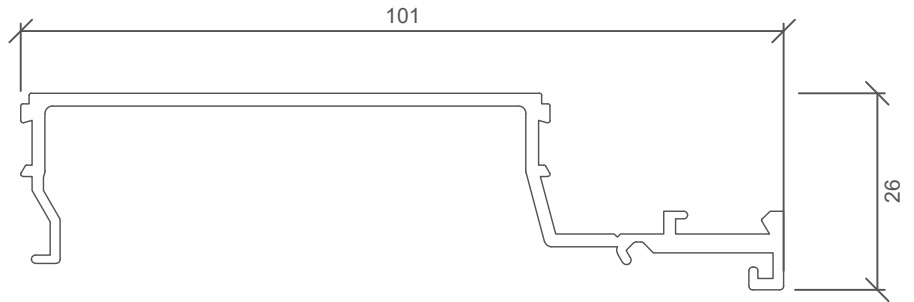
Autex PSL LTD, Private Bag 19988, Avondale 1746, Auckland  
Freephone 0800 82 80 80, [sales@autexpsl.co.nz](mailto:sales@autexpsl.co.nz)

© Images are copyright & property of Autex PSL Limited

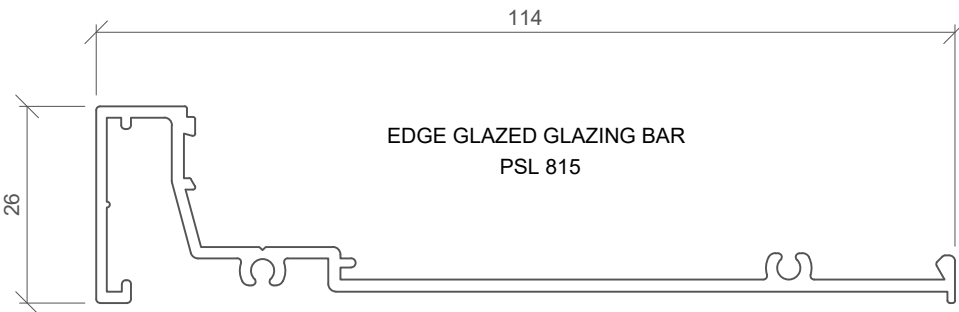


ALEMENT GLAZING BEAD  
PSL 610

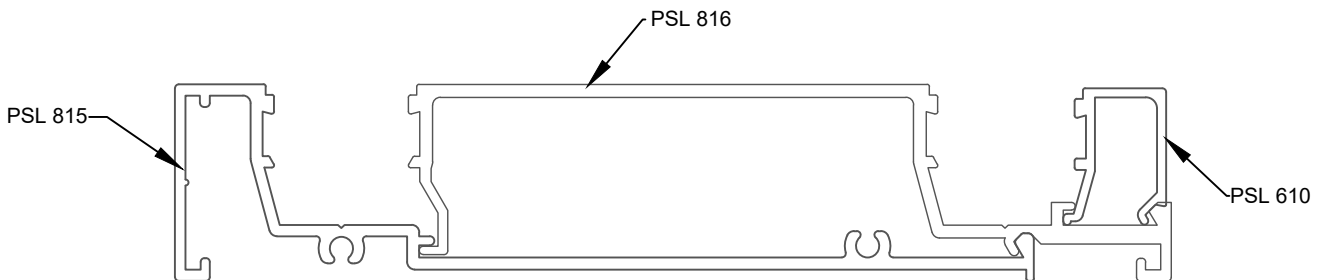
SUITS PSL 605, 630, 645, 670, 680, 776, 805, 816



EDGE GLAZED GLAZING BAR  
PSL 816

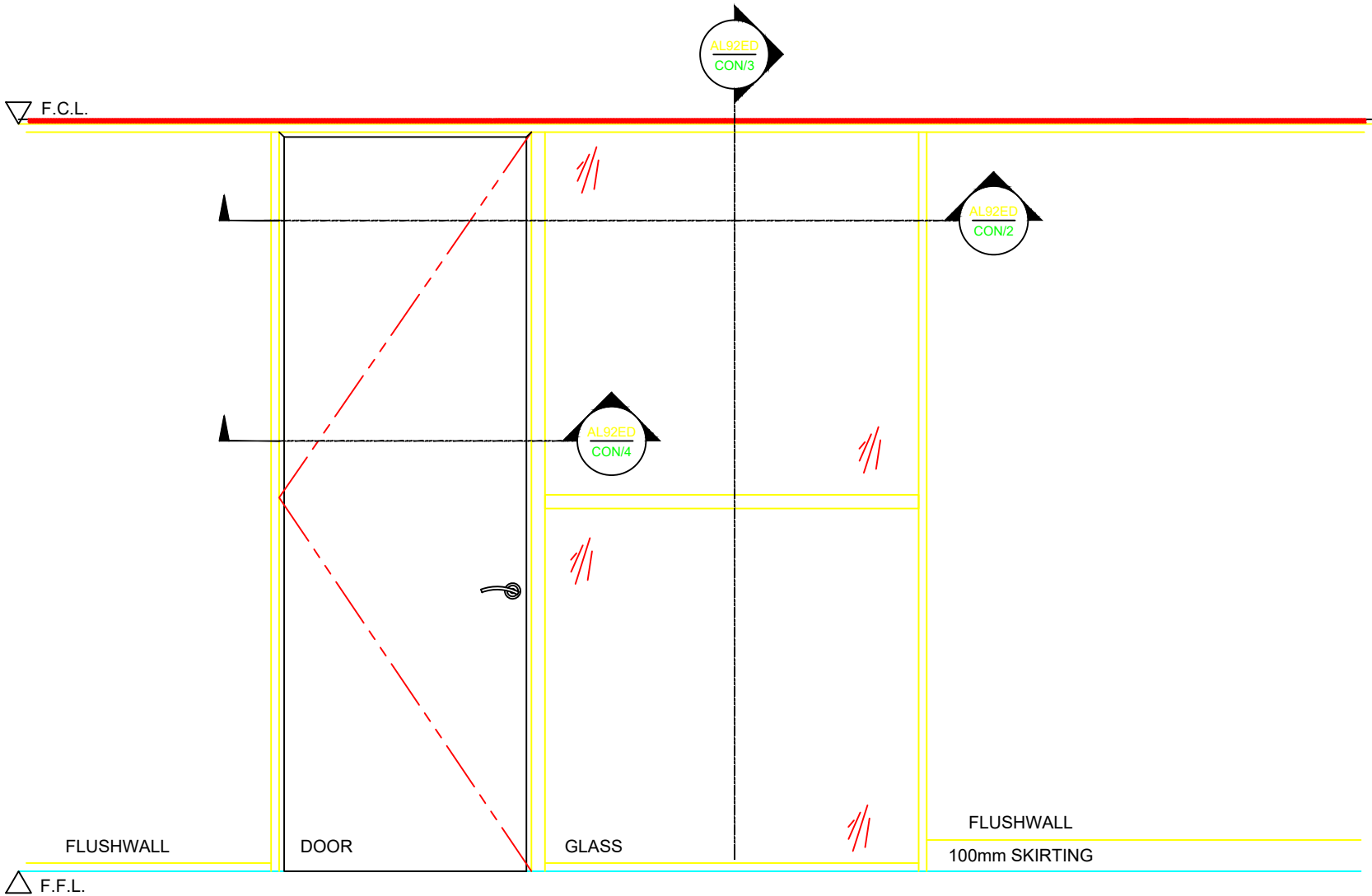


EDGE GLAZED GLAZING BAR  
PSL 815



For more information regarding this profile, visit: [www.autexpsl.co.nz](http://www.autexpsl.co.nz)

Autex PSL LTD, Private Bag 19988, Avondale 1746, Auckland  
Freephone 0800 82 80 80, [sales@autexpsl.co.nz](mailto:sales@autexpsl.co.nz)

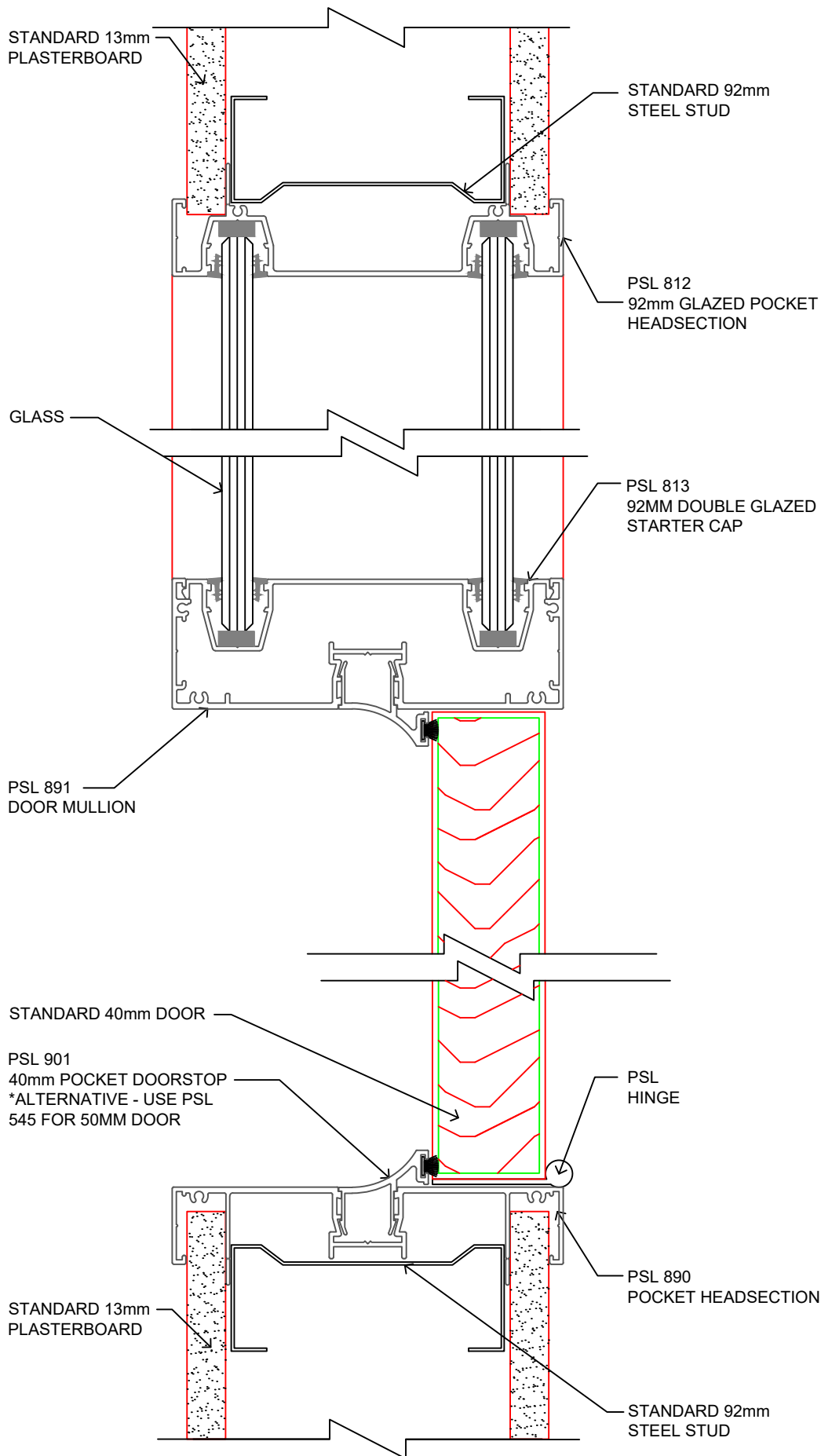


For more information regarding this profile, visit: [www.autexpsl.co.nz](http://www.autexpsl.co.nz)

Autex PSL LTD, Private Bag 19988, Avondale 1746, Auckland

Freephone 0800 82 80 80, [sales@autexpsl.co.nz](mailto:sales@autexpsl.co.nz)

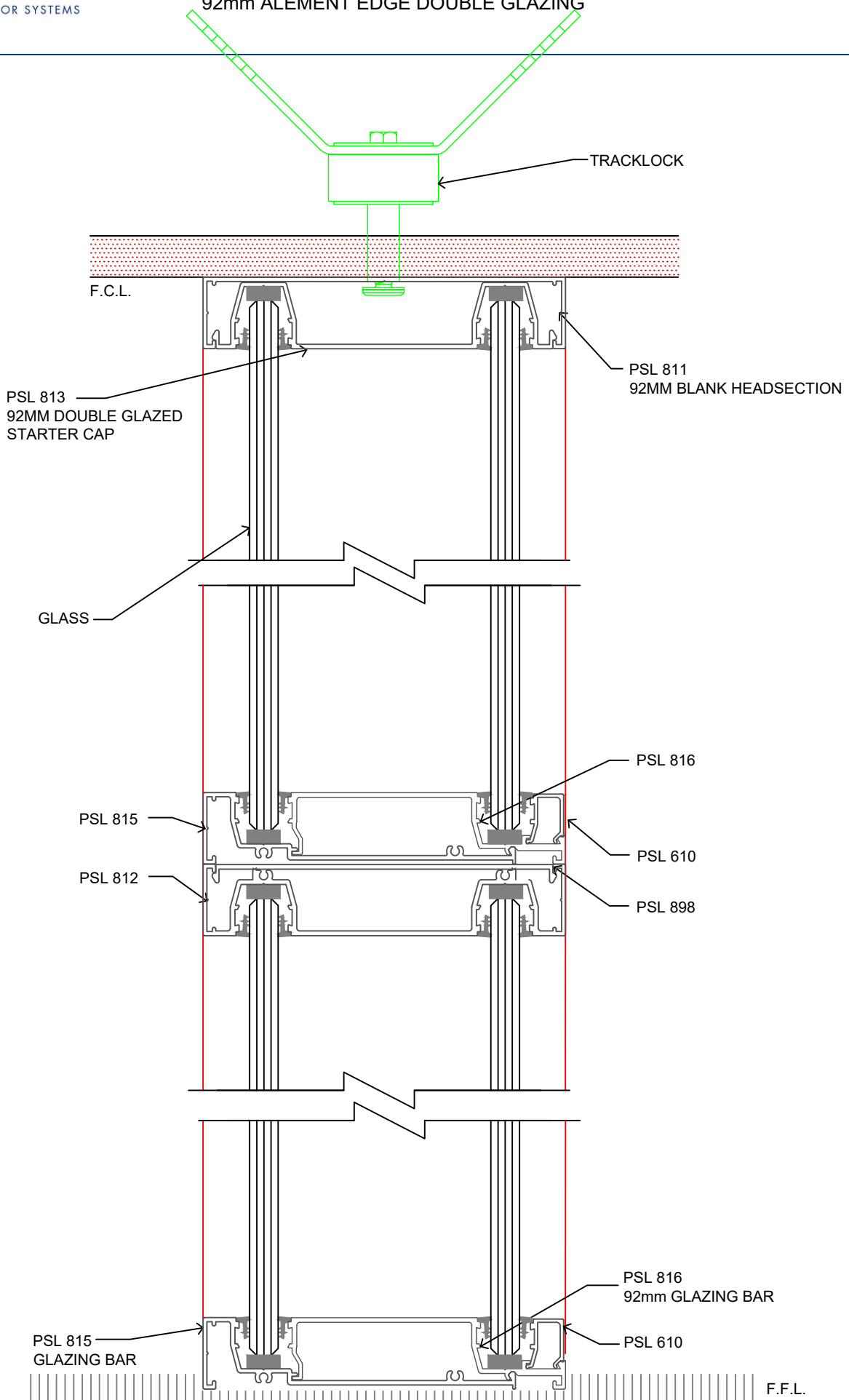
© Images are copyright & property of Autex PSL Limited



For more information regarding this profile, visit: [www.autexpsl.co.nz](http://www.autexpsl.co.nz)

Autex PSL LTD, Private Bag 19988, Avondale 1746, Auckland  
 Freephone 0800 82 80 80, [sales@autexpsl.co.nz](mailto:sales@autexpsl.co.nz)

**92mm ALEMENT EDGE DOUBLE GLAZING**

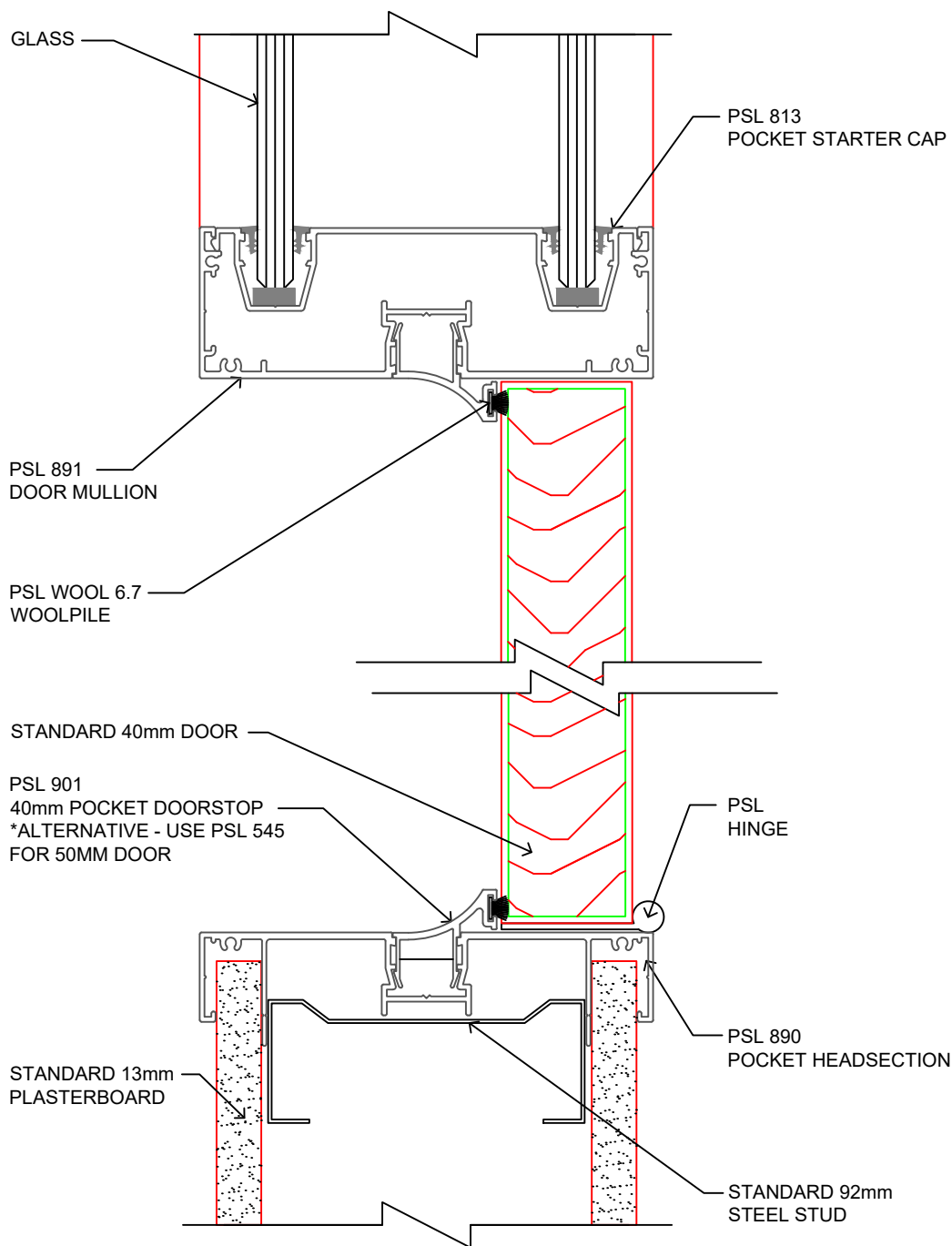


For more information regarding this profile, visit: [www.autexpsl.co.nz](http://www.autexpsl.co.nz)

Autex PSL LTD, Private Bag 19988, Avondale 1746, Auckland

Freephone 0800 82 80 80, [sales@autexpsl.co.nz](mailto:sales@autexpsl.co.nz)

© Images are copyright & property of Autex PSL Limited



For more information regarding this profile, visit: [www.autexpsl.co.nz](http://www.autexpsl.co.nz)

Autex PSL LTD, Private Bag 19988, Avondale 1746, Auckland  
 Freephone 0800 82 80 80, [sales@autexpsl.co.nz](mailto:sales@autexpsl.co.nz)

© Images are copyright & property of Autex PSL Limited