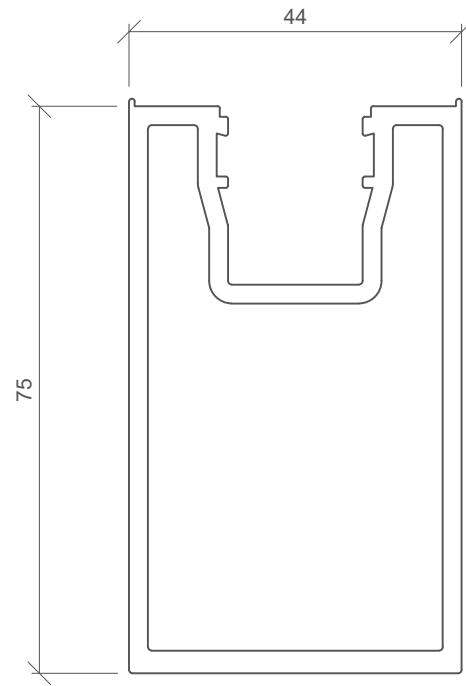
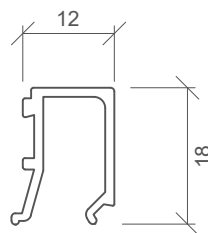


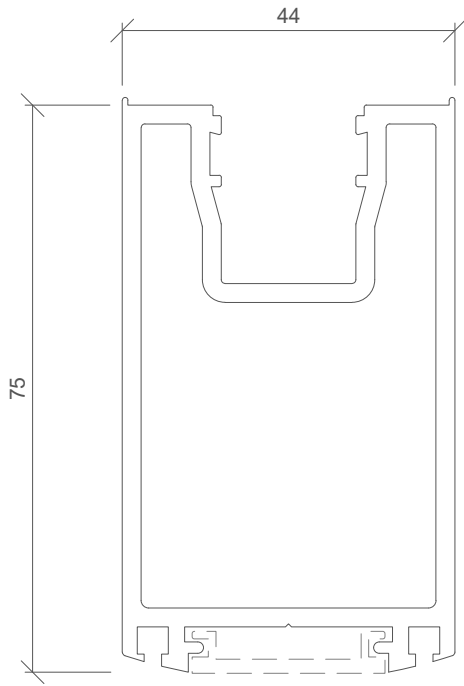
75mm TOP AND BOTTOM RAIL  
PSL 605



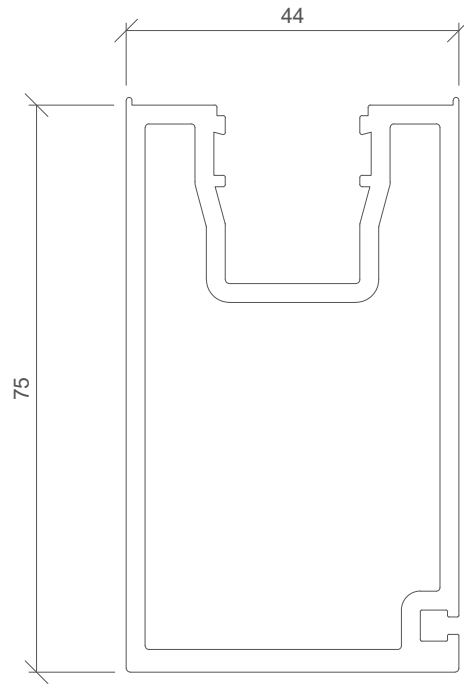
75mm HINGE STILE  
PSL 615



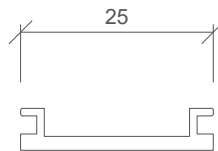
BEAD TO SUIT PSL 605  
PSL 610



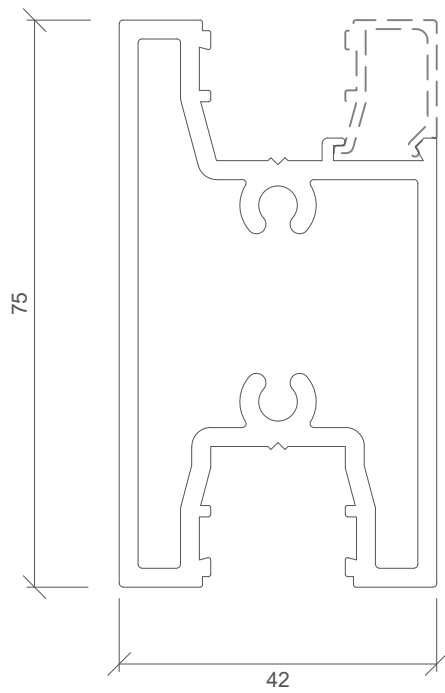
75mm LOCKSET STILE HINGED  
AND SLIDING DOOR  
PSL 620



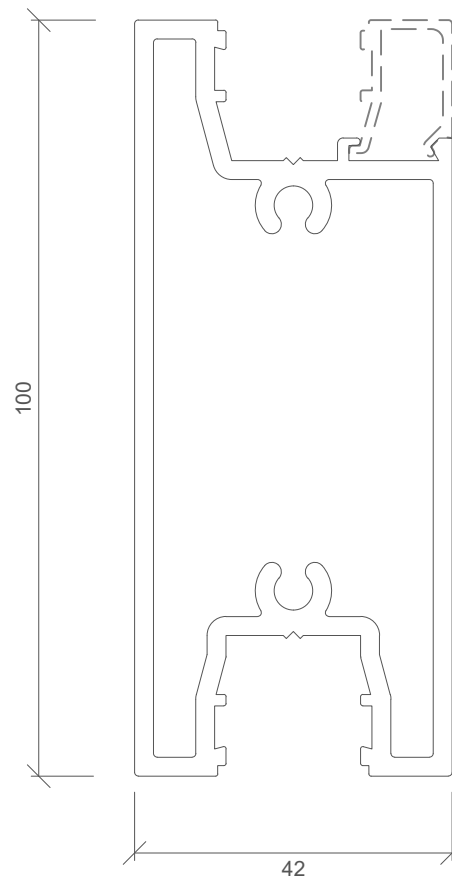
75mm CLOSING STILE  
SLIDING DOOR  
PSL 625



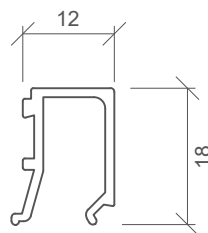
INFILL FOR CLOSING  
STILE  
PSL 640



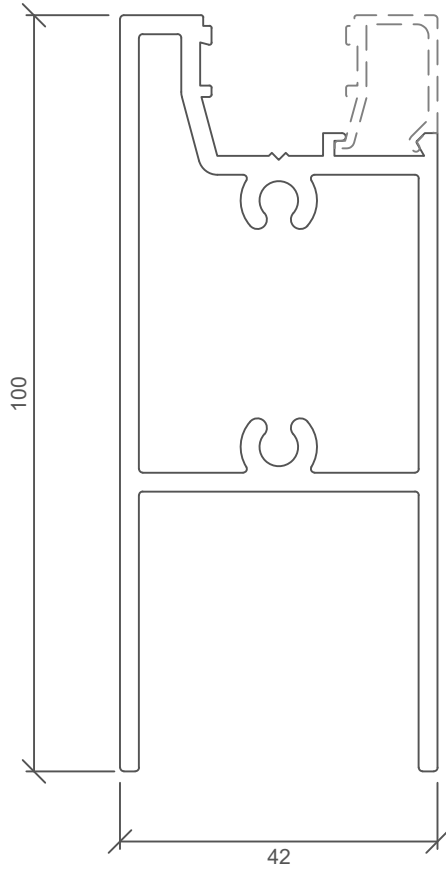
75mm TRANSOM  
PSL 630



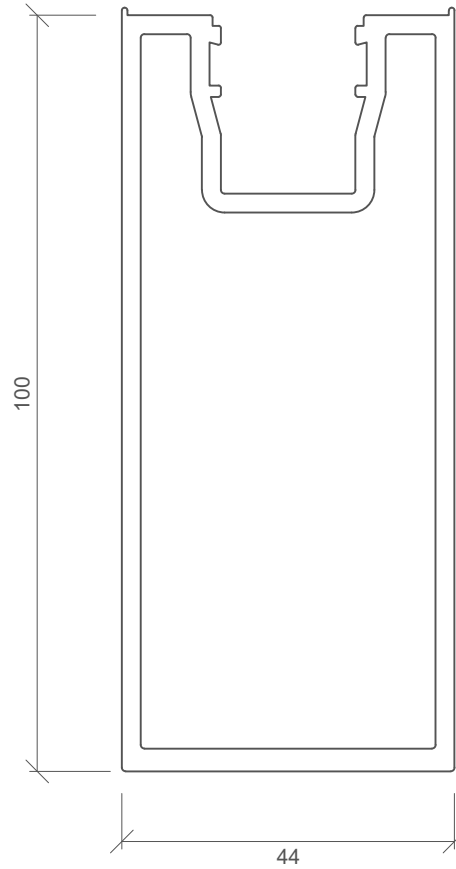
100mm TRANSOM  
PSL 670



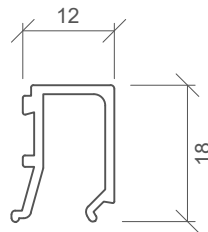
BEAD TO SUIT PSL 630 & PSL 670  
PSL 610



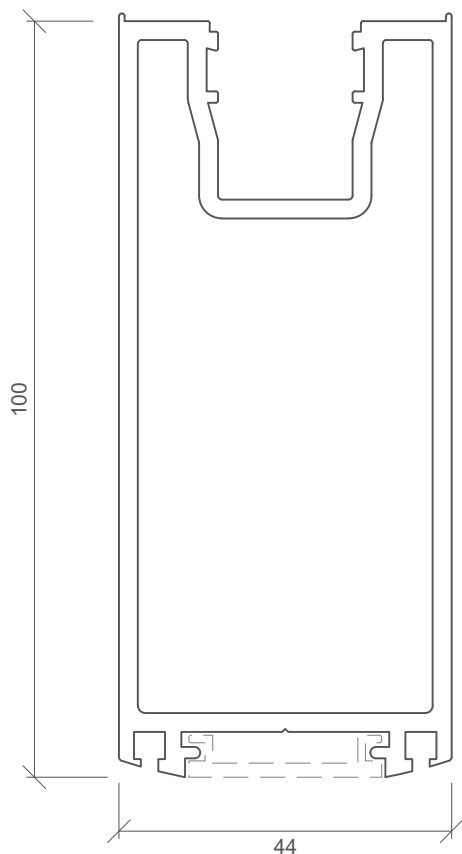
100mm TOP AND BOTTOM RAIL  
PSL 645



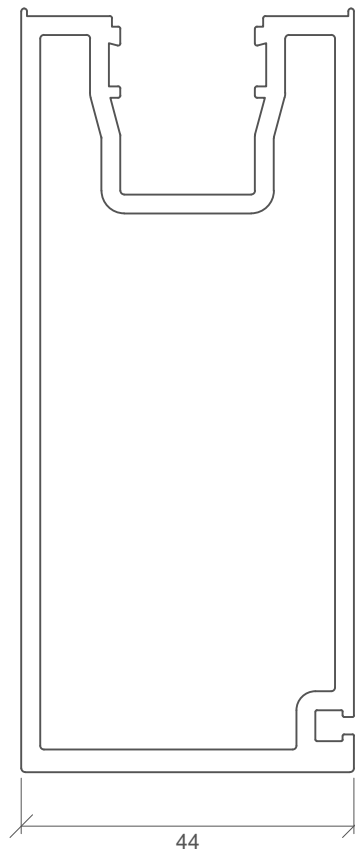
100mm HINGE STILE HINGED DOOR  
PSL 655



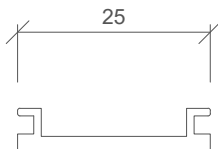
BEAD TO SUIT PSL 645  
PSL 610



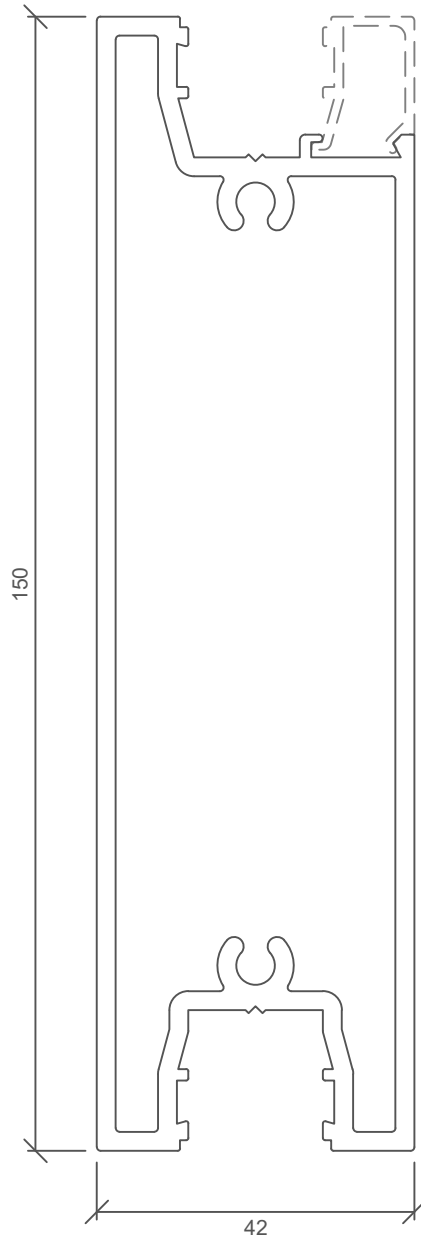
100mm LOCKSET STILE HINGED  
AND SLIDING DOOR  
PSL 660



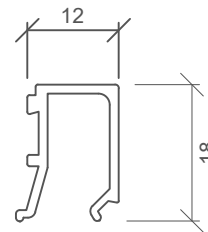
100mm CLOSING STILE  
SLIDING DOOR  
PSL 665



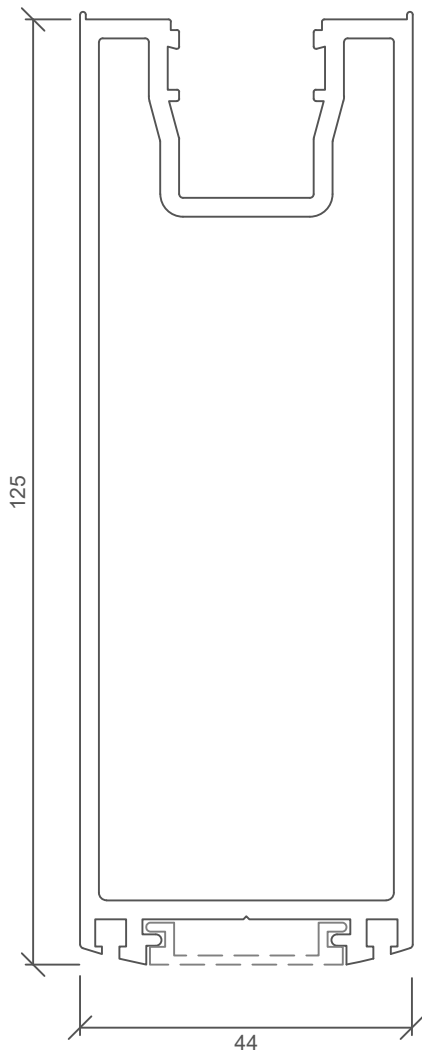
INFILL FOR CLOSING  
STILE  
PSL 640



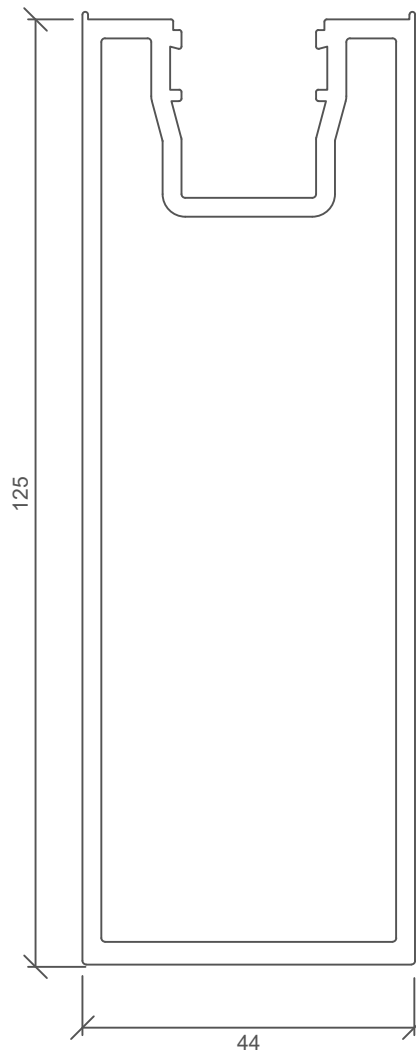
150mm TRANSOM  
PSL 776



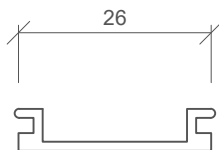
BEAD TO SUIT PSL 776  
PSL 610



125mm LOCKSET STILE  
PSL 672



125mm HINGE STILE  
PSL 673



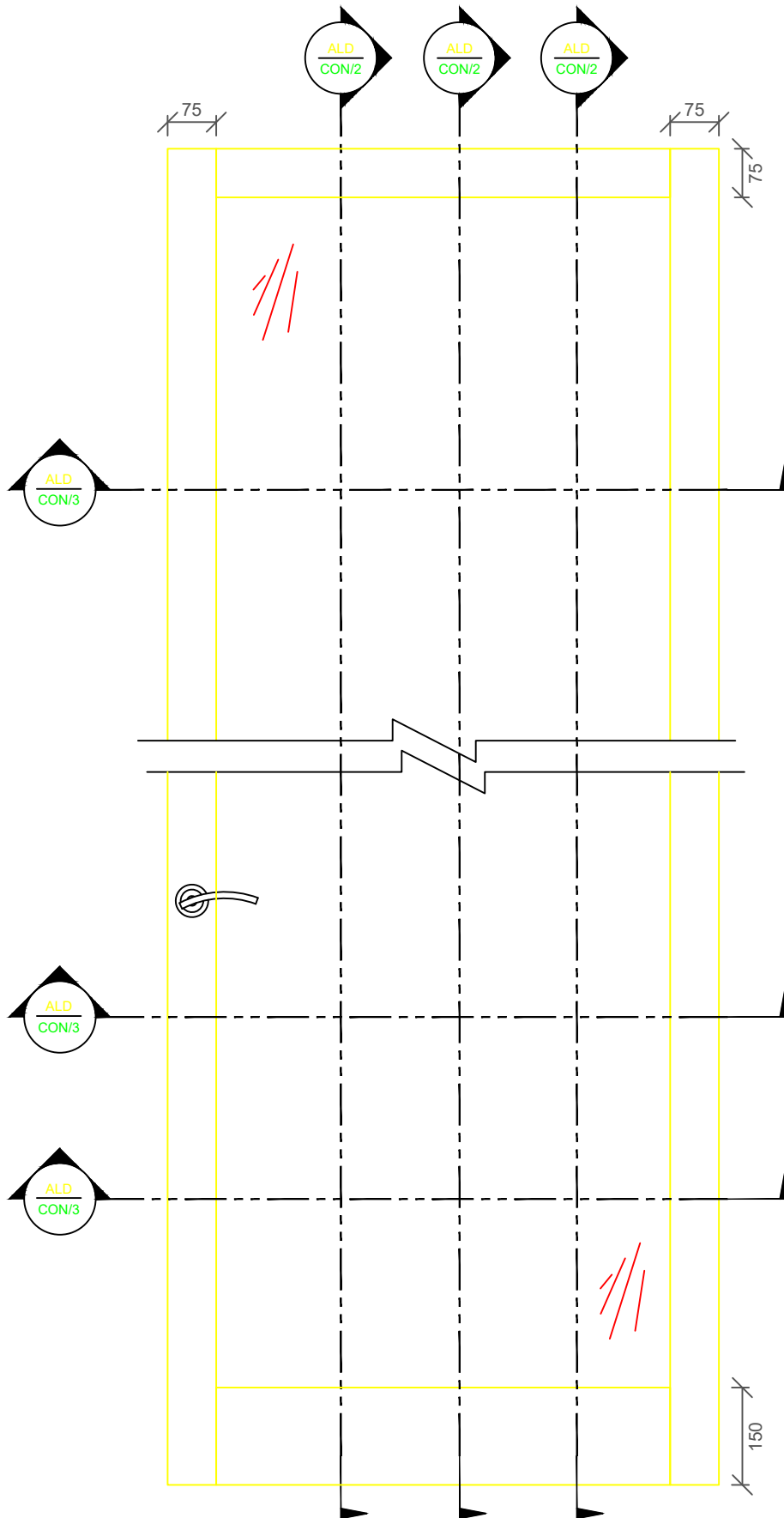
INFILL FOR  
STILE  
PSL 640

For more information regarding this profile, visit: [www.autexpsl.co.nz](http://www.autexpsl.co.nz)

Autex PSL LTD, Private Bag 19988, Avondale 1746, Auckland

Freephone 0800 82 80 80, [sales@autexpsl.co.nz](mailto:sales@autexpsl.co.nz)

© Images are copyright & property of Autex PSL Limited



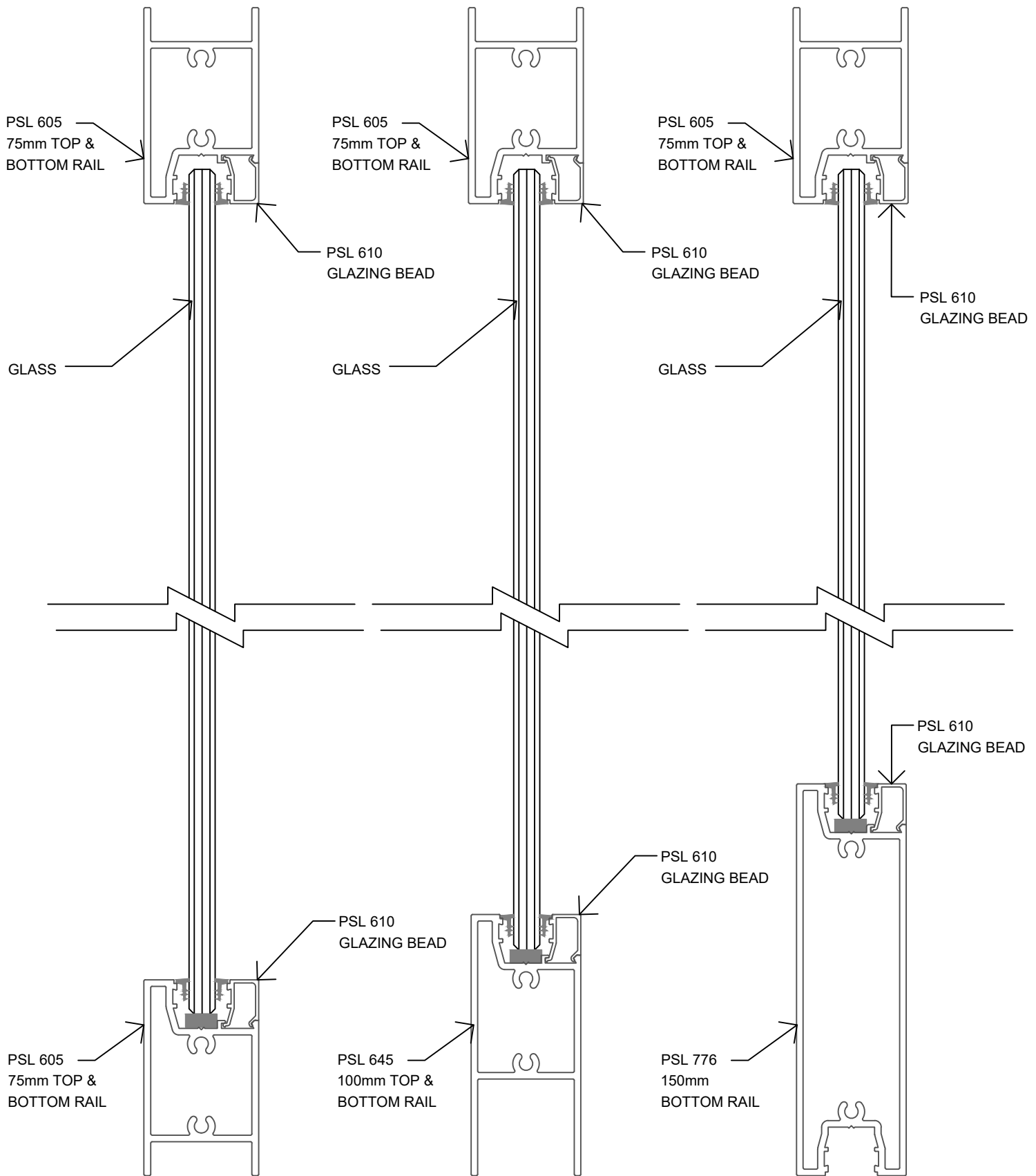
For more information regarding this profile, visit: [www.autexpsl.co.nz](http://www.autexpsl.co.nz)

Autex PSL LTD, Private Bag 19988, Avondale 1746, Auckland

Freephone 0800 82 80 80, [sales@autexpsl.co.nz](mailto:sales@autexpsl.co.nz)

© Images are copyright & property of Autex PSL Limited

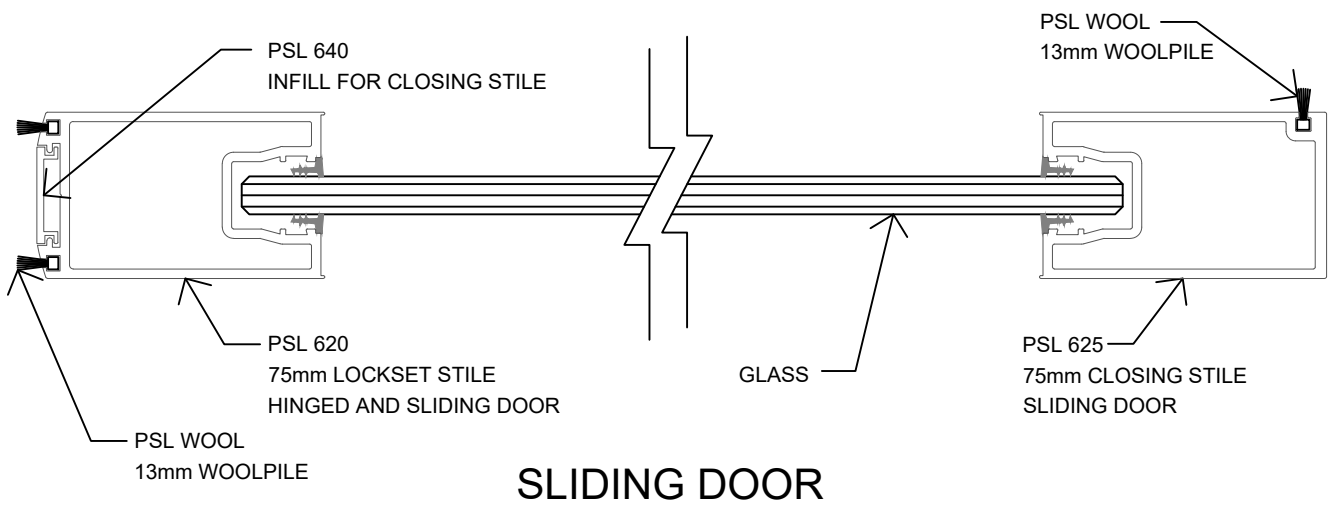
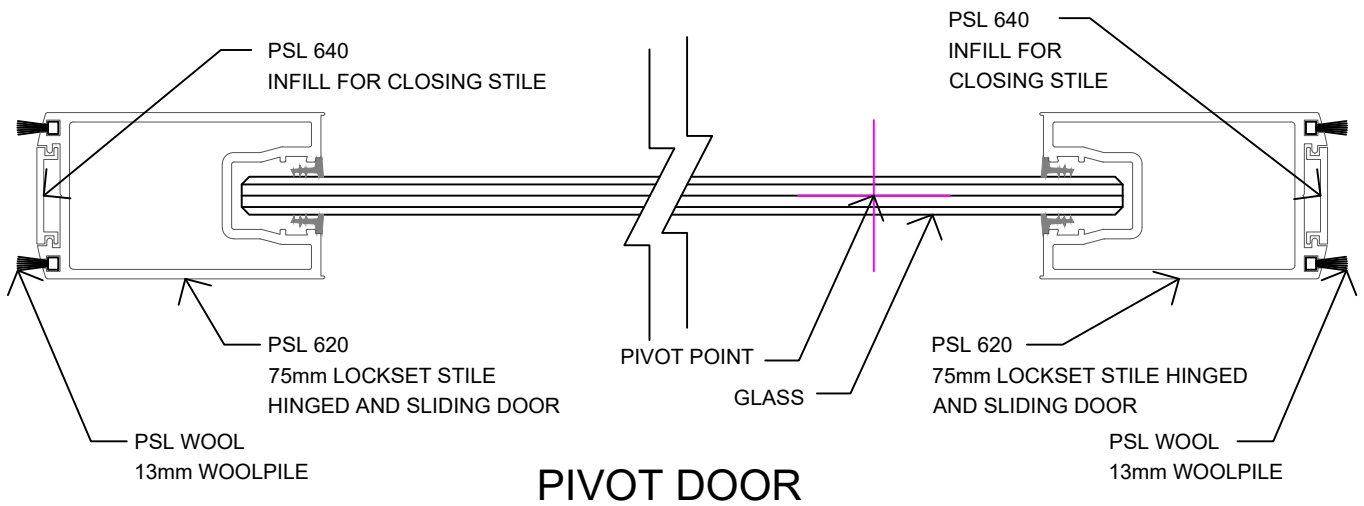
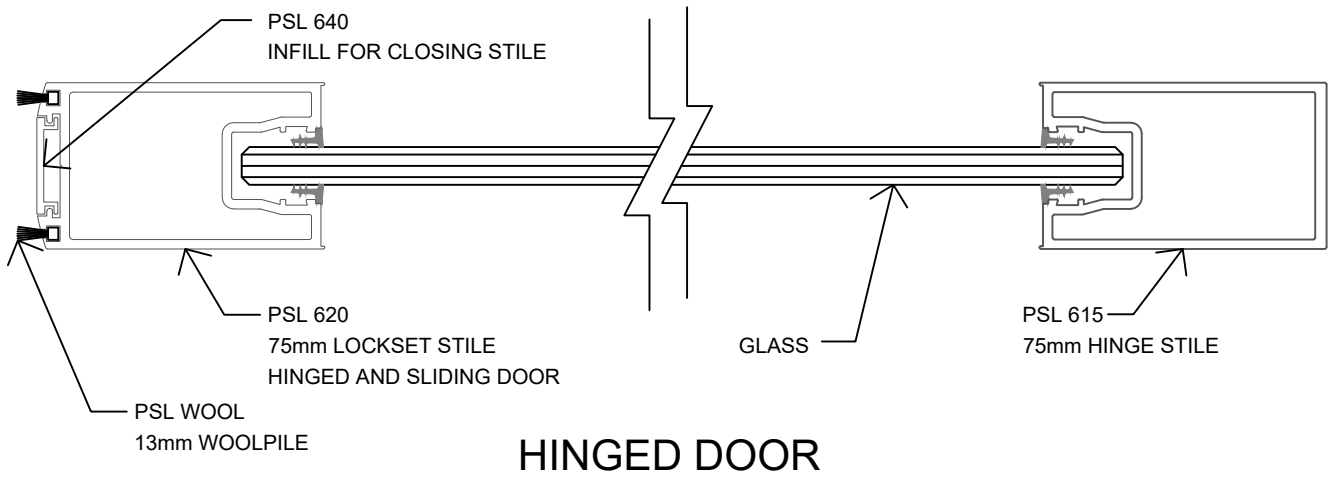


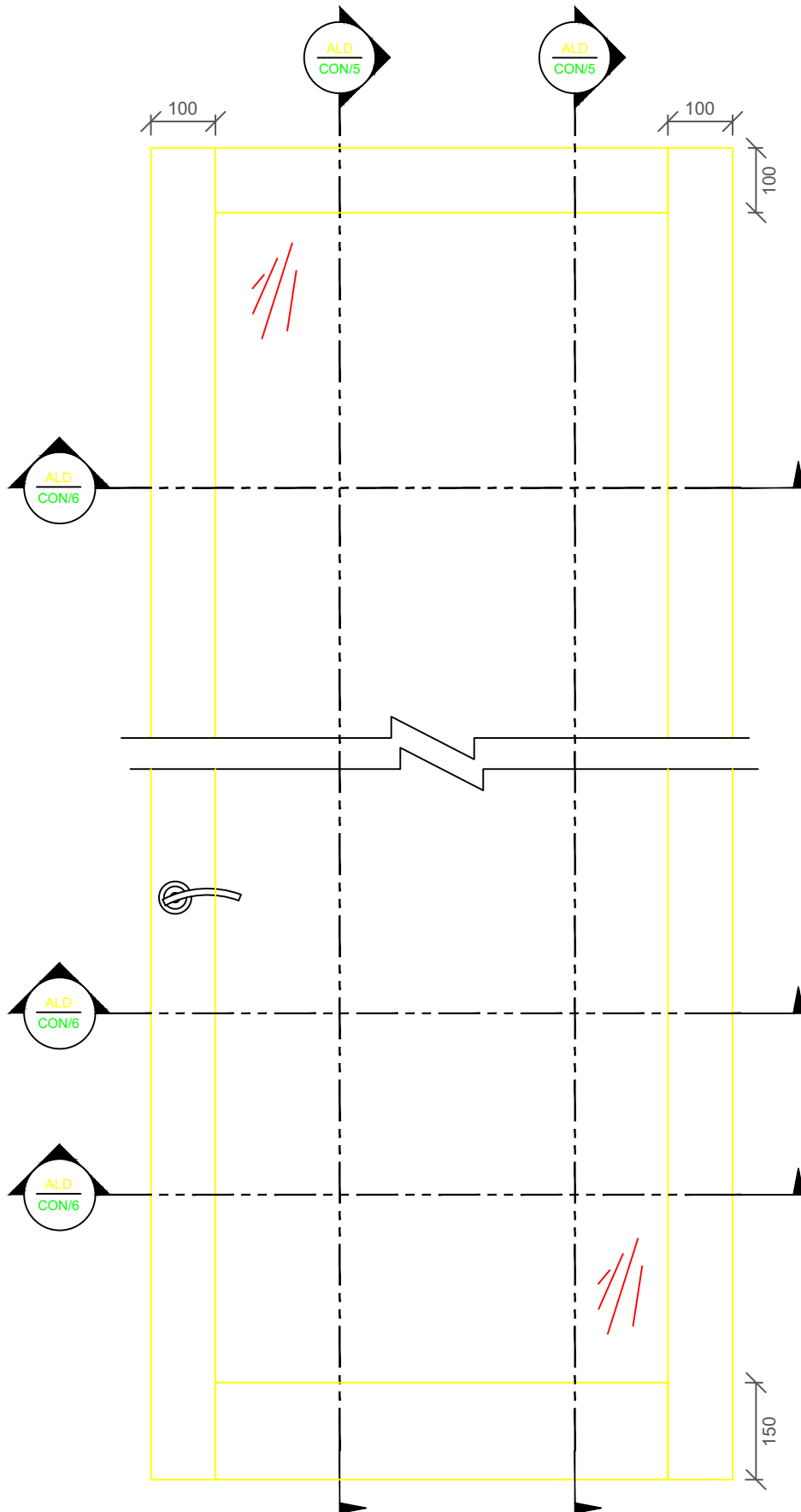


For more information regarding this profile, visit: [www.autexpsl.co.nz](http://www.autexpsl.co.nz)

Autex PSL LTD, Private Bag 19988, Avondale 1746, Auckland  
 Freephone 0800 82 80 80, [sales@autexpsl.co.nz](mailto:sales@autexpsl.co.nz)

© Images are copyright & property of Autex PSL Limited



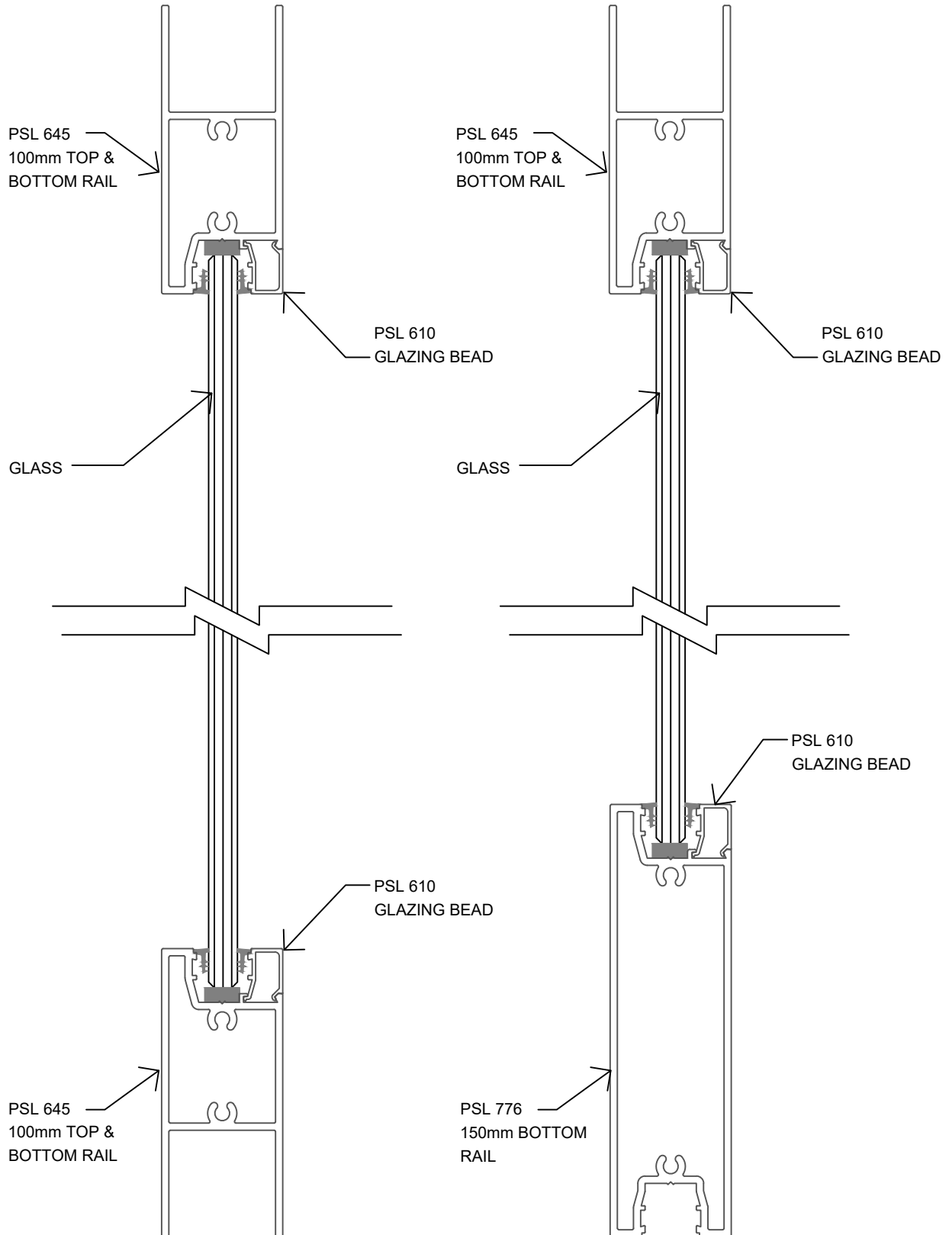


For more information regarding this profile, visit: [www.autexpsl.co.nz](http://www.autexpsl.co.nz)

Autex PSL LTD, Private Bag 19988, Avondale 1746, Auckland

Freephone 0800 82 80 80, [sales@autexpsl.co.nz](mailto:sales@autexpsl.co.nz)

© Images are copyright & property of Autex PSL Limited

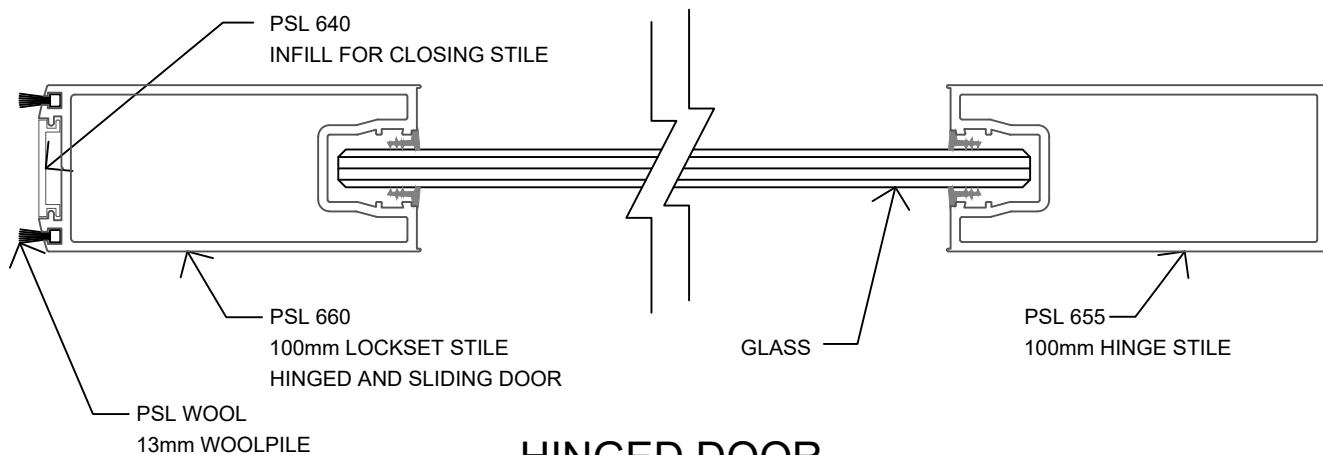


For more information regarding this profile, visit: [www.autexpsl.co.nz](http://www.autexpsl.co.nz)

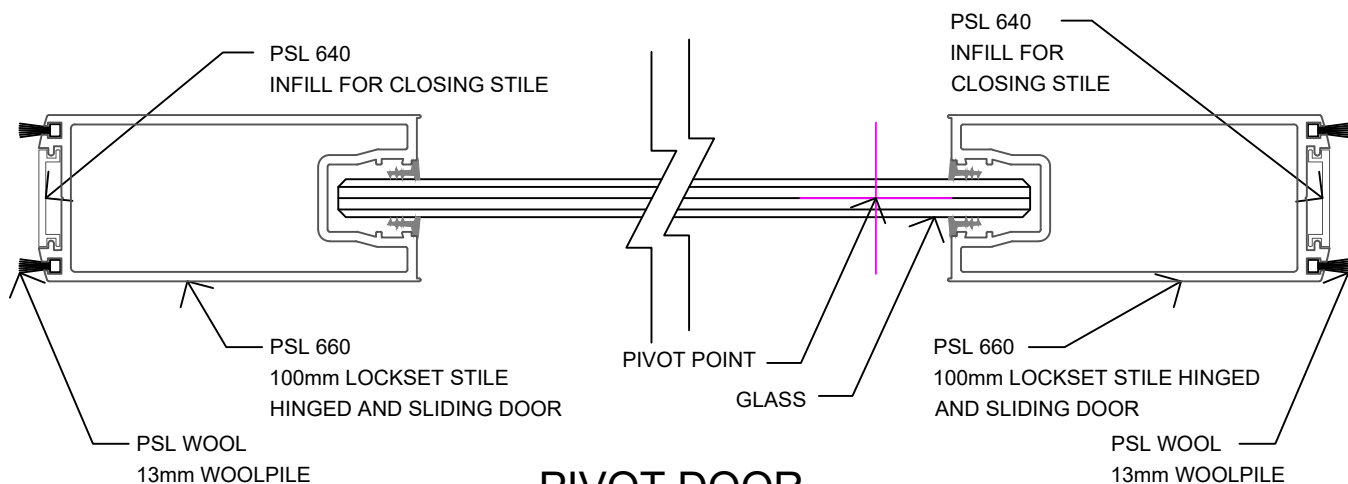
Autex PSL LTD, Private Bag 19988, Avondale 1746, Auckland

Freephone 0800 82 80 80, [sales@autexpsl.co.nz](mailto:sales@autexpsl.co.nz)

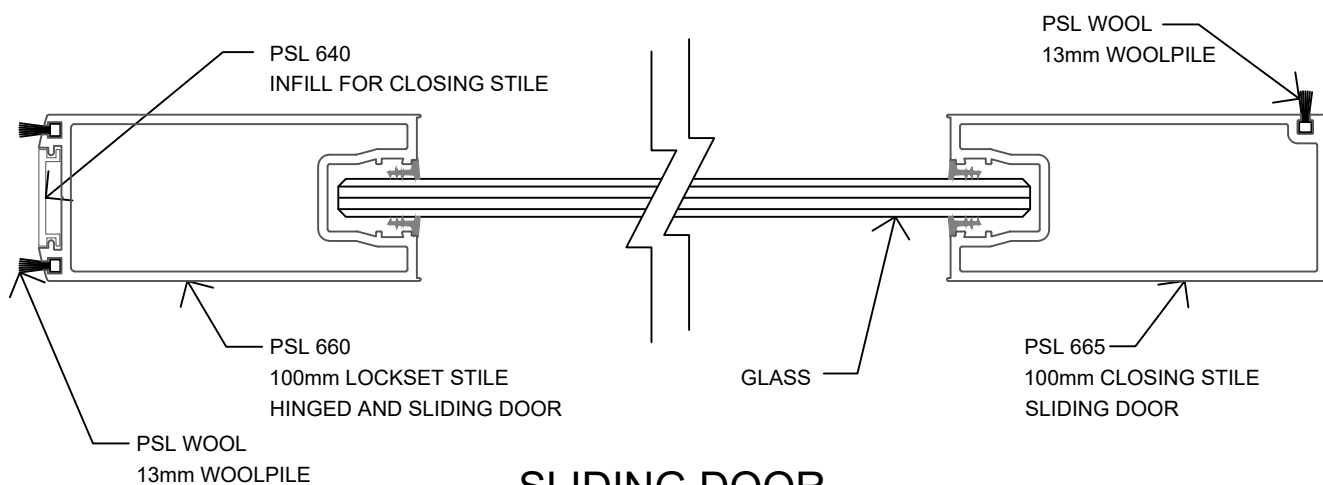
© Images are copyright & property of Autex PSL Limited



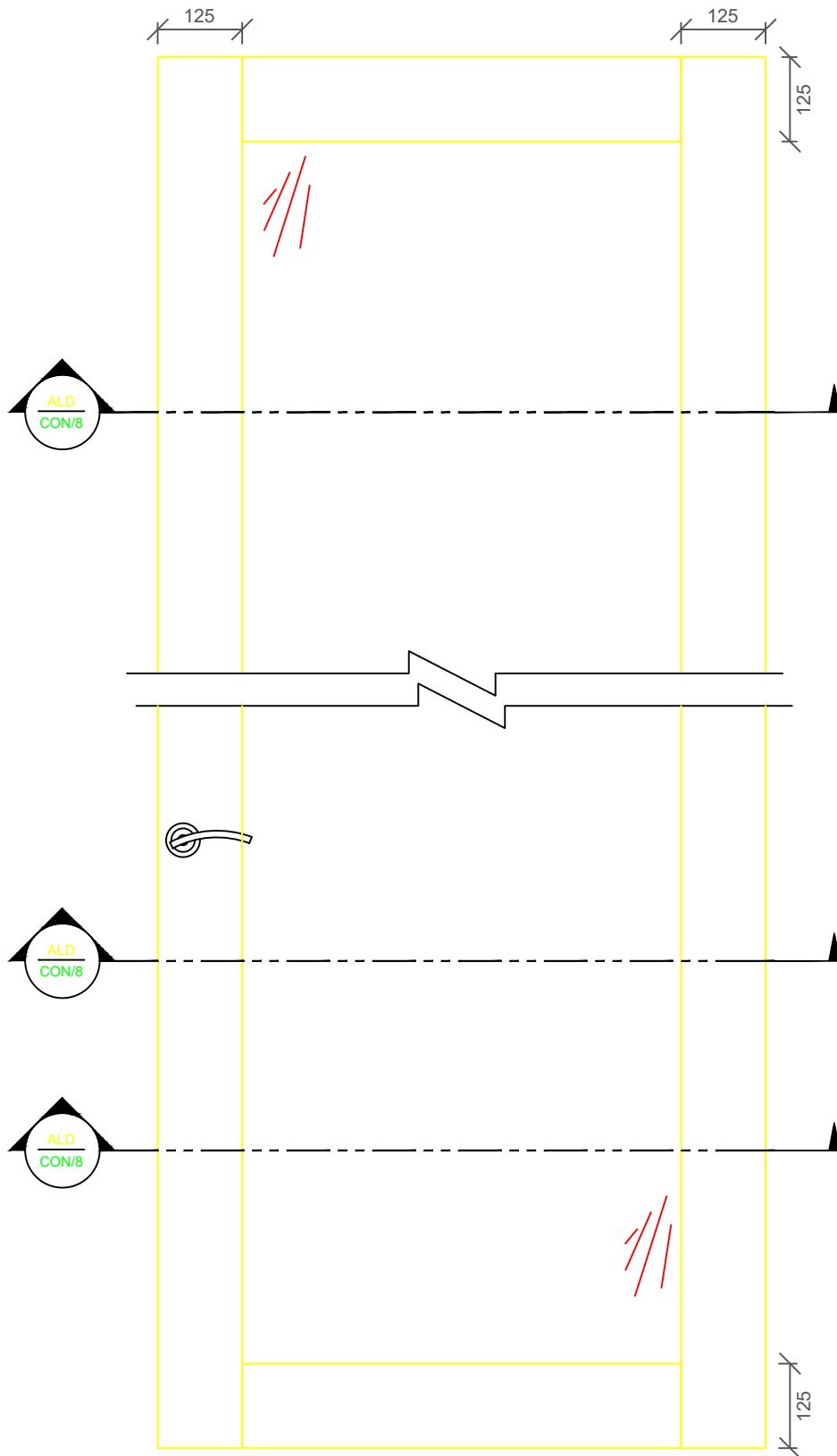
**HINGED DOOR**



**PIVOT DOOR**



**SLIDING DOOR**

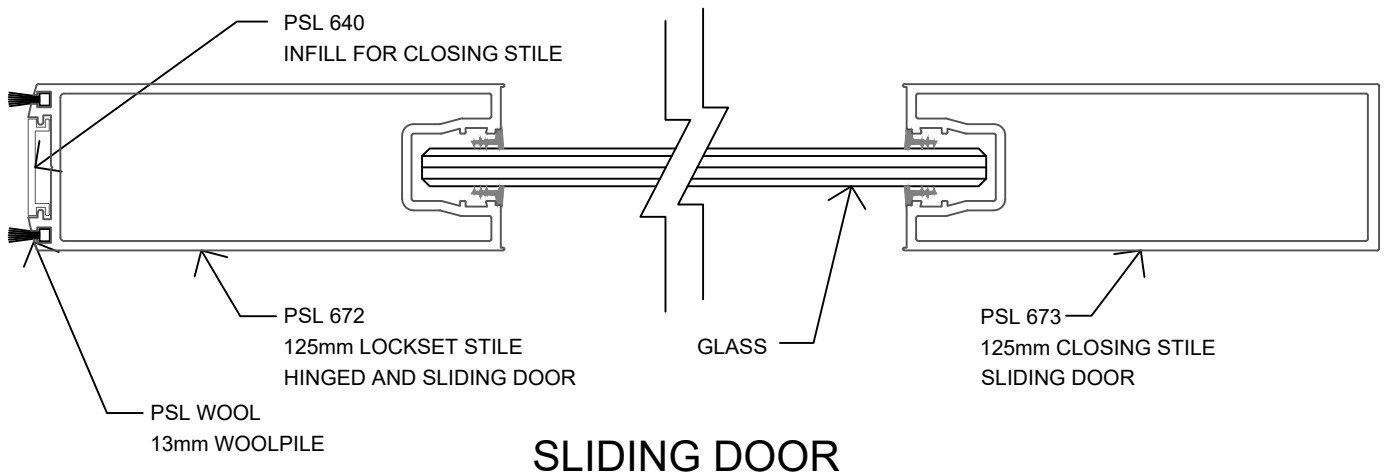
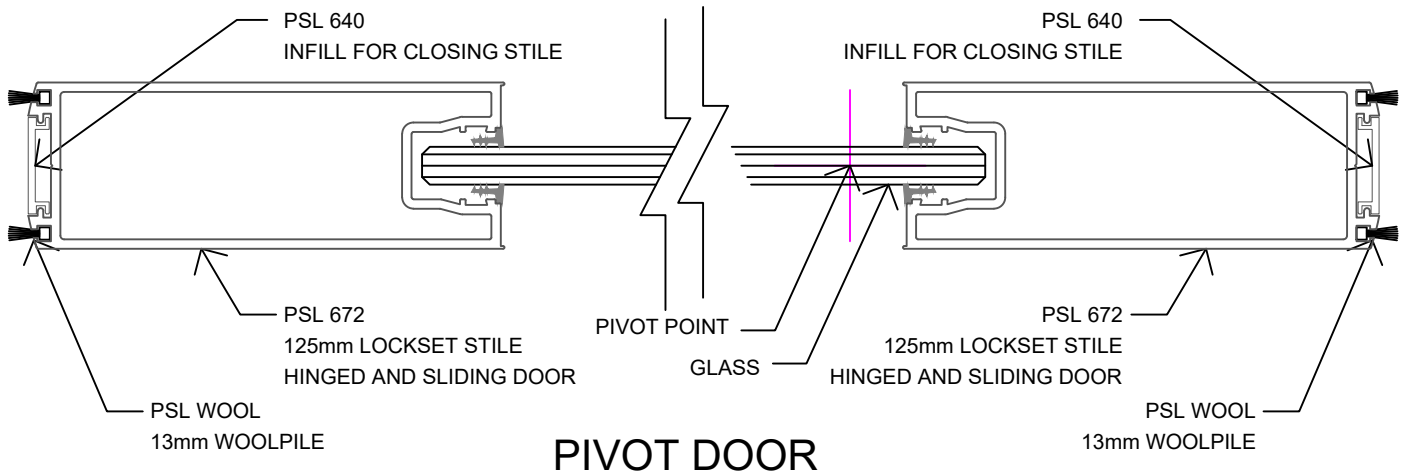
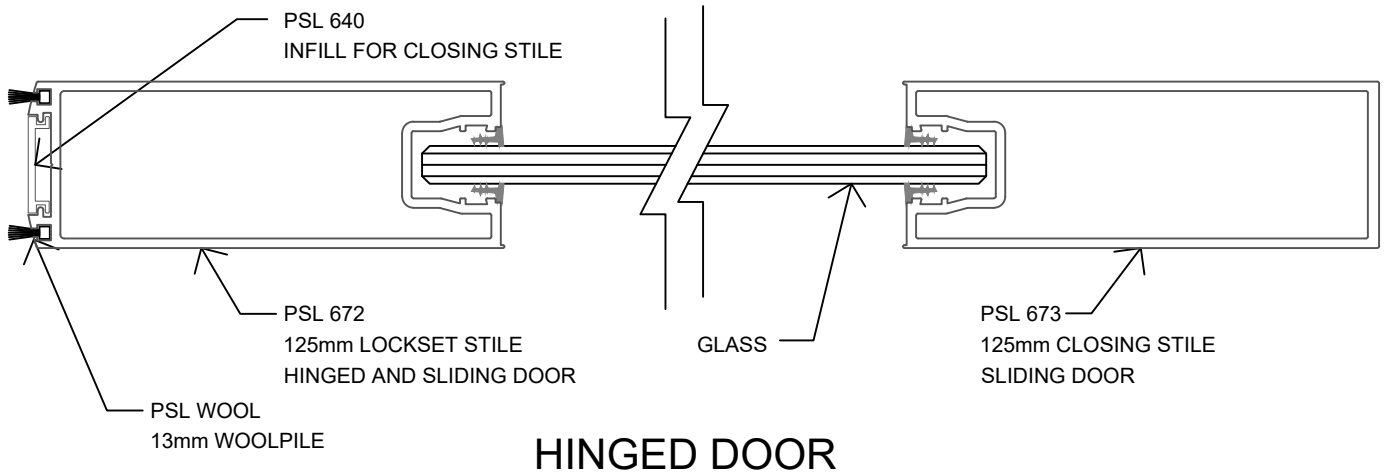


For more information regarding this profile, visit: [www.autexpsl.co.nz](http://www.autexpsl.co.nz)

Autex PSL LTD, Private Bag 19988, Avondale 1746, Auckland

Freephone 0800 82 80 80, [sales@autexpsl.co.nz](mailto:sales@autexpsl.co.nz)

© Images are copyright & property of Autex PSL Limited



For more information regarding this profile, visit: [www.autexpsl.co.nz](http://www.autexpsl.co.nz)

Autex PSL LTD, Private Bag 19988, Avondale 1746, Auckland  
 Freephone 0800 82 80 80, [sales@autexpsl.co.nz](mailto:sales@autexpsl.co.nz)

© Images are copyright & property of Autex PSL Limited