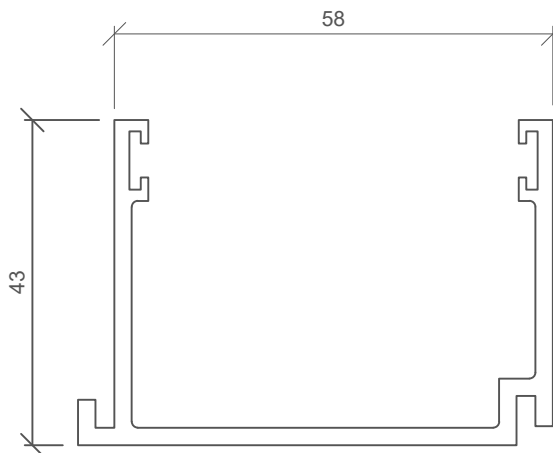
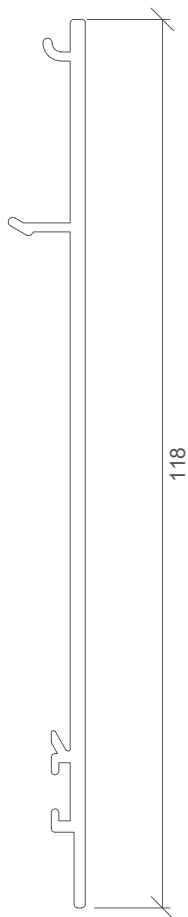


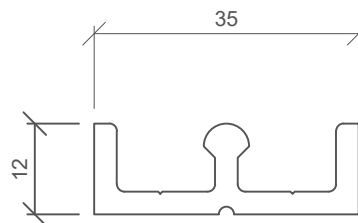
PELMET ADAPTER  
PSL 357



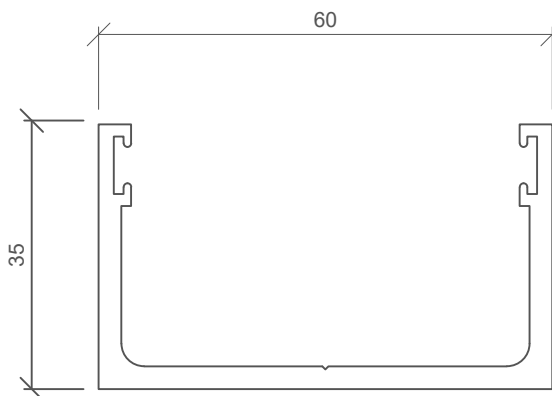
HEAD GUIDE SELF MATING  
PSL 1000



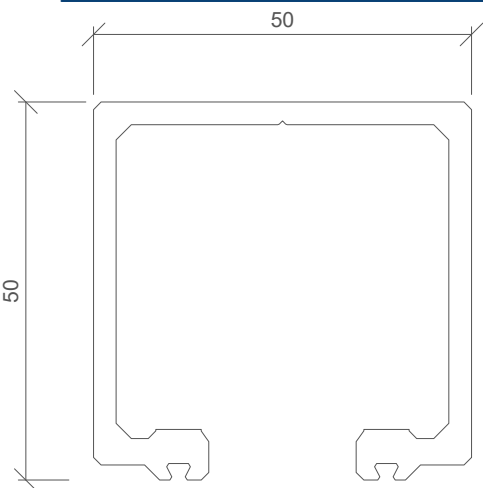
PELMET  
PSL 351



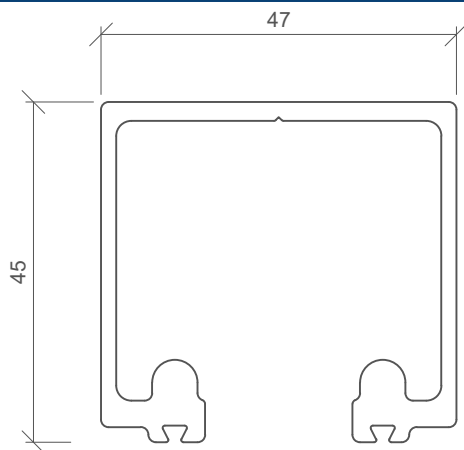
BOTTOM ROLLER TRACK  
PSL 1001



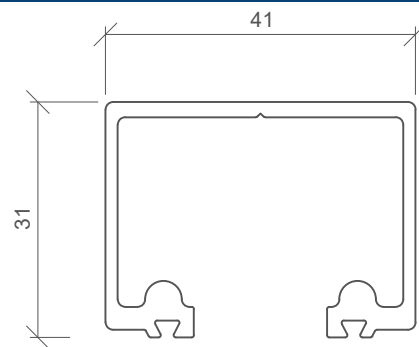
SINGLE HEAD GUIDE / VERTICAL  
PSL 1002



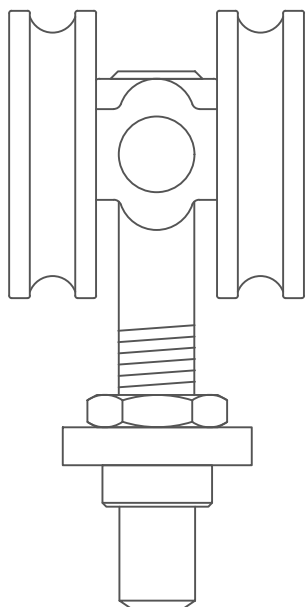
PSL 250 KG



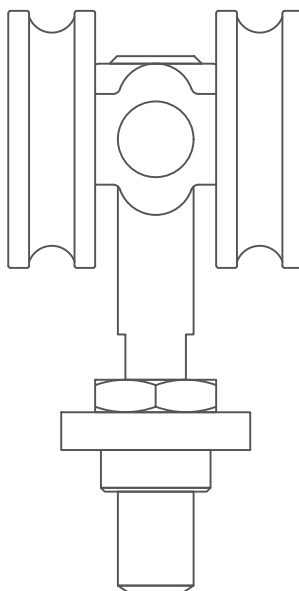
PSL 180 KG



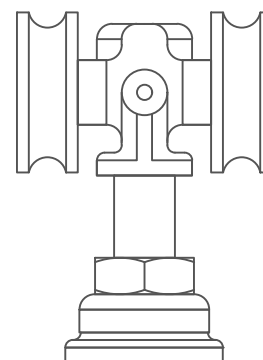
PSL 120 KG



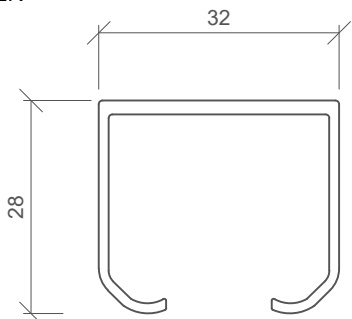
PSL 250 KG  
 HANGER



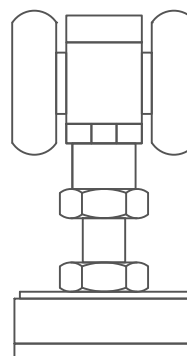
PSL 180 KG  
 HANGER



PSL 120 KG  
 HANGER



PSL 60 KG

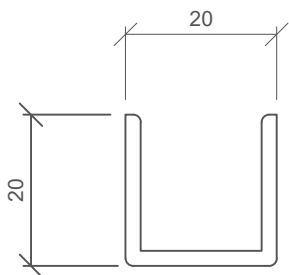


PSL 60 KG  
 HANGER

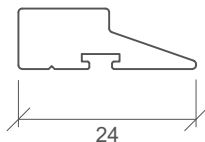
For more information regarding this profile, visit: [www.autexpsl.co.nz](http://www.autexpsl.co.nz)

Autex PSL LTD, Private Bag 19988, Avondale 1746, Auckland  
 Freephone 0800 82 80 80, [sales@autexpsl.co.nz](mailto:sales@autexpsl.co.nz)

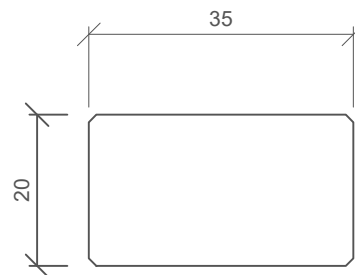
© Images are copyright & property of Autex PSL Limited



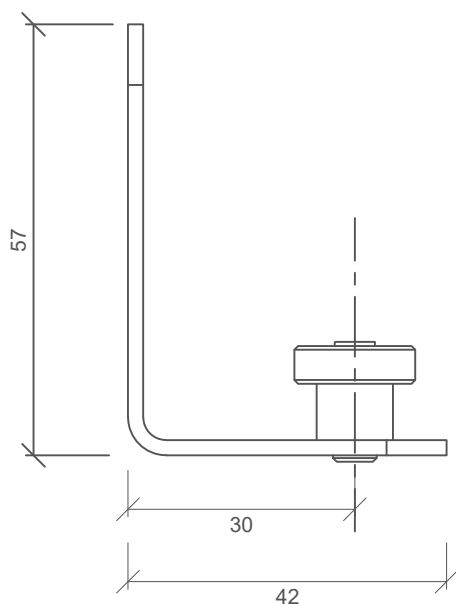
GUIDE CHANNEL



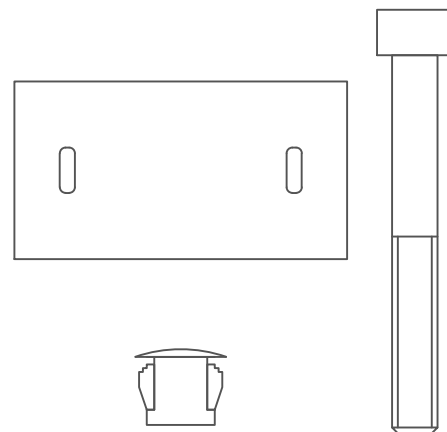
DOOR PICKUP  
 SELF MATTING



NYLON FLOOR GUIDE



ROLLER GUIDE



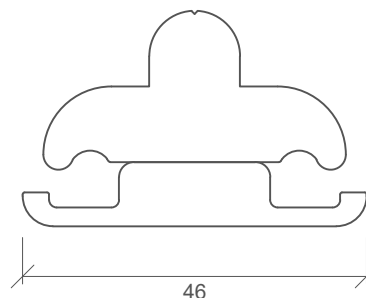
FABRICATION PACKS  
 INCLUDES BOLTS, SPACERS AND  
 CAPS TO MAKE A SINGLE DOOR



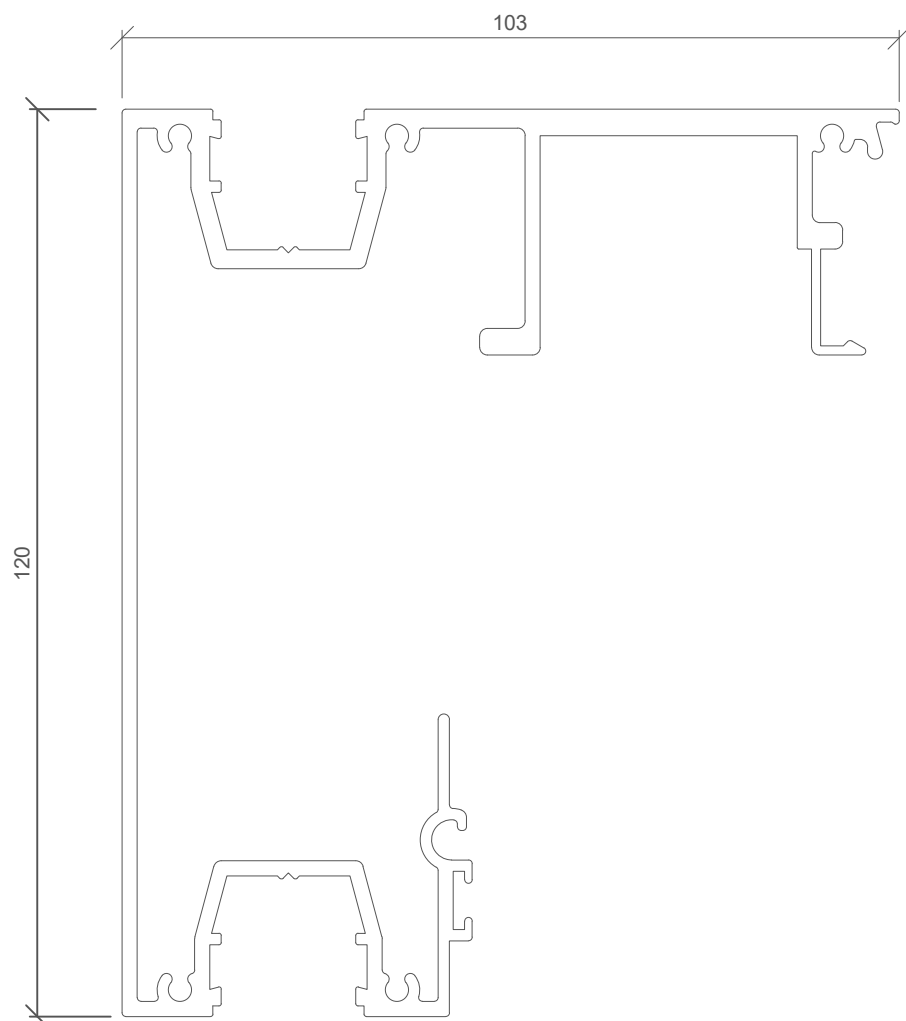
PSL 13  
 WOOLPILE



PSL 6-7  
 WOOLPILE



DOOR STOP 180 / 250



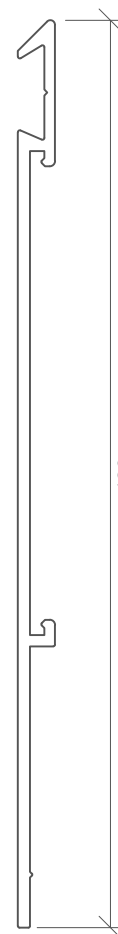
GLAZING TOP RAIL / PELMET BODY  
PSL 350



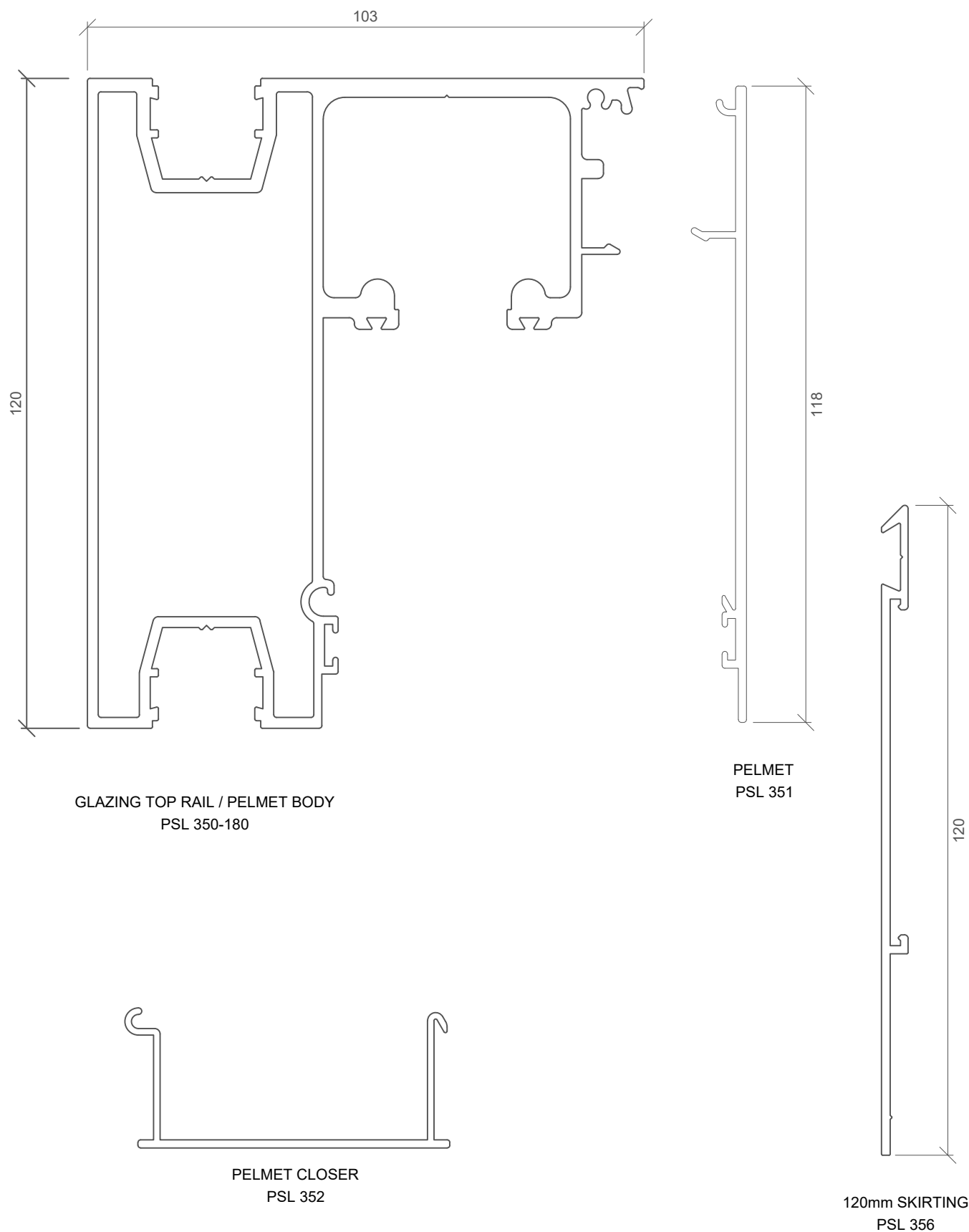
PELMET  
PSL 351



PELMET CLOSER  
PSL 352



120mm SKIRTING  
PSL 356



GLAZING TOP RAIL / PELMET BODY  
PSL 350-180

PELMET  
PSL 351

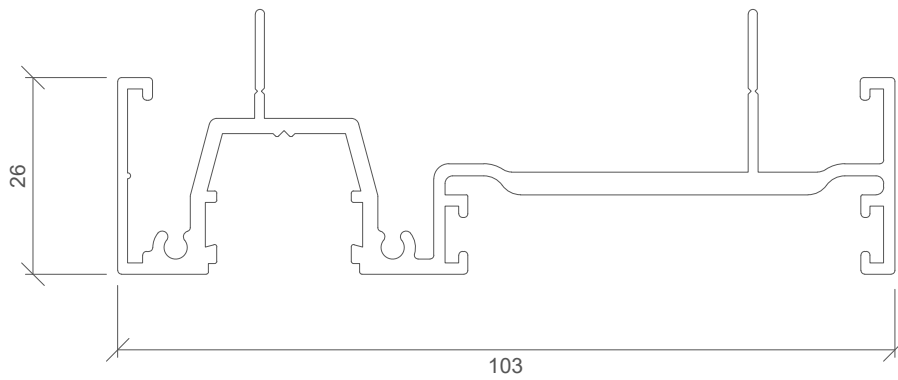
PELMET CLOSER  
PSL 352

120mm SKIRTING  
PSL 356

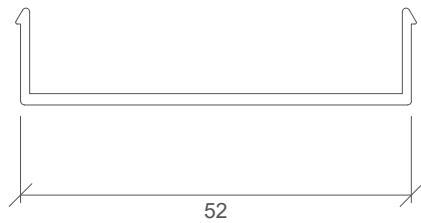
For more information regarding this profile, visit: [www.autexpls.co.nz](http://www.autexpls.co.nz)

Autex PSL LTD, Private Bag 19988, Avondale 1746, Auckland  
Freephone 0800 82 80 80, [sales@autexpls.co.nz](mailto:sales@autexpls.co.nz)

© Images are copyright & property of Autex PSL Limited

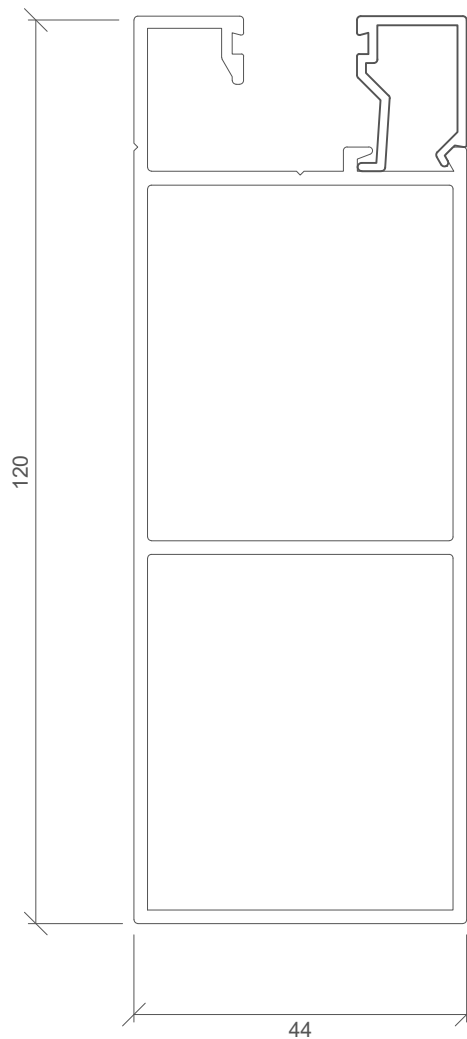


**VERTICAL STARTER**  
PSL 353



**VERTICAL CLOSER**  
PSL 355

**GLAZING BEAD**  
PSL 215



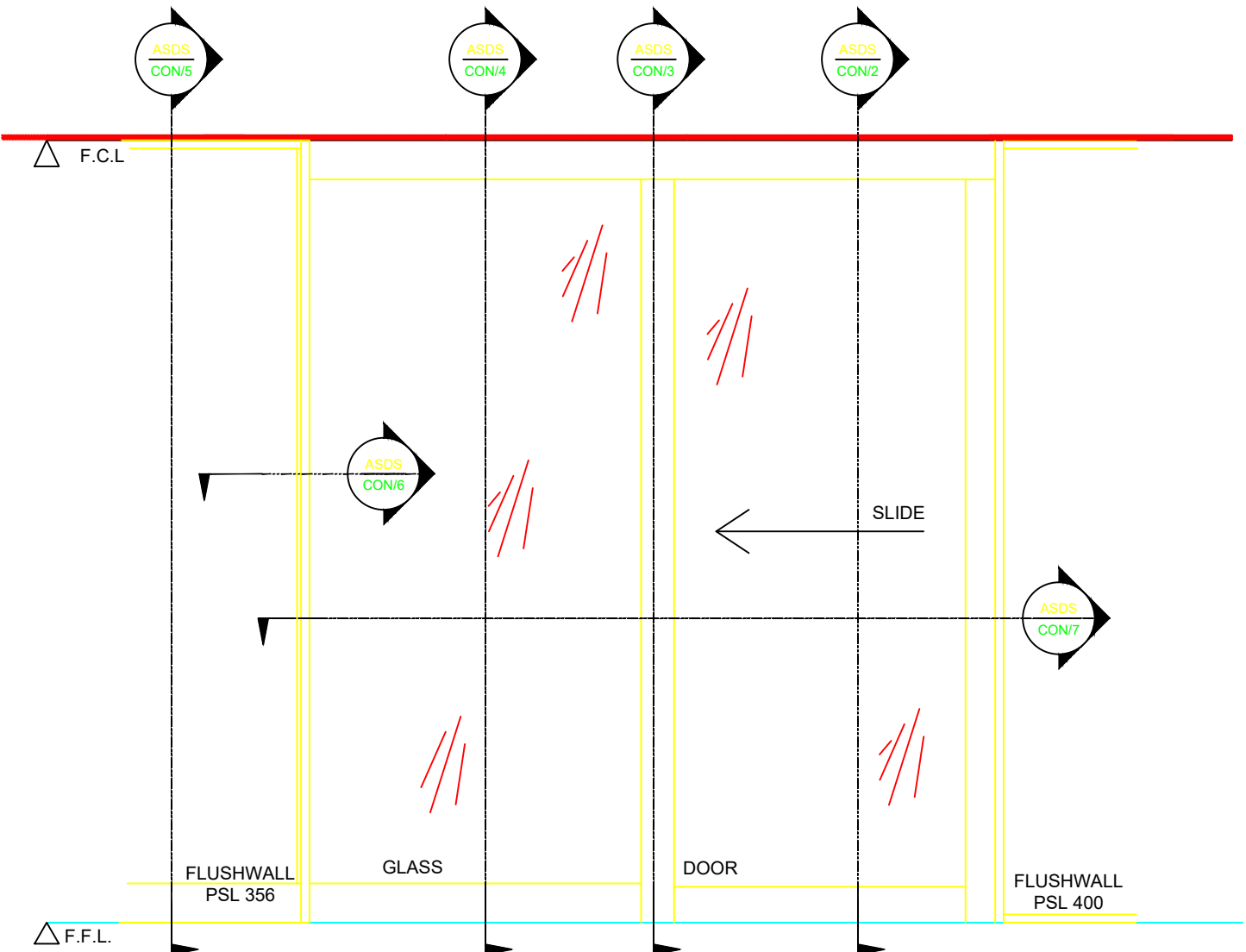
**BOTTOM GLAZING BAR**  
PSL 680

For more information regarding this profile, visit: [www.autexpsl.co.nz](http://www.autexpsl.co.nz)

Autex PSL LTD, Private Bag 19988, Avondale 1746, Auckland

Freephone 0800 82 80 80, [sales@autexpsl.co.nz](mailto:sales@autexpsl.co.nz)

© Images are copyright & property of Autex PSL Limited

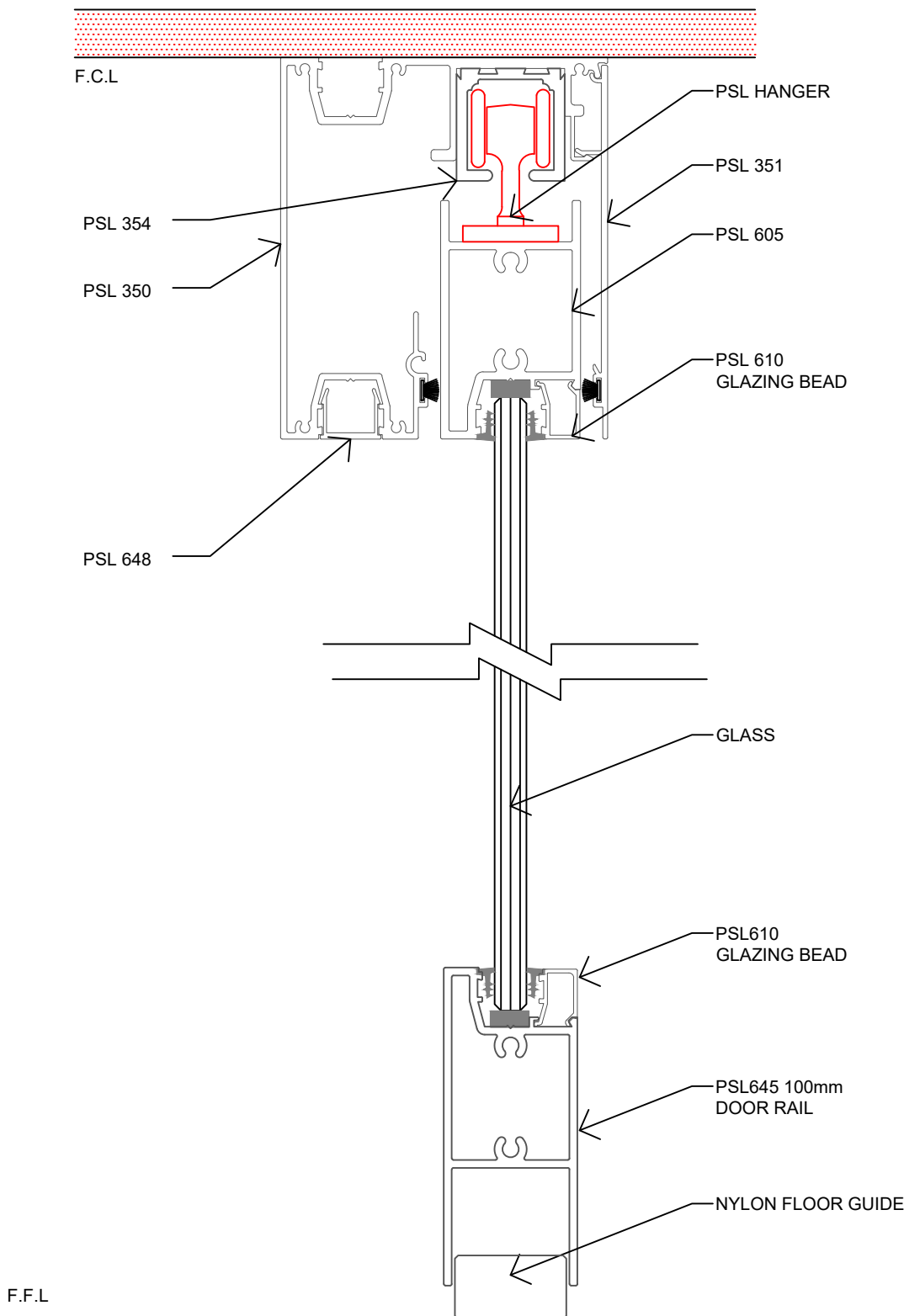


For more information regarding this profile, visit: [www.autexpsl.co.nz](http://www.autexpsl.co.nz)

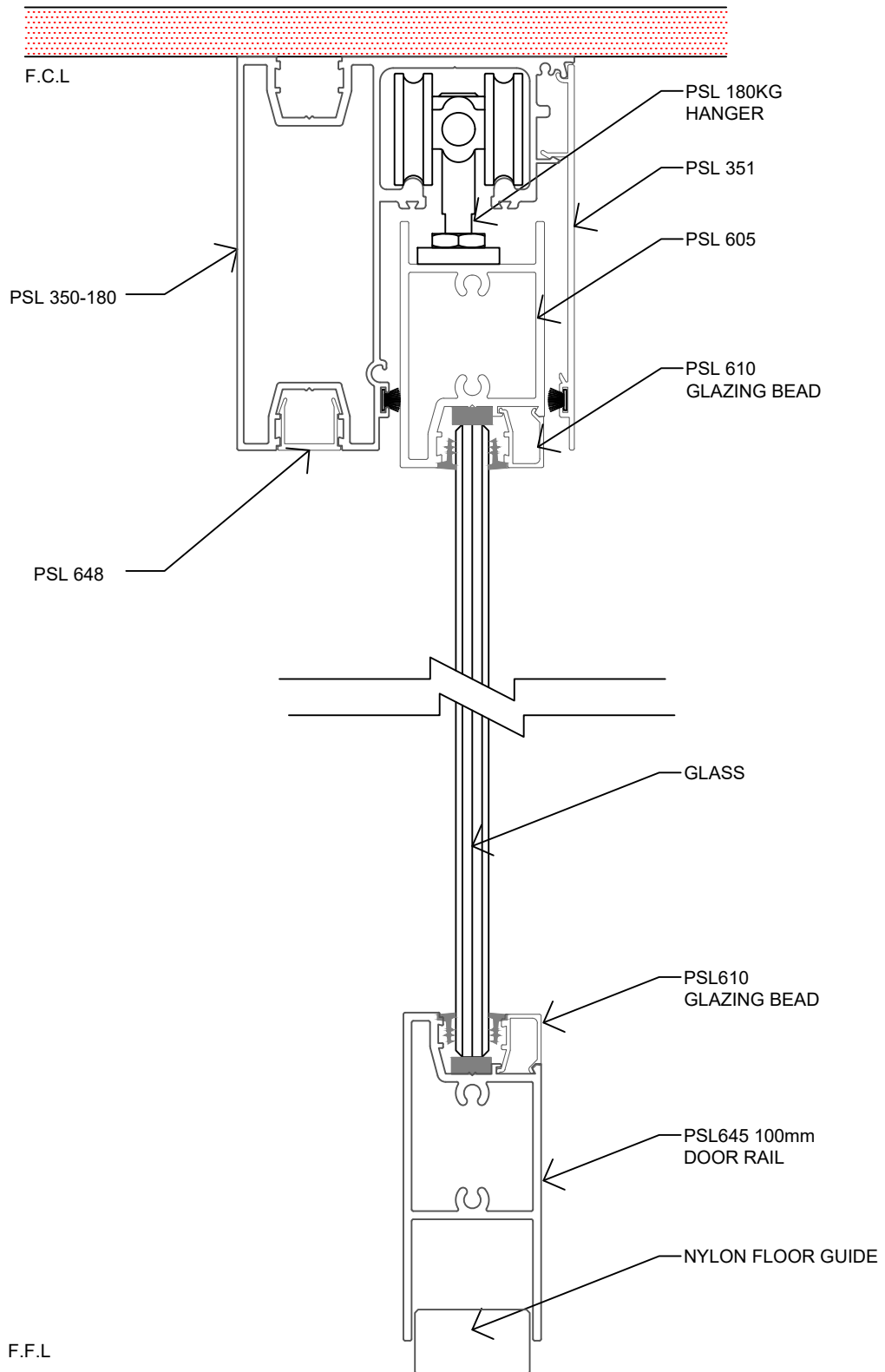
Autex PSL LTD, Private Bag 19988, Avondale 1746, Auckland

Freephone 0800 82 80 80, [sales@autexpsl.co.nz](mailto:sales@autexpsl.co.nz)

© Images are copyright & property of Autex PSL Limited





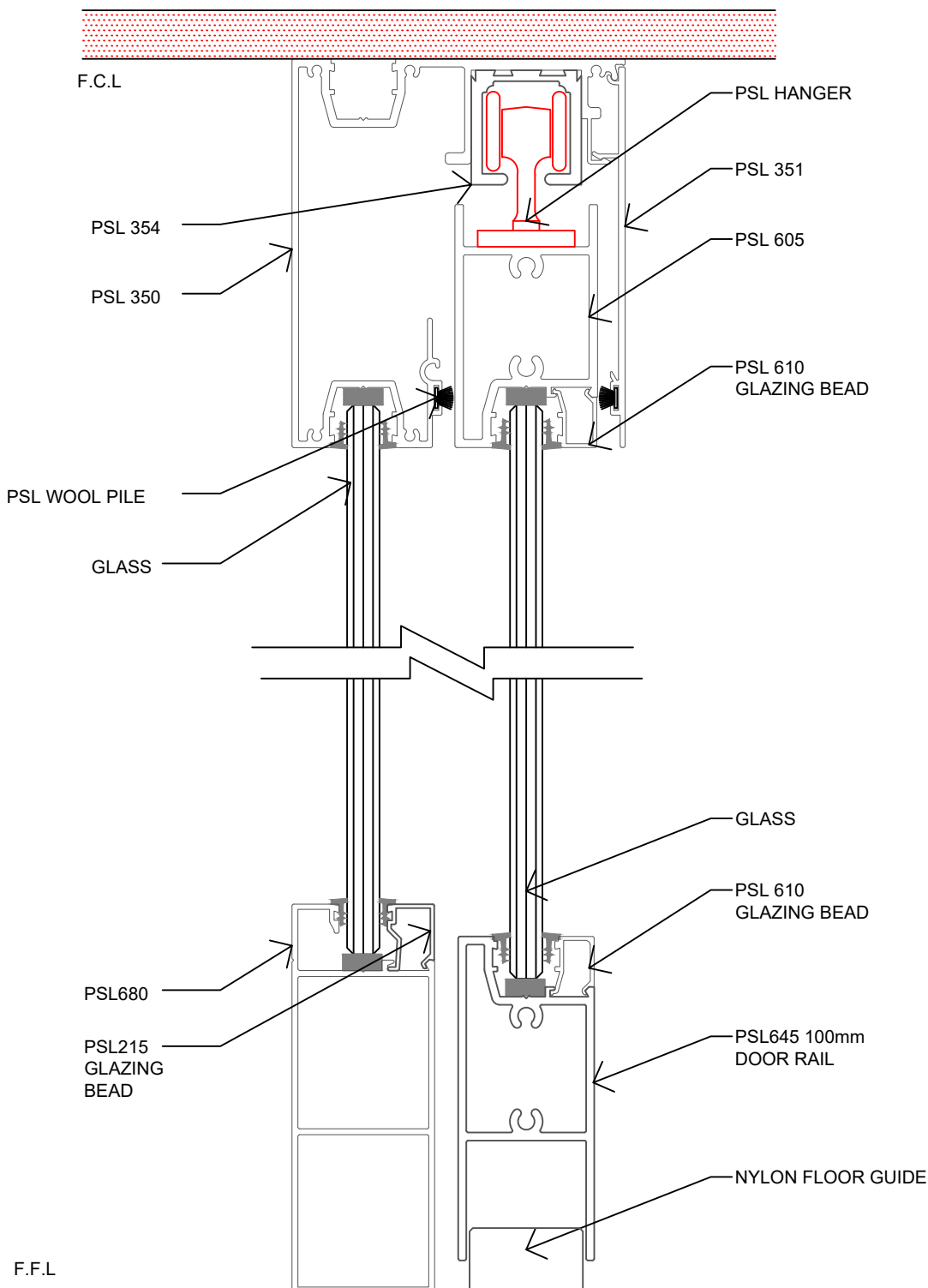


For more information regarding this profile, visit: [www.autexpl.co.nz](http://www.autexpl.co.nz)

Autex PSL LTD, Private Bag 19988, Avondale 1746, Auckland

Freephone 0800 82 80 80, [sales@autexpl.co.nz](mailto:sales@autexpl.co.nz)

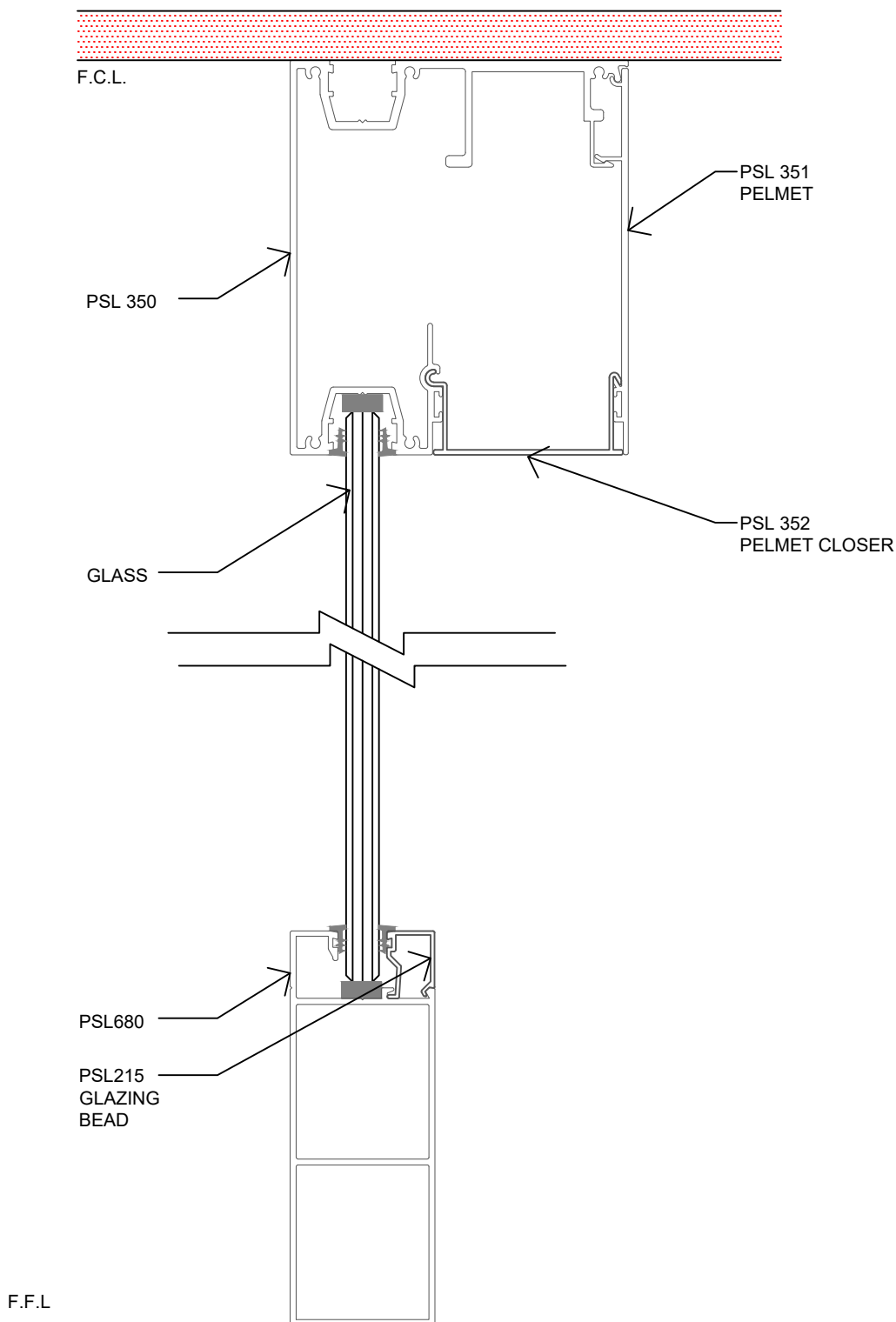
© Images are copyright & property of Autex PSL Limited

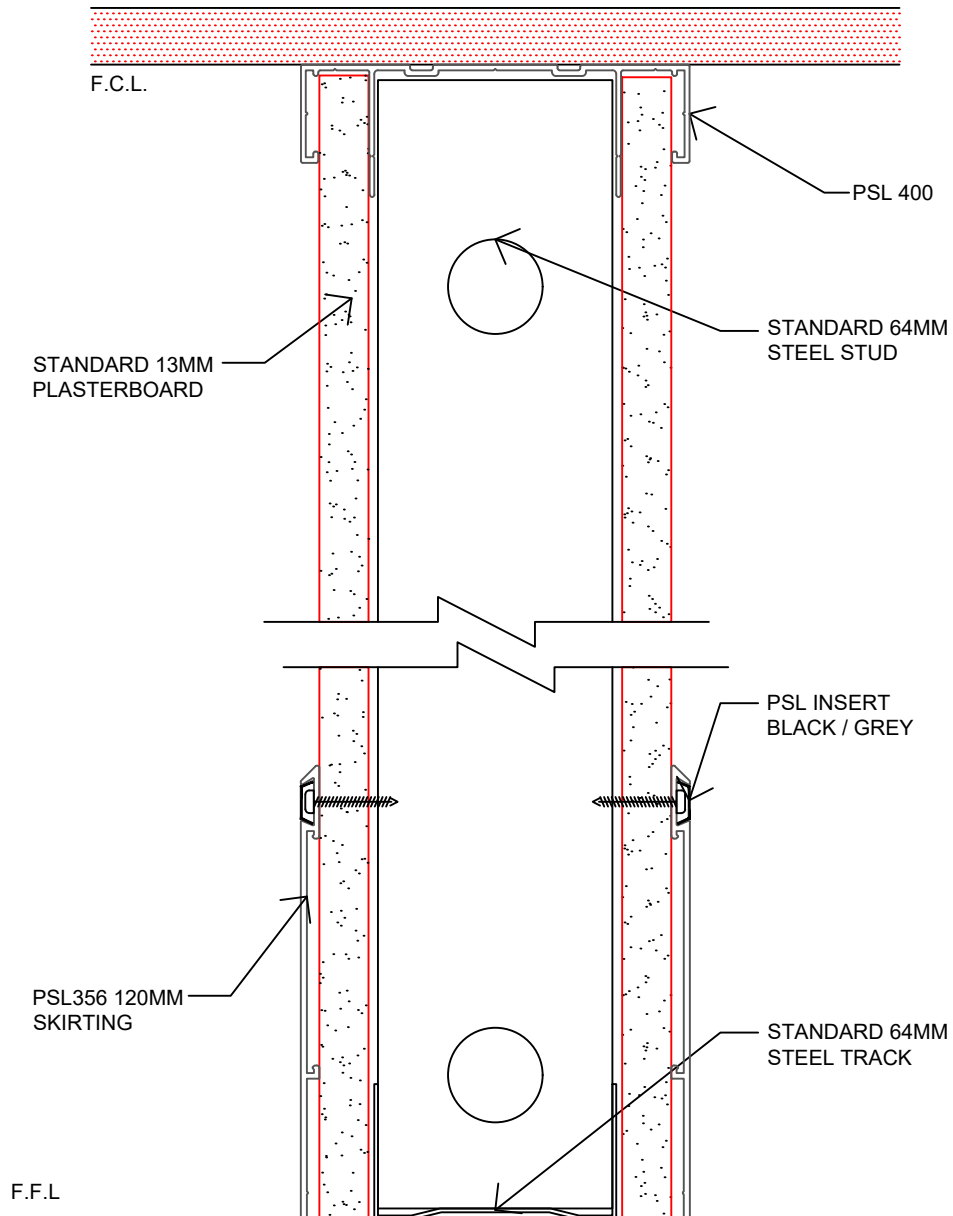


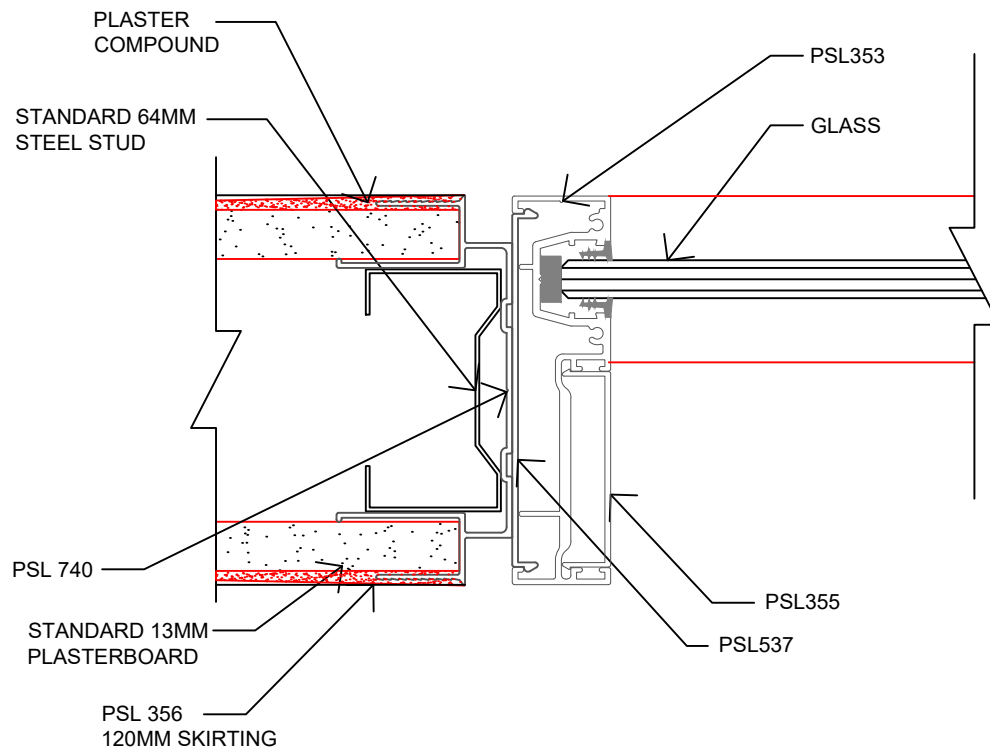
For more information regarding this profile, visit: [www.autexpsl.co.nz](http://www.autexpsl.co.nz)

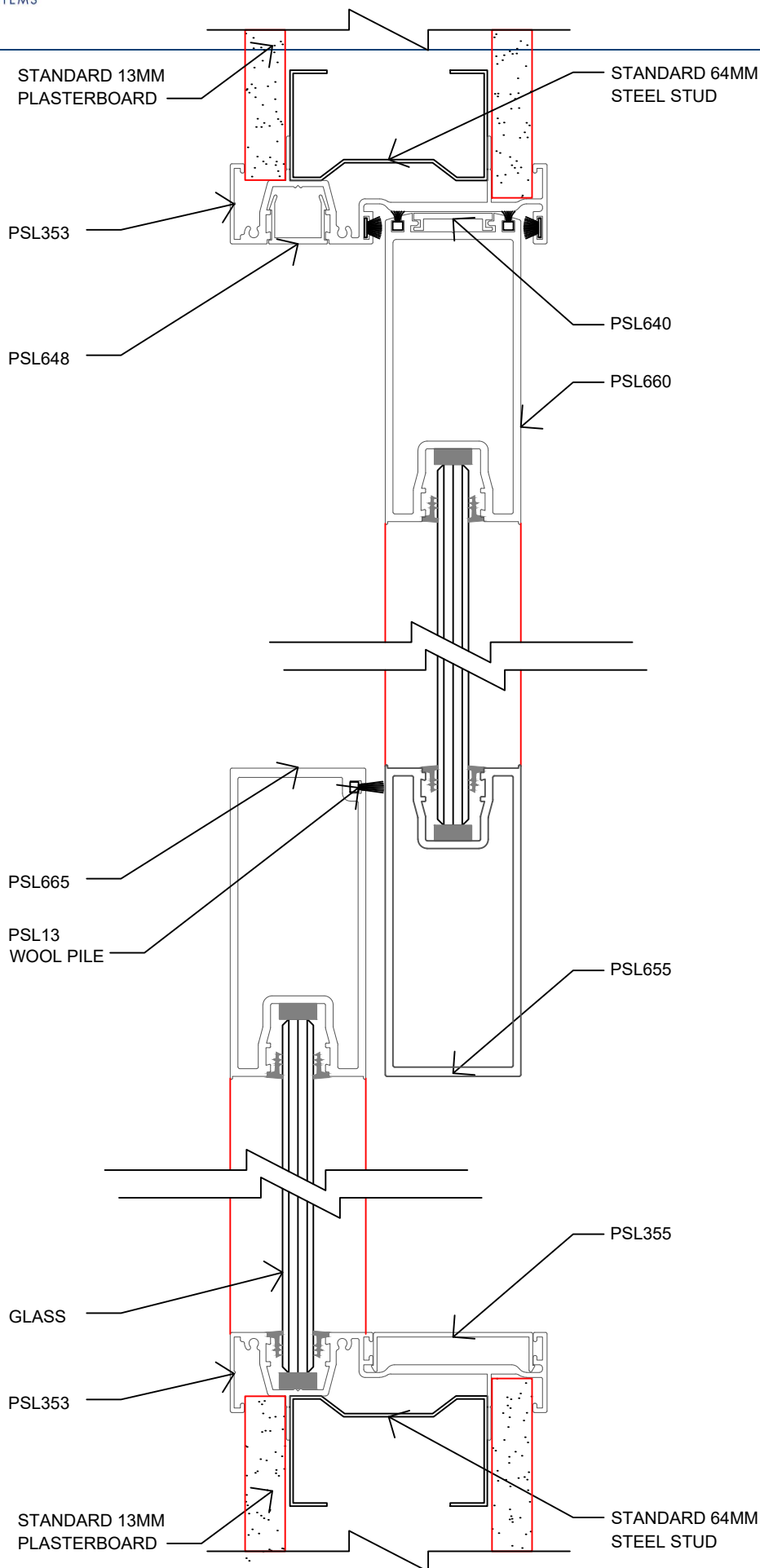
Autex PSL LTD, Private Bag 19988, Avondale 1746, Auckland  
 Freephone 0800 82 80 80, [sales@autexpsl.co.nz](mailto:sales@autexpsl.co.nz)

© Images are copyright & property of Autex PSL Limited



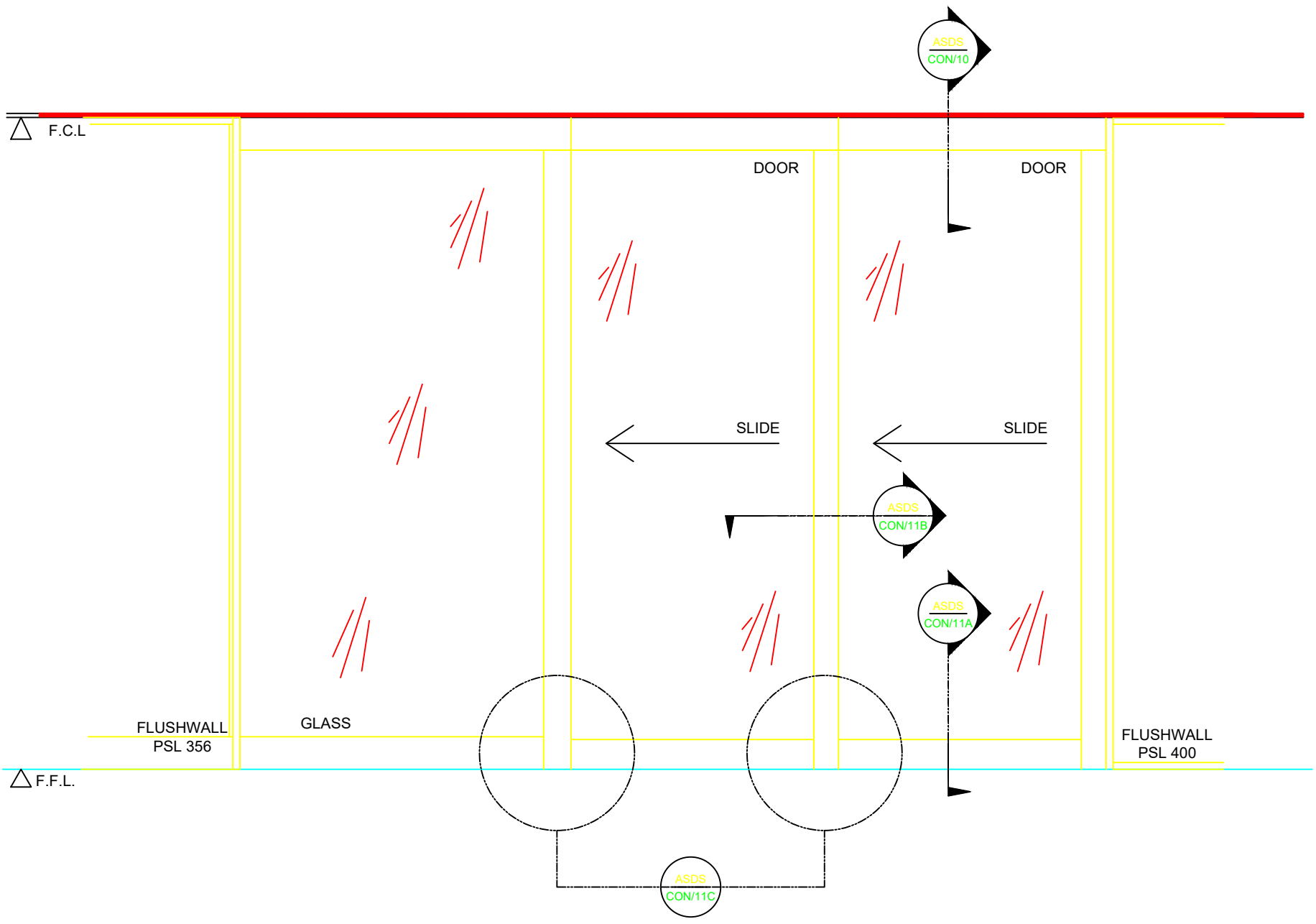






For more information regarding this profile, visit: [www.autexpsl.co.nz](http://www.autexpsl.co.nz)

Autex PSL LTD, Private Bag 19988, Avondale 1746, Auckland  
 Freephone 0800 82 80 80, [sales@autexpsl.co.nz](mailto:sales@autexpsl.co.nz)

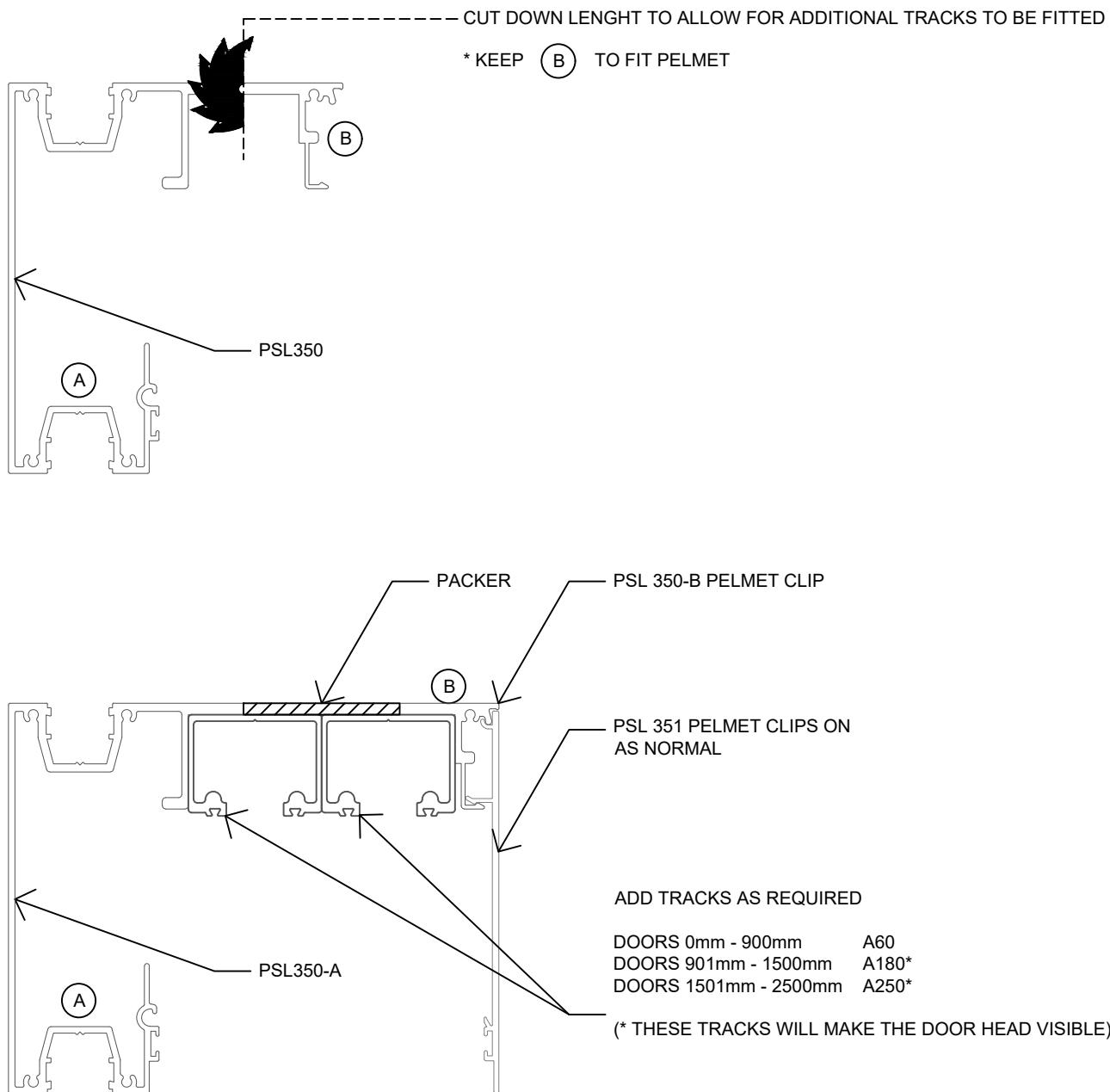


For more information regarding this profile, visit: [www.autexpsl.co.nz](http://www.autexpsl.co.nz)

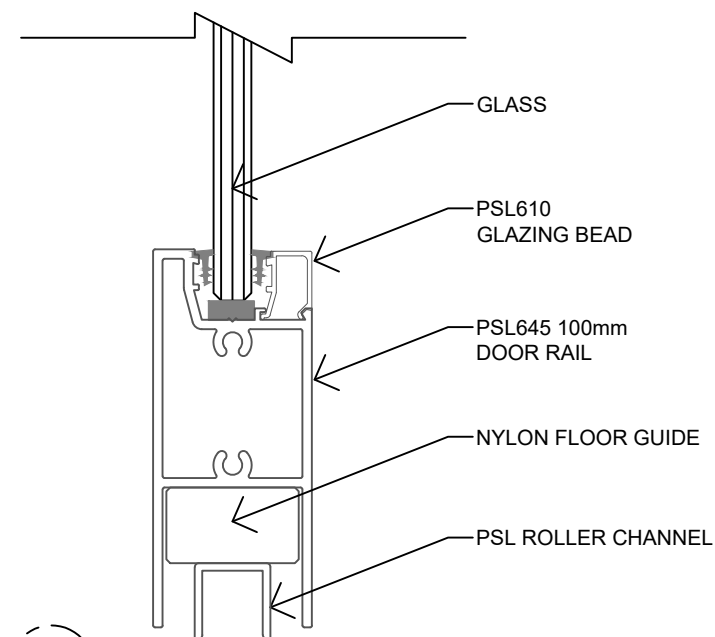
Autex PSL LTD, Private Bag 19988, Avondale 1746, Auckland

Freephone 0800 82 80 80, [sales@autexpsl.co.nz](mailto:sales@autexpsl.co.nz)

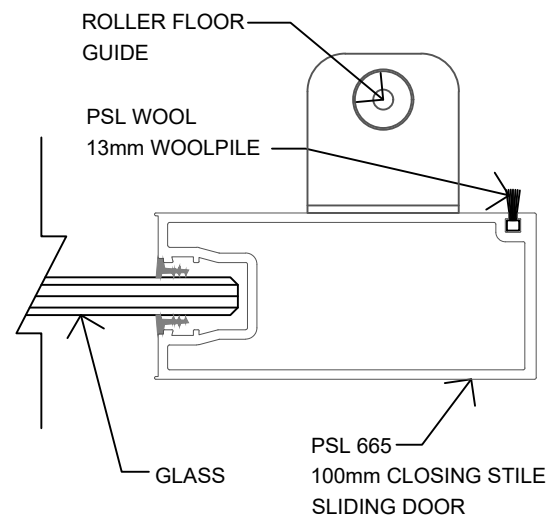
© Images are copyright & property of Autex PSL Limited



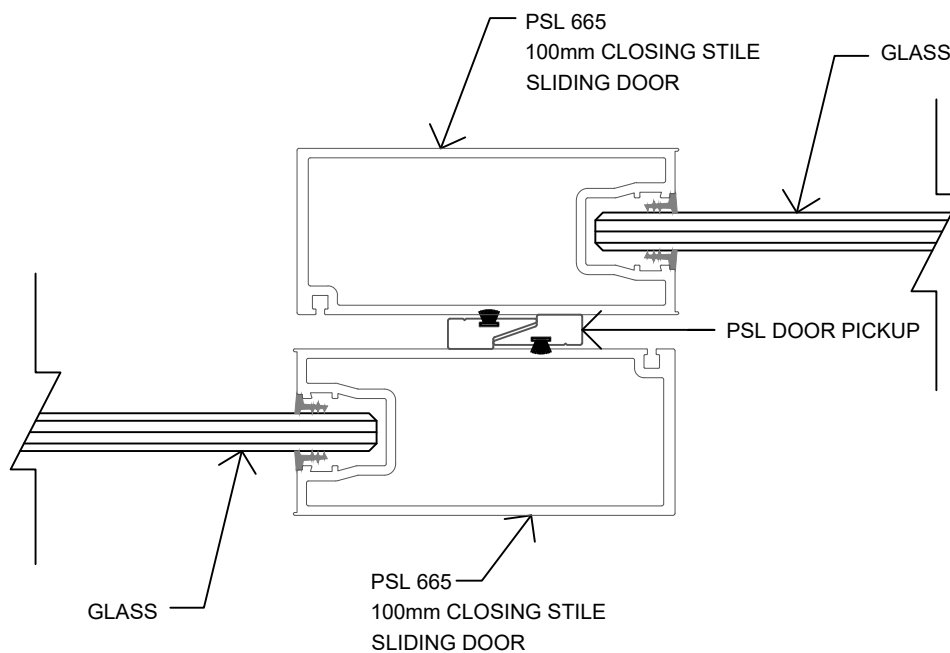




ASDS  
CON/11A



ASDS  
CON/11B

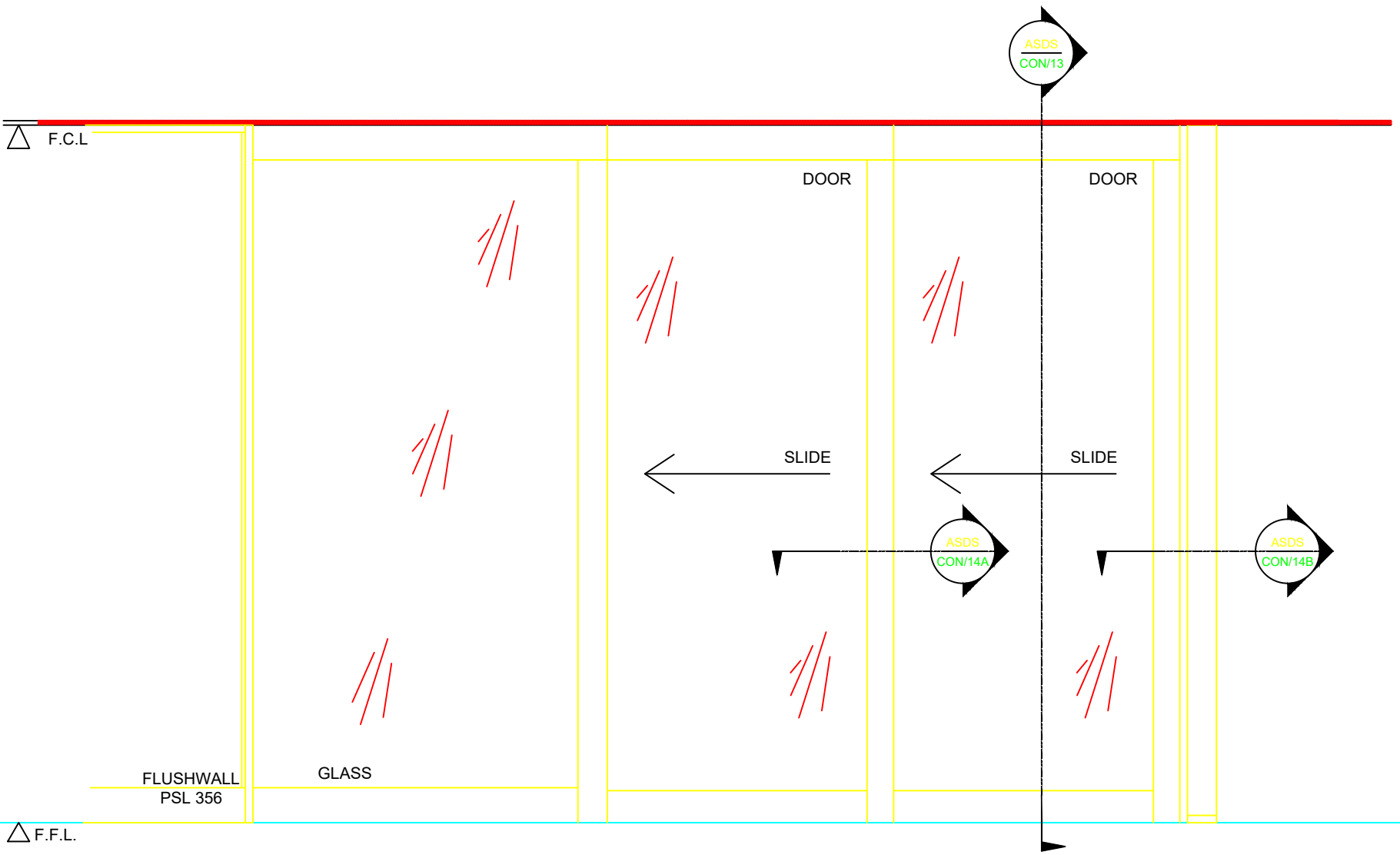


ASDS  
CON/11C

For more information regarding this profile, visit: [www.autexpsl.co.nz](http://www.autexpsl.co.nz)

Autex PSL LTD, Private Bag 19988, Avondale 1746, Auckland  
 Freephone 0800 82 80 80, [sales@autexpsl.co.nz](mailto:sales@autexpsl.co.nz)

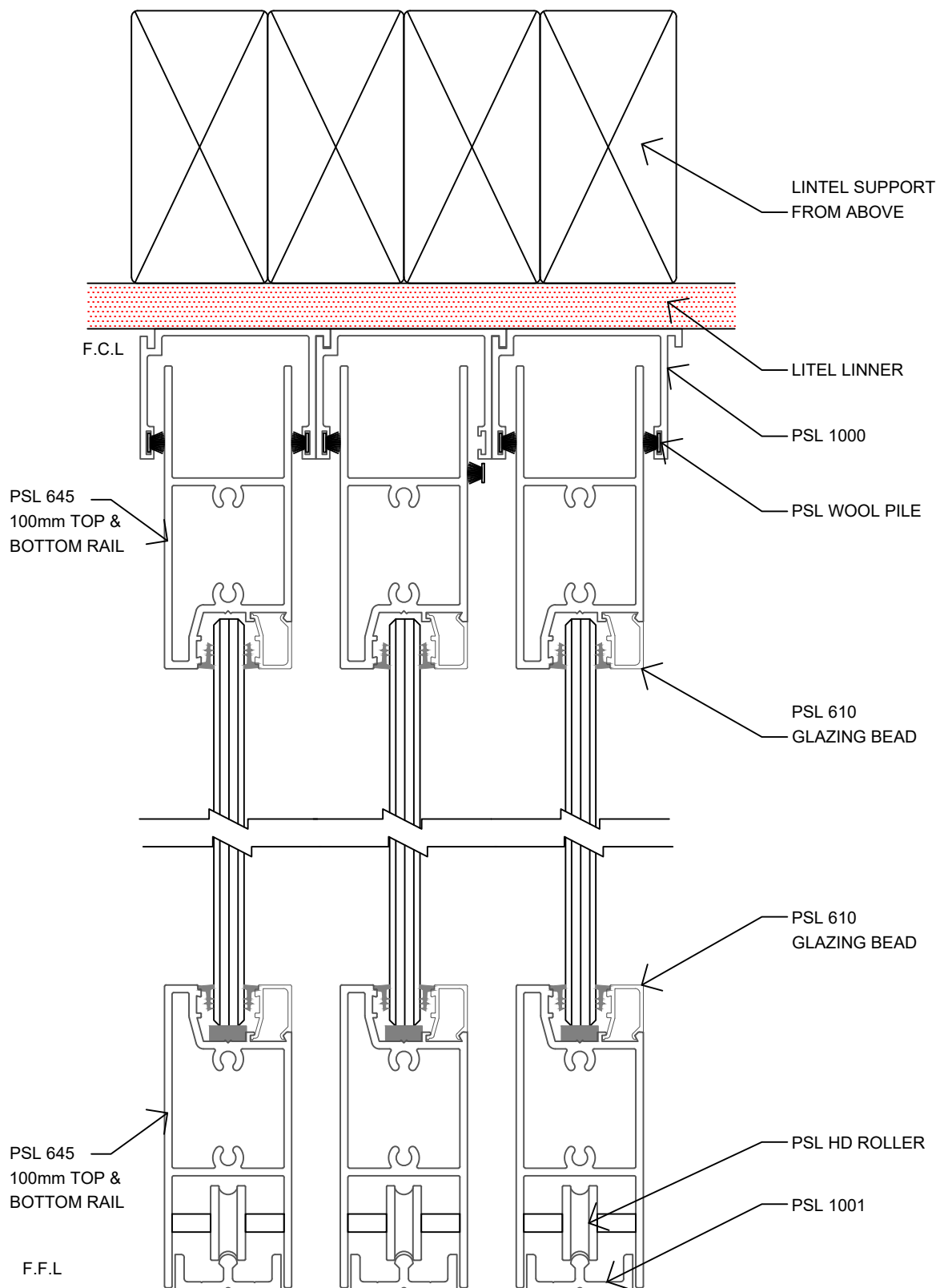
© Images are copyright & property of Autex PSL Limited



For more information regarding this profile, visit: [www.autexpsl.co.nz](http://www.autexpsl.co.nz)

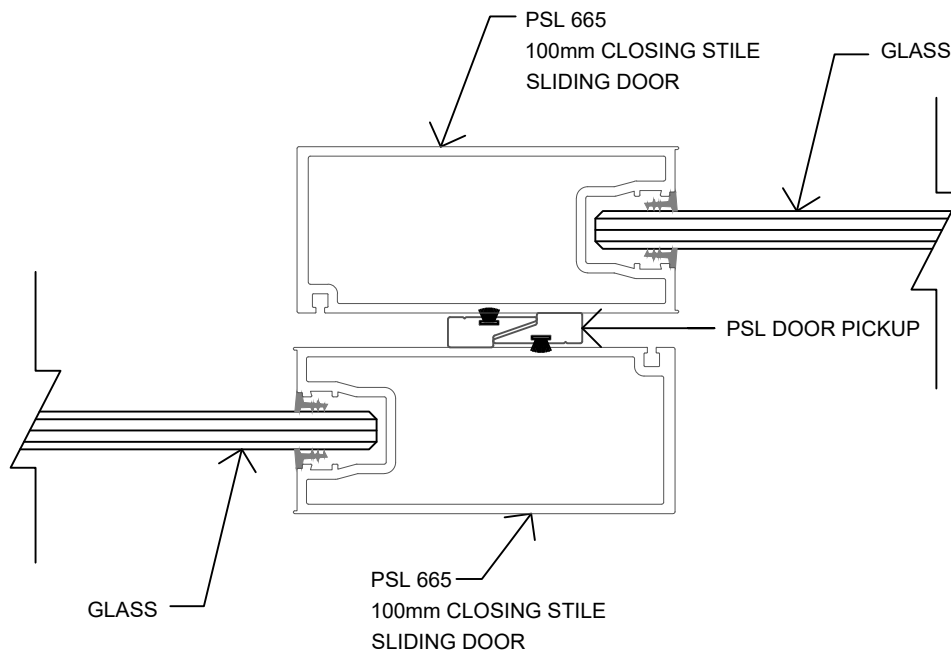
Autex PSL LTD, Private Bag 19988, Avondale 1746, Auckland  
 Freephone 0800 82 80 80, [sales@autexpsl.co.nz](mailto:sales@autexpsl.co.nz)

© Images are copyright & property of Autex PSL Limited

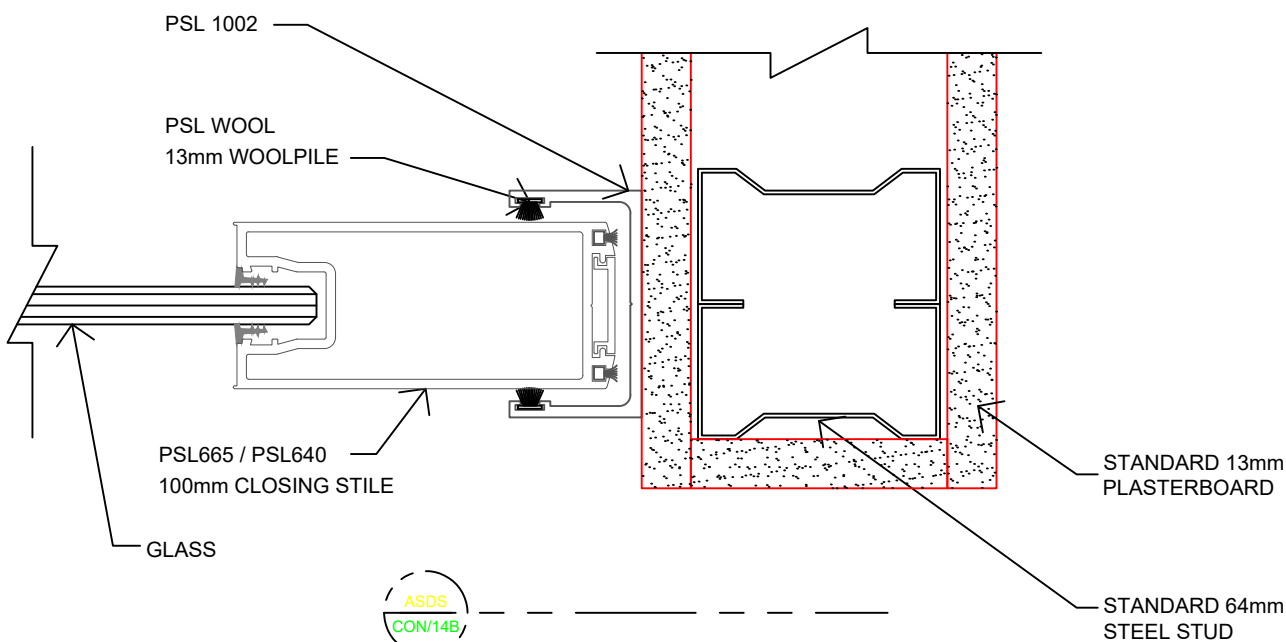


For more information regarding this profile, visit: [www.autexpsl.co.nz](http://www.autexpsl.co.nz)

Autex PSL LTD, Private Bag 19988, Avondale 1746, Auckland  
 Freephone 0800 82 80 80, [sales@autexpsl.co.nz](mailto:sales@autexpsl.co.nz)



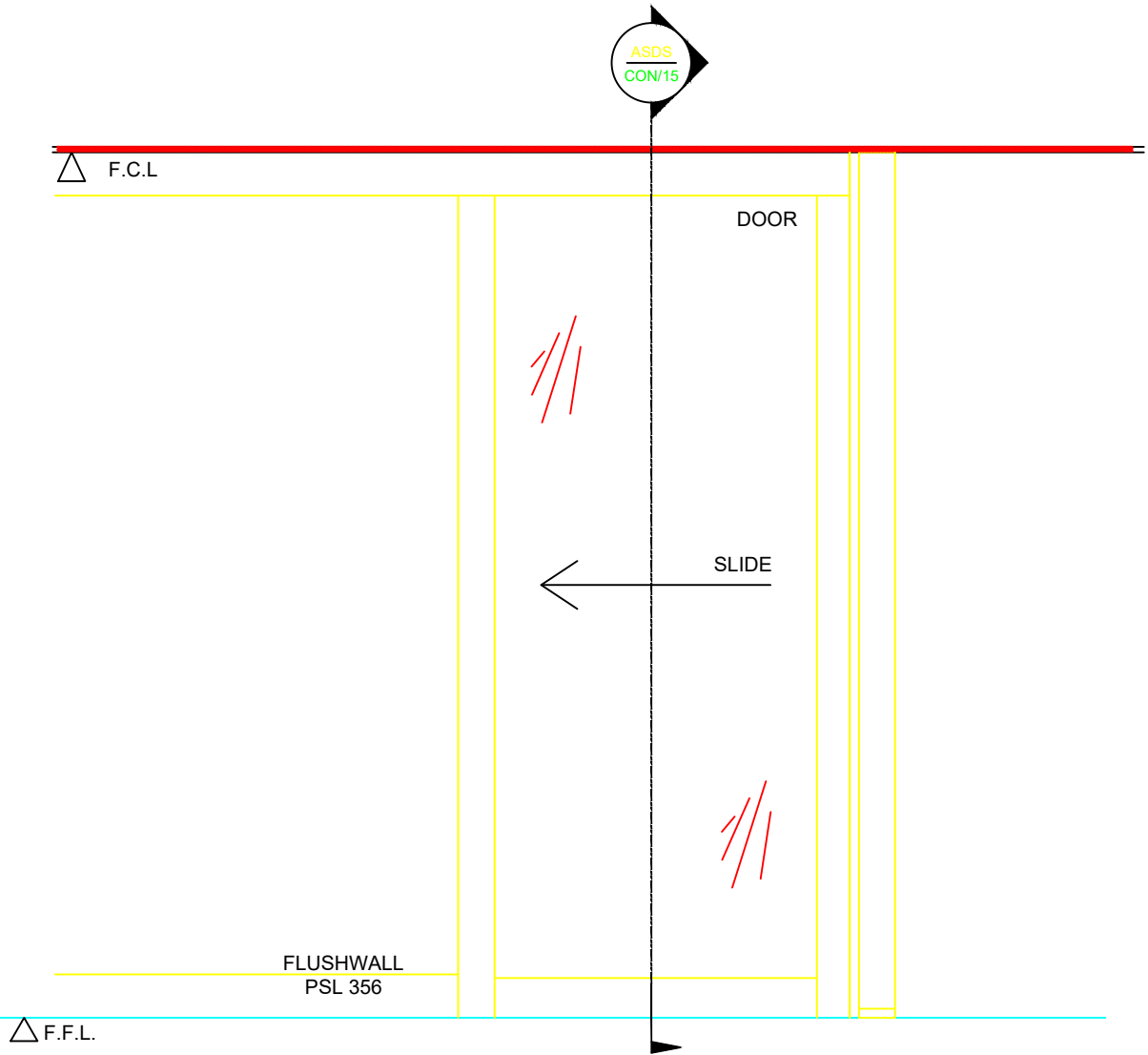
ASDS  
CON/14A



ASDS  
CON/14B

For more information regarding this profile, visit: [www.autexpsl.co.nz](http://www.autexpsl.co.nz)

Autex PSL LTD, Private Bag 19988, Avondale 1746, Auckland  
 Freephone 0800 82 80 80, [sales@autexpsl.co.nz](mailto:sales@autexpsl.co.nz)

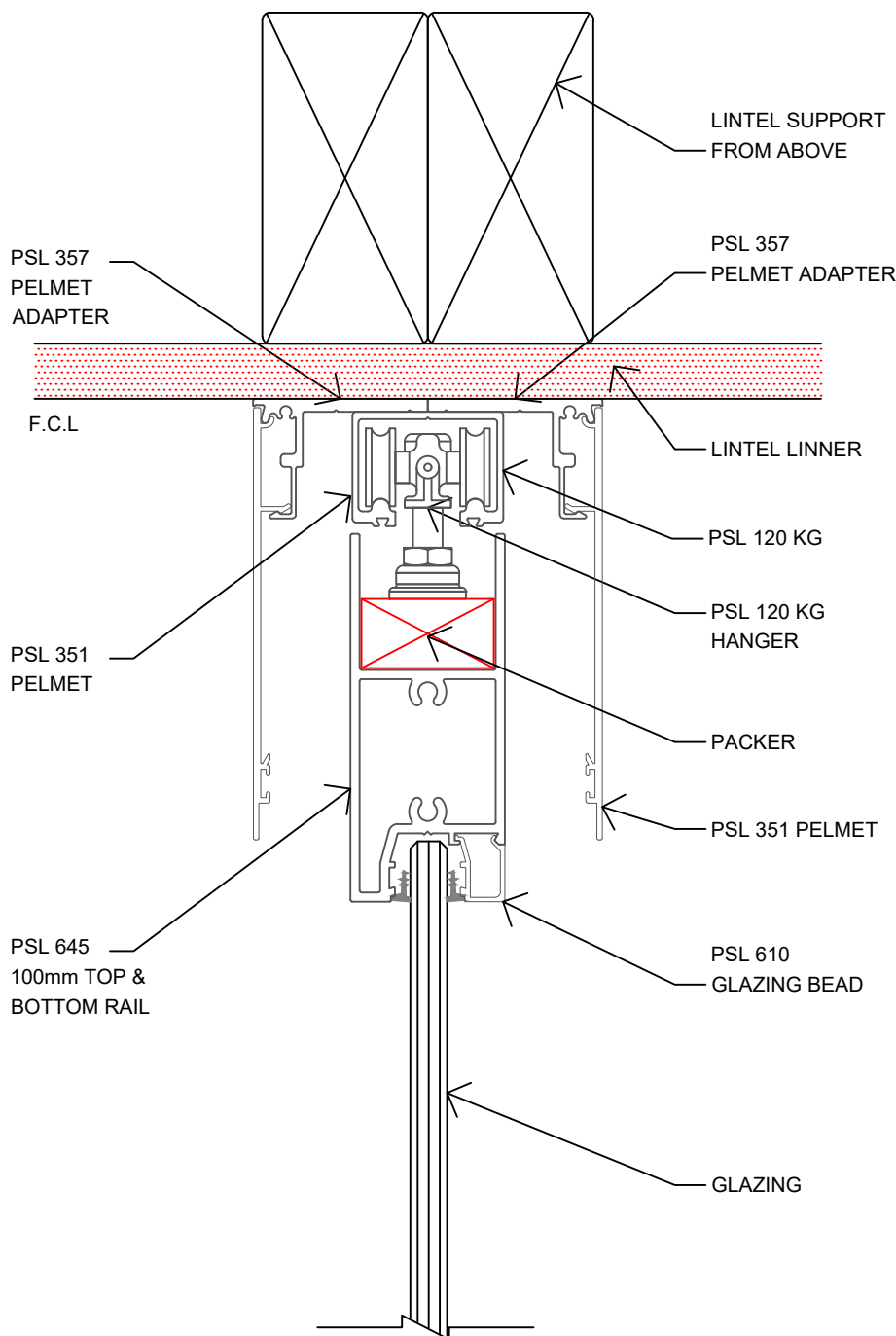


For more information regarding this profile, visit: [www.autexpsl.co.nz](http://www.autexpsl.co.nz)

Autex PSL LTD, Private Bag 19988, Avondale 1746, Auckland

Freephone 0800 82 80 80, [sales@autexpsl.co.nz](mailto:sales@autexpsl.co.nz)

© Images are copyright & property of Autex PSL Limited



NOTE: PSL357 CAN BE RIPPED DOWN TO BRIND THE PELMET CLOSER TO THE DOOR