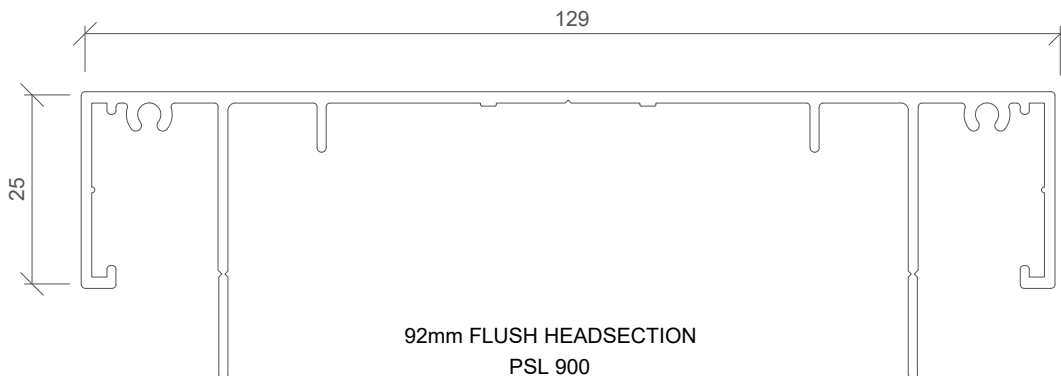
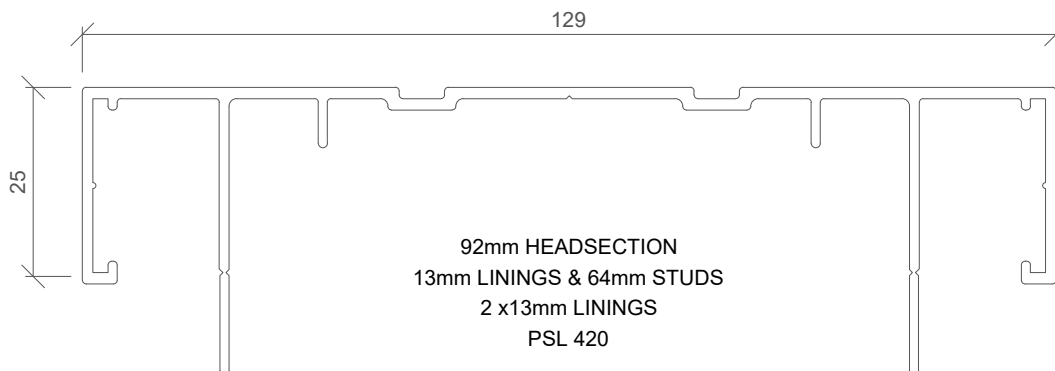
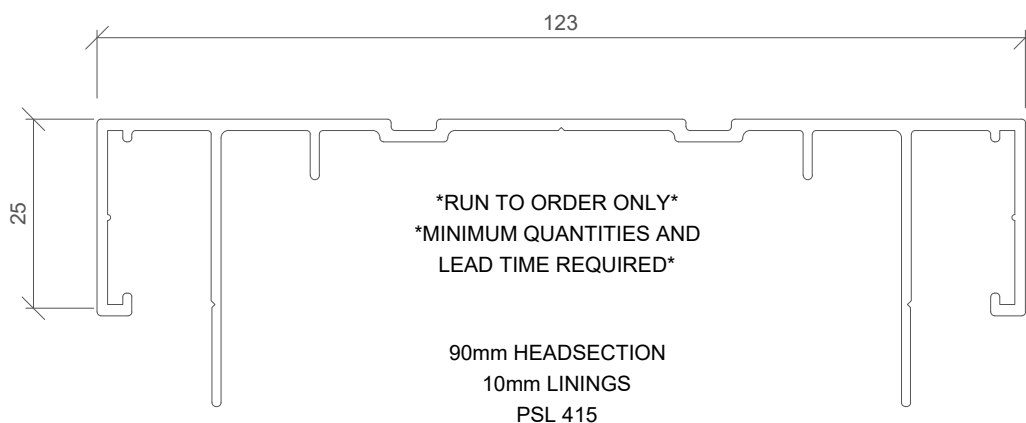
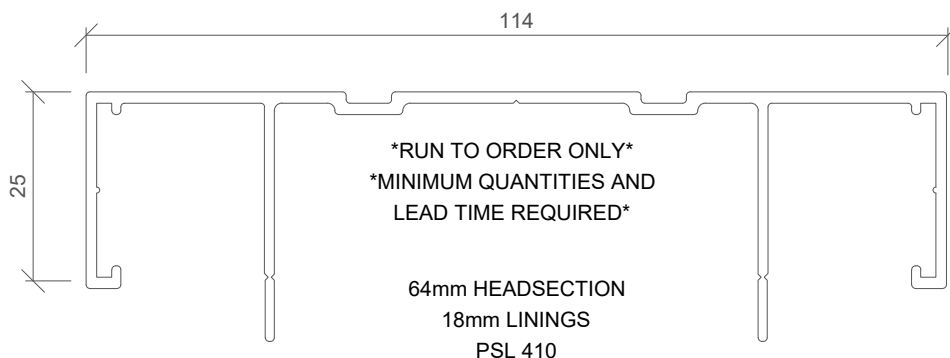


For more information regarding this profile, visit: [www.autexpsl.co.nz](http://www.autexpsl.co.nz)

Autex PSL LTD, Private Bag 19988, Avondale 1746, Auckland

Freephone 0800 82 80 80, [sales@autexpsl.co.nz](mailto:sales@autexpsl.co.nz)

© Images are copyright & property of Autex PSL Limited

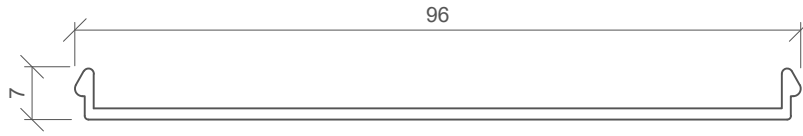


For more information regarding this profile, visit: [www.autexpsl.co.nz](http://www.autexpsl.co.nz)

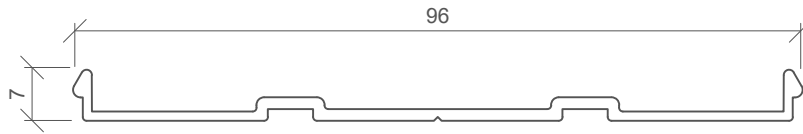
Autex PSL LTD, Private Bag 19988, Avondale 1746, Auckland

Freephone 0800 82 80 80, [sales@autexpsl.co.nz](mailto:sales@autexpsl.co.nz)

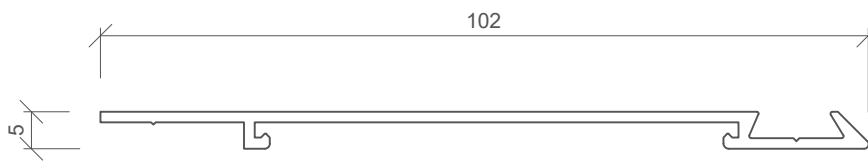
© Images are copyright & property of Autex PSL Limited



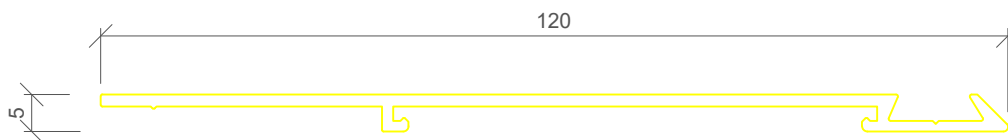
FLUSH STARTER CAP  
PSL 537



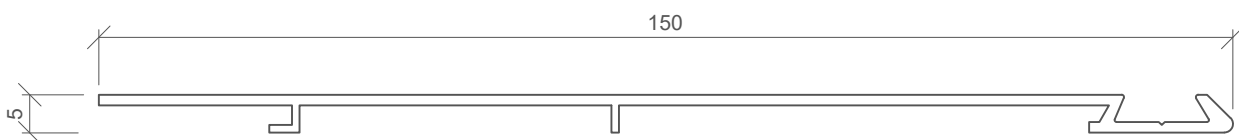
STARTER CAP  
PSL 125



100mm SKIRTING  
PSL 601



120mm SKIRTING  
PSL 356



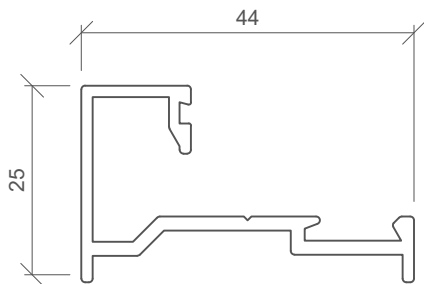
150mm SKIRTING  
PSL 602

For more information regarding this profile, visit: [www.autexpsl.co.nz](http://www.autexpsl.co.nz)

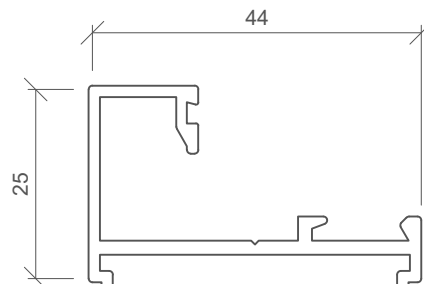
Autex PSL LTD, Private Bag 19988, Avondale 1746, Auckland

Freephone 0800 82 80 80, [sales@autexpsl.co.nz](mailto:sales@autexpsl.co.nz)

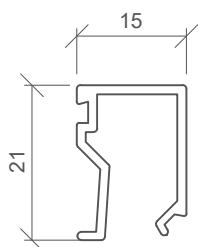
© Images are copyright & property of Autex PSL Limited



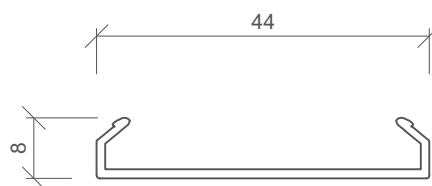
GLAZING BAR-STANDARD  
 PSL 205



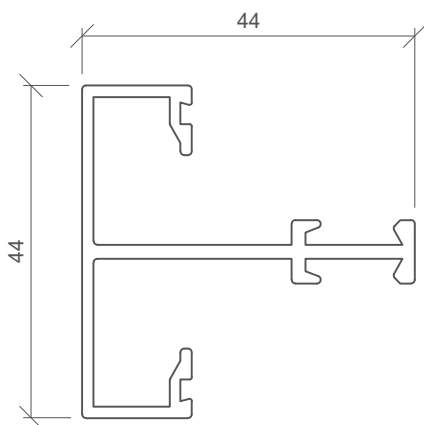
GLAZING BAR WITH LEGS  
 (GLAZING BAR 2)  
 PSL 210



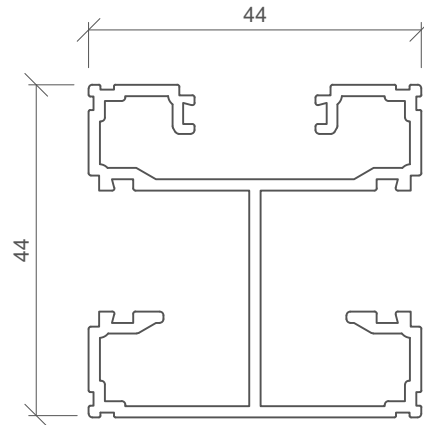
GLAZING BEAD  
 PSL 215



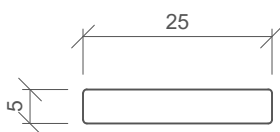
GLAZING FLUSH CAP  
 PSL 220



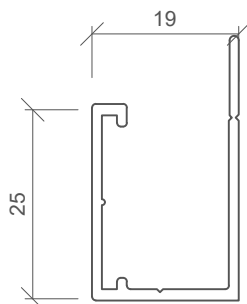
GLAZING MULLION  
 PSL 225



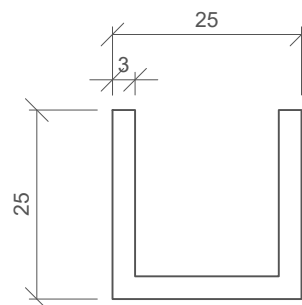
3-WAY GLAZING POST  
 PSL 235



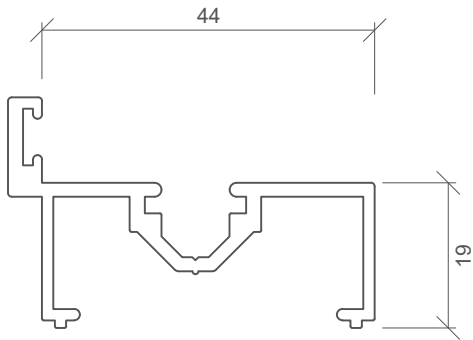
FLAT BAR  
 PSL 130



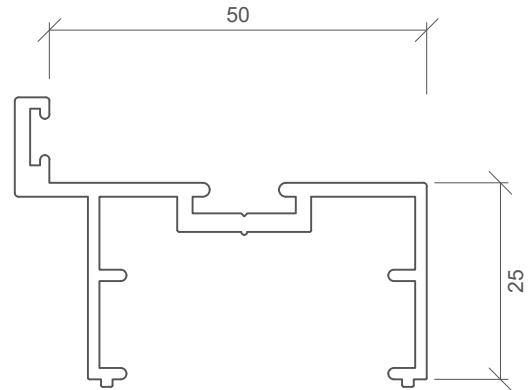
GIB LINING CAP  
 PSL 325



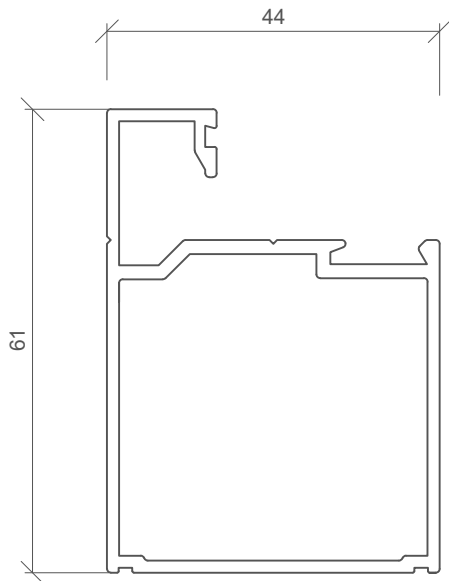
25 X 25 X 3 CHANNEL  
 PSL 320



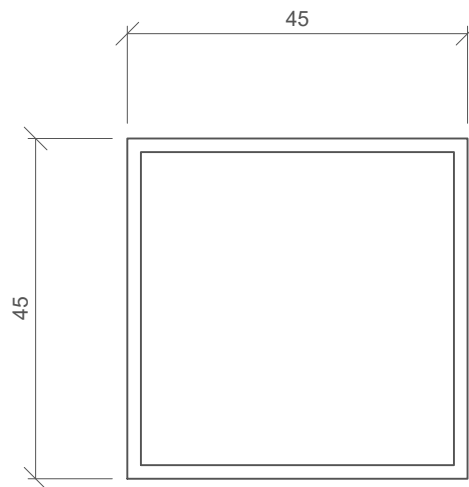
DOOR JAMB-STANDARD  
PSL 305



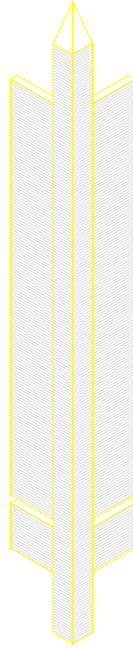
DOOR JAMB-50mm DOOR  
(DOOR JAMB 2)  
PSL 310



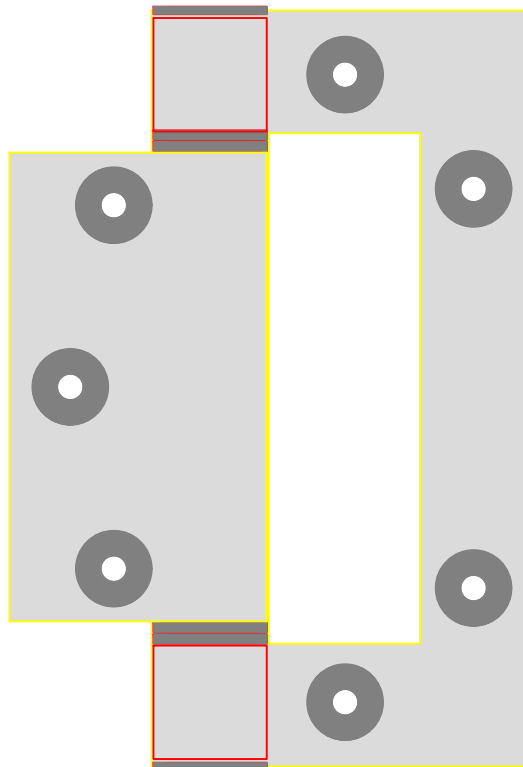
DOOR PILLAR POST  
PSL 315



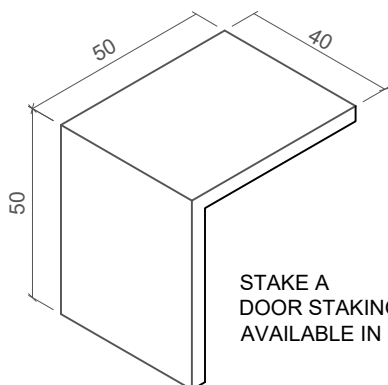
BOX SECTION  
PSL 300



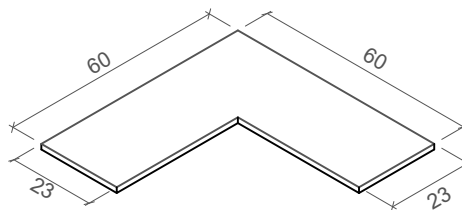
100mm & 150mm  
SKIRTING CORNER / END CAP  
PSL CNR



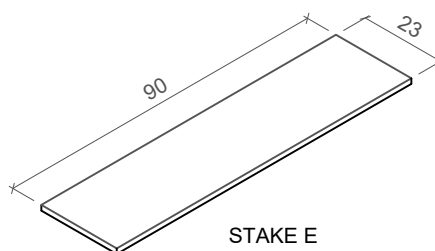
PRE-EASED ALUMINIUM HINGE  
PSL HINGE



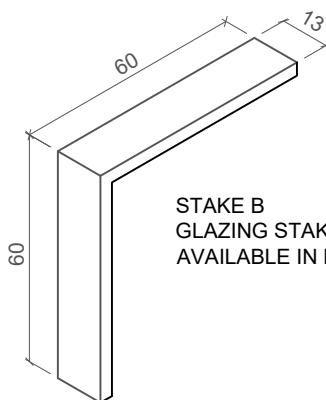
STAKE A  
 DOOR STAKING ANGLE.  
 AVAILABLE IN BAGS OF 20.



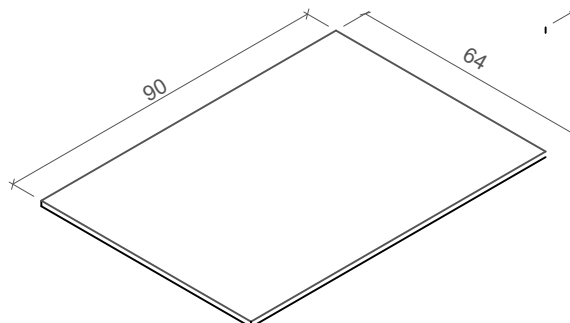
STAKE D  
 FLAT RIGHT ANGLE.  
 AVAILABLE IN BAGS OF 50.



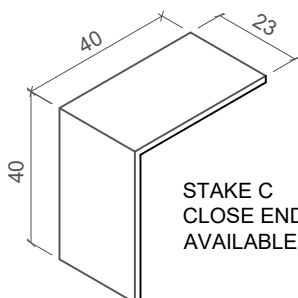
STAKE E  
 HEAD SECTION JOINTER.  
 AVAILABLE IN BAGS OF 50.



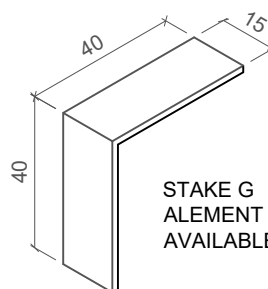
STAKE B  
 GLAZING STAKING ANGLE.  
 AVAILABLE IN BAGS OF 50.



STAKE F  
 GALVANISED HEAD SECTION JOINTER.  
 AVAILABLE IN BAGS OF 50.



STAKE C  
 CLOSE END ANGLE.  
 AVAILABLE IN BAGS OF 20.



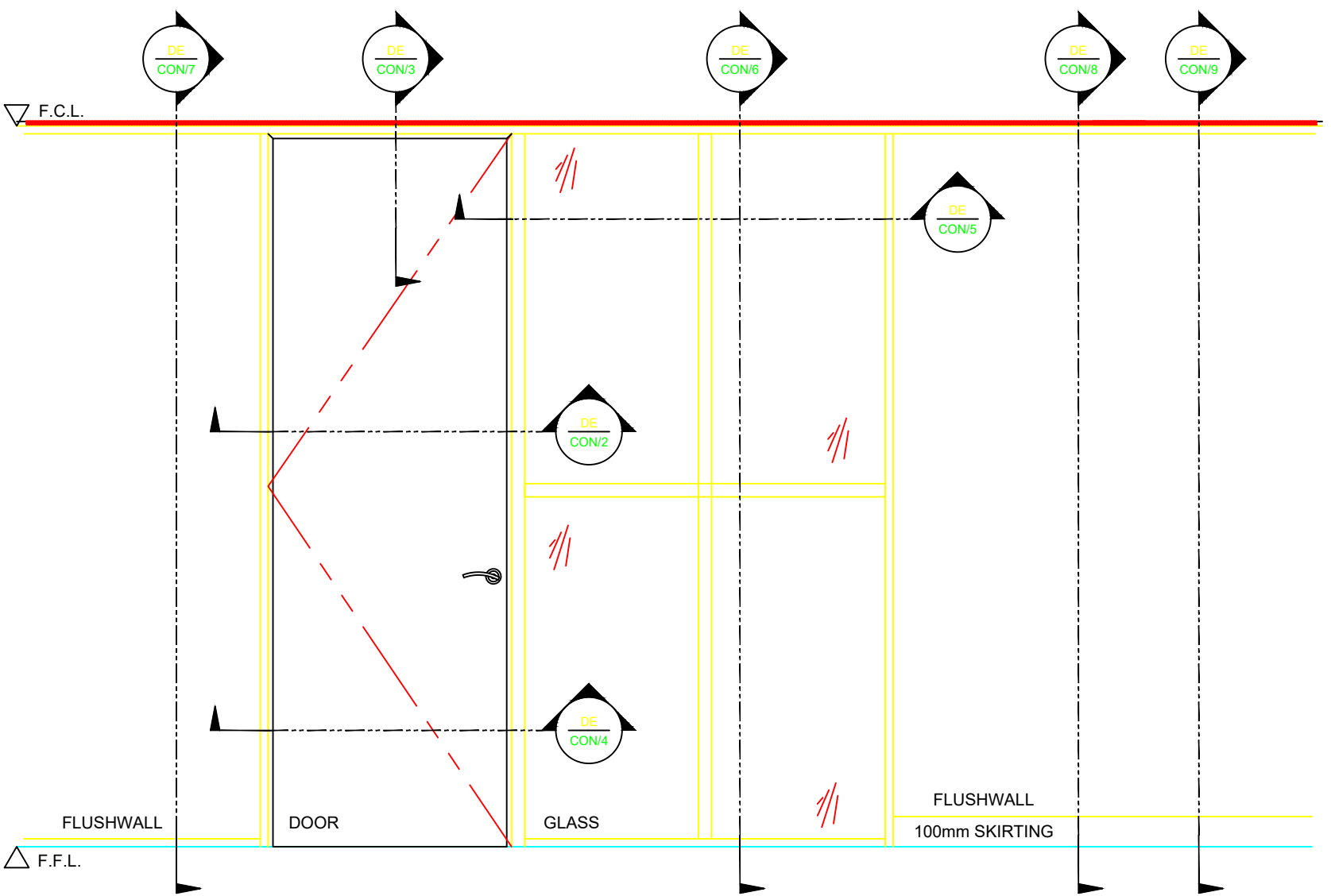
STAKE G  
 ELEMENT CLOSE END ANGLE.  
 AVAILABLE IN BAGS OF 50.

For more information regarding this profile, visit: [www.autexpsl.co.nz](http://www.autexpsl.co.nz)

Autex PSL LTD, Private Bag 19988, Avondale 1746, Auckland

Freephone 0800 82 80 80, [sales@autexpsl.co.nz](mailto:sales@autexpsl.co.nz)

© Images are copyright & property of Autex PSL Limited



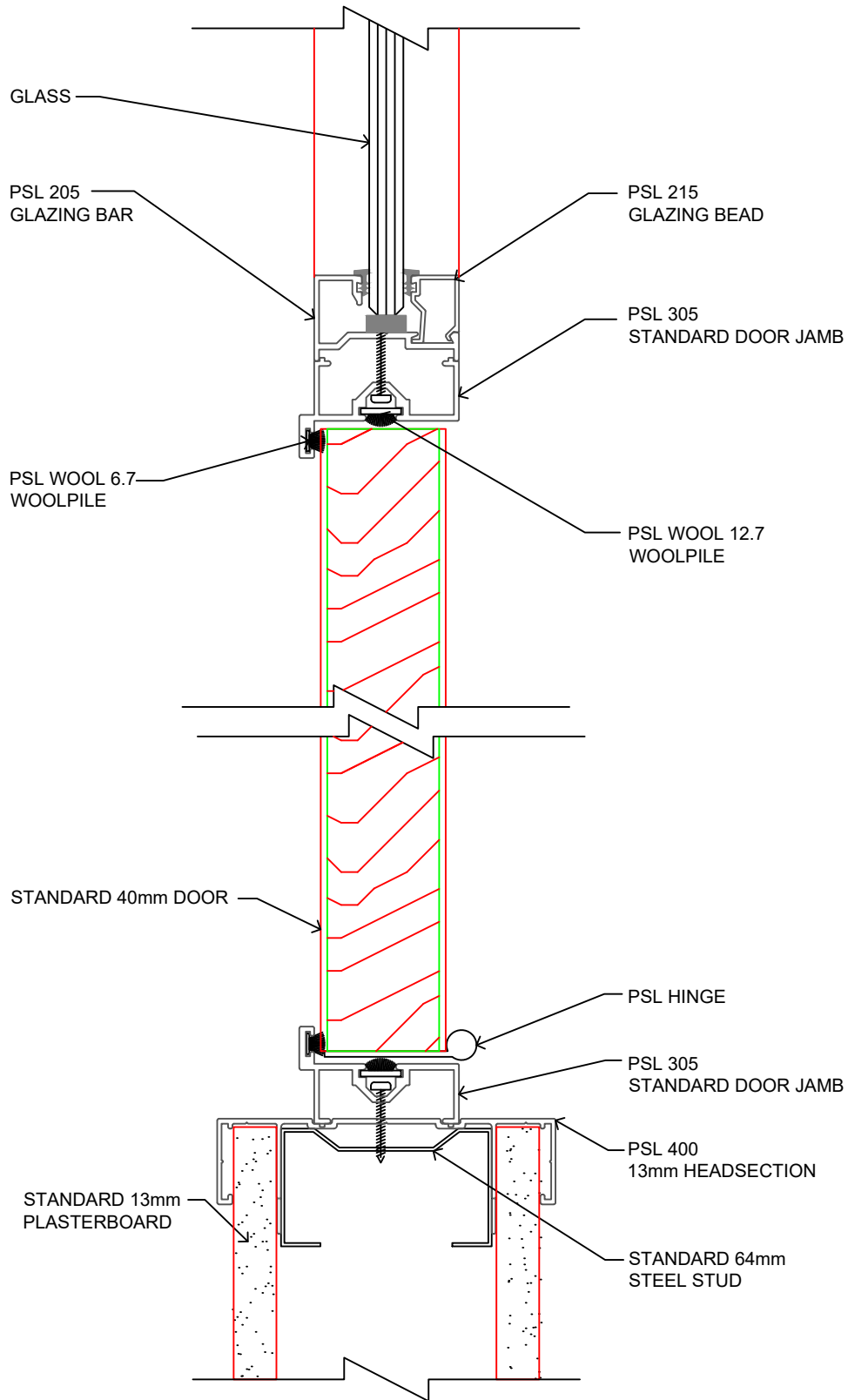
For more information regarding this profile, visit: [www.autexpsl.co.nz](http://www.autexpsl.co.nz)

Autex PSL LTD, Private Bag 19988, Avondale 1746, Auckland

Freephone 0800 82 80 80, [sales@autexpsl.co.nz](mailto:sales@autexpsl.co.nz)

© Images are copyright & property of Autex PSL Limited

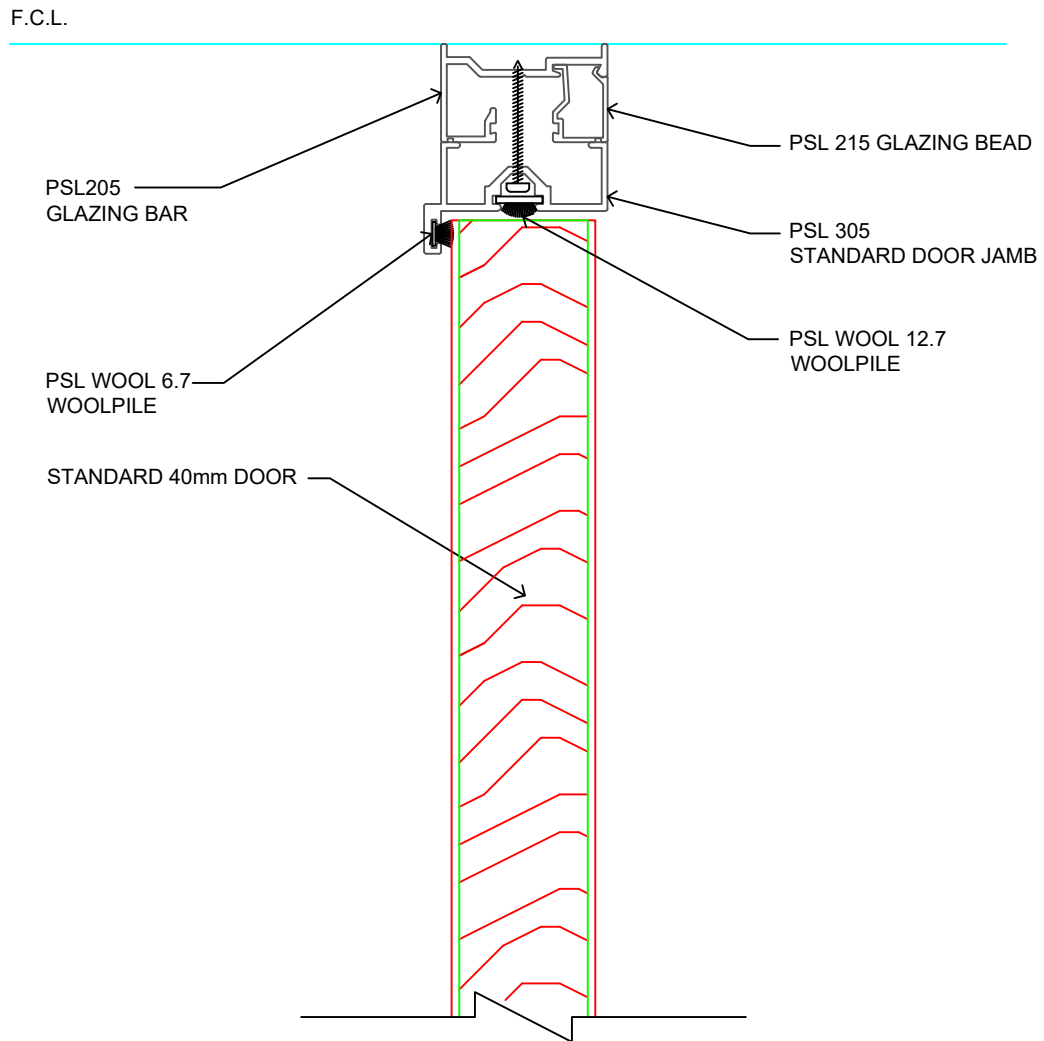


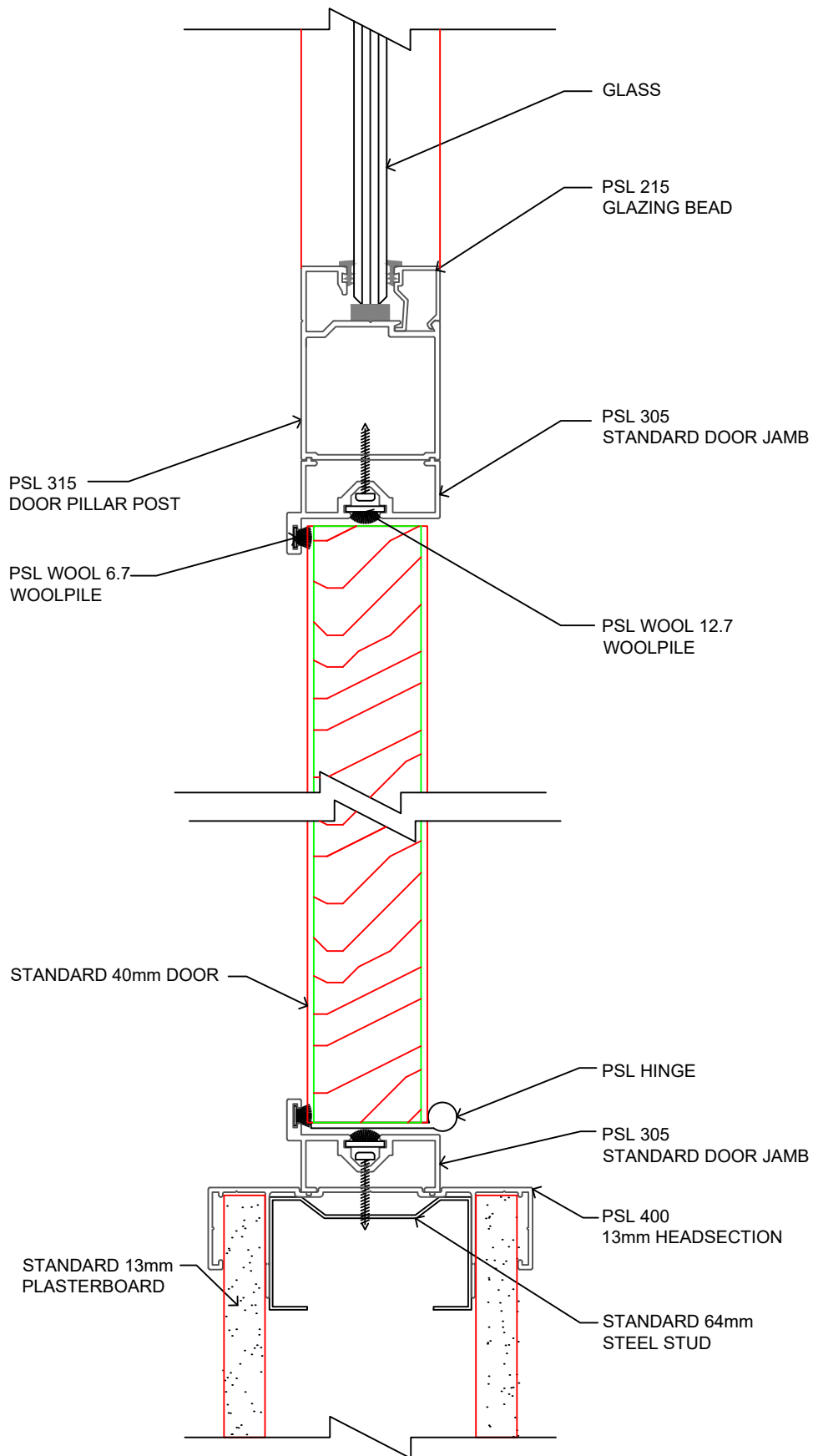


For more information regarding this profile, visit: [www.autexpsl.co.nz](http://www.autexpsl.co.nz)

Autex PSL LTD, Private Bag 19988, Avondale 1746, Auckland  
 Freephone 0800 82 80 80, [sales@autexpsl.co.nz](mailto:sales@autexpsl.co.nz)

© Images are copyright & property of Autex PSL Limited



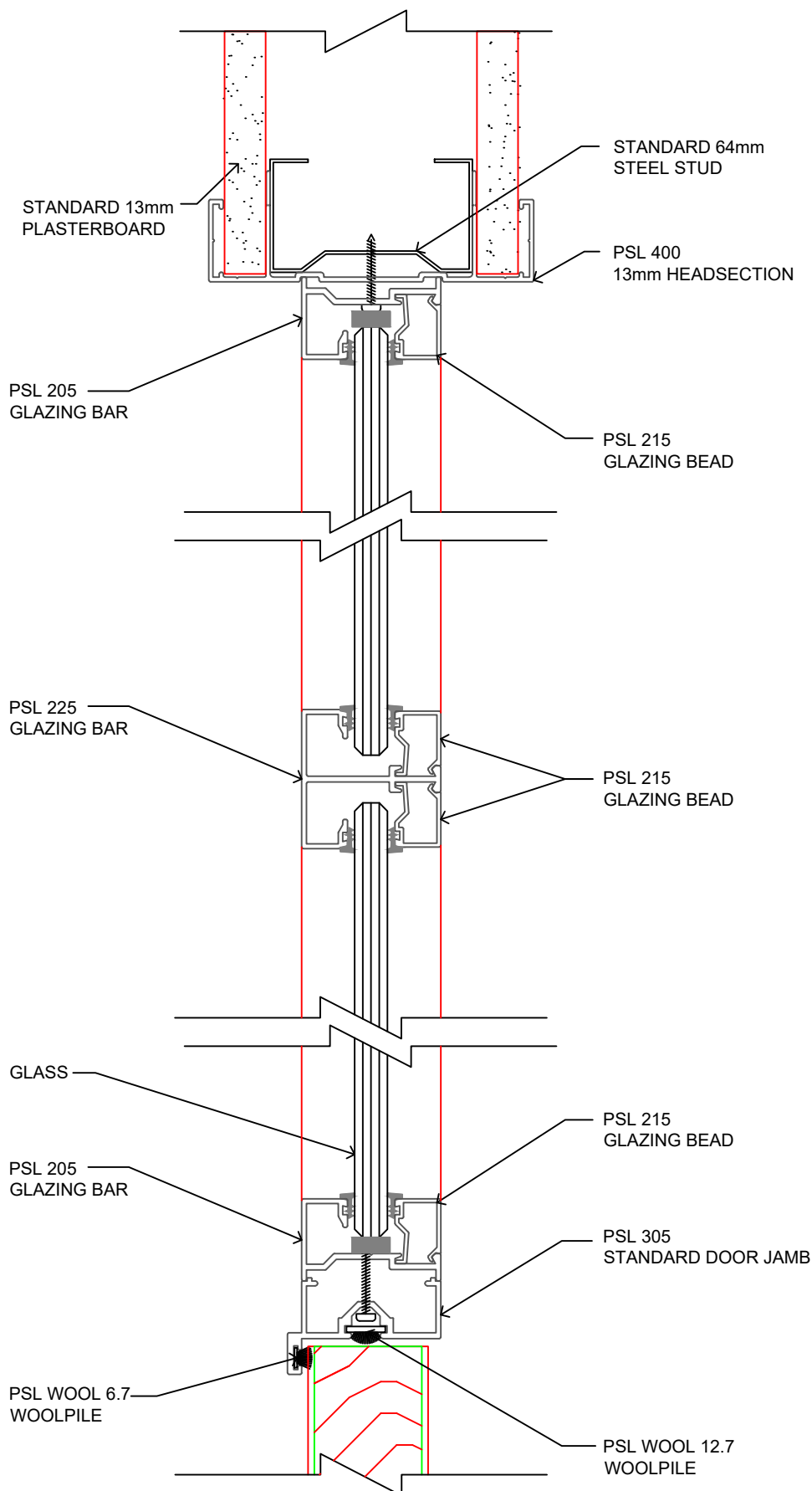


For more information regarding this profile, visit: [www.autexpsl.co.nz](http://www.autexpsl.co.nz)

Autex PSL LTD, Private Bag 19988, Avondale 1746, Auckland

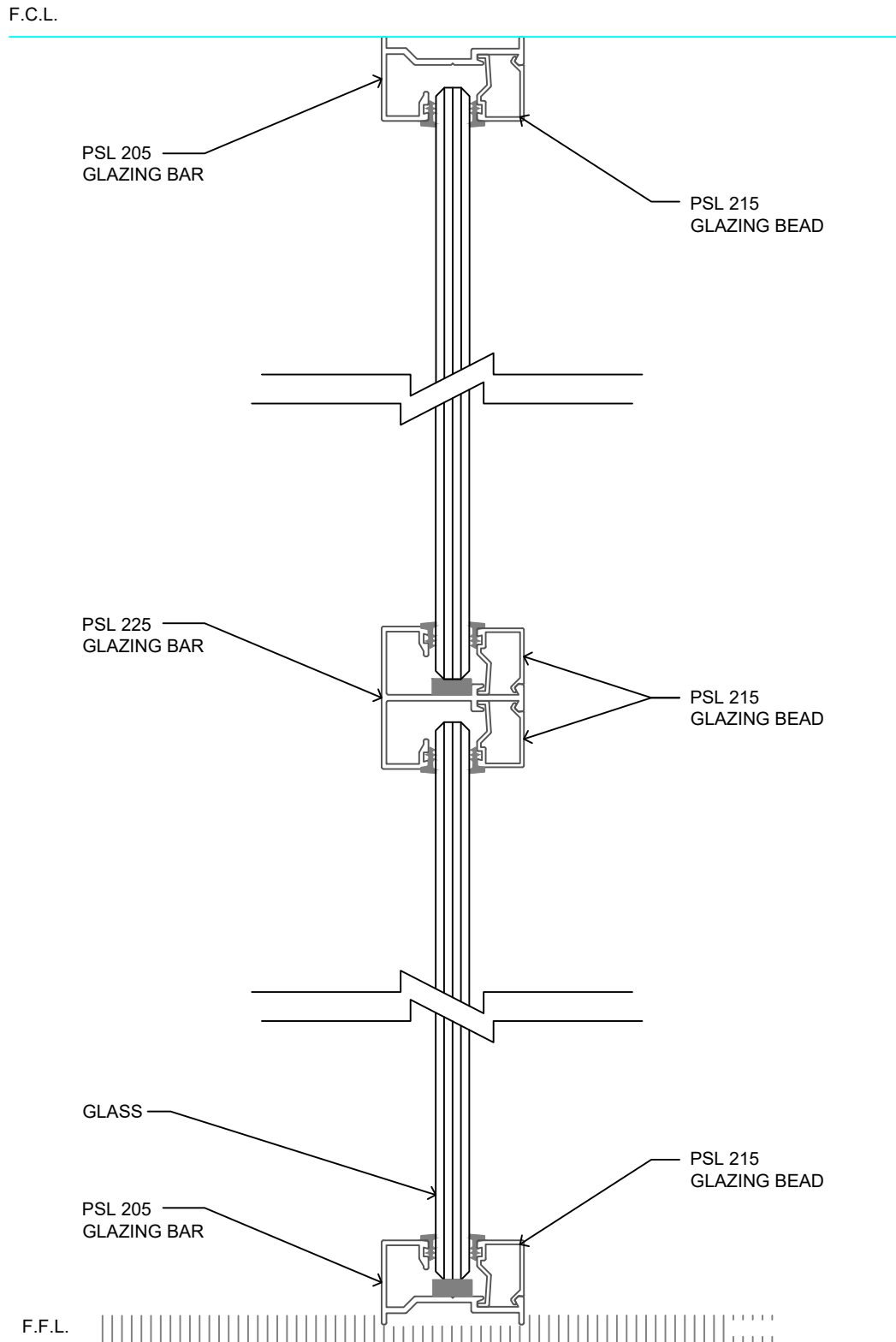
Freephone 0800 82 80 80, [sales@autexpsl.co.nz](mailto:sales@autexpsl.co.nz)

© Images are copyright & property of Autex PSL Limited



For more information regarding this profile, visit: [www.autexpsl.co.nz](http://www.autexpsl.co.nz)

Autex PSL LTD, Private Bag 19988, Avondale 1746, Auckland  
 Freephone 0800 82 80 80, [sales@autexpsl.co.nz](mailto:sales@autexpsl.co.nz)

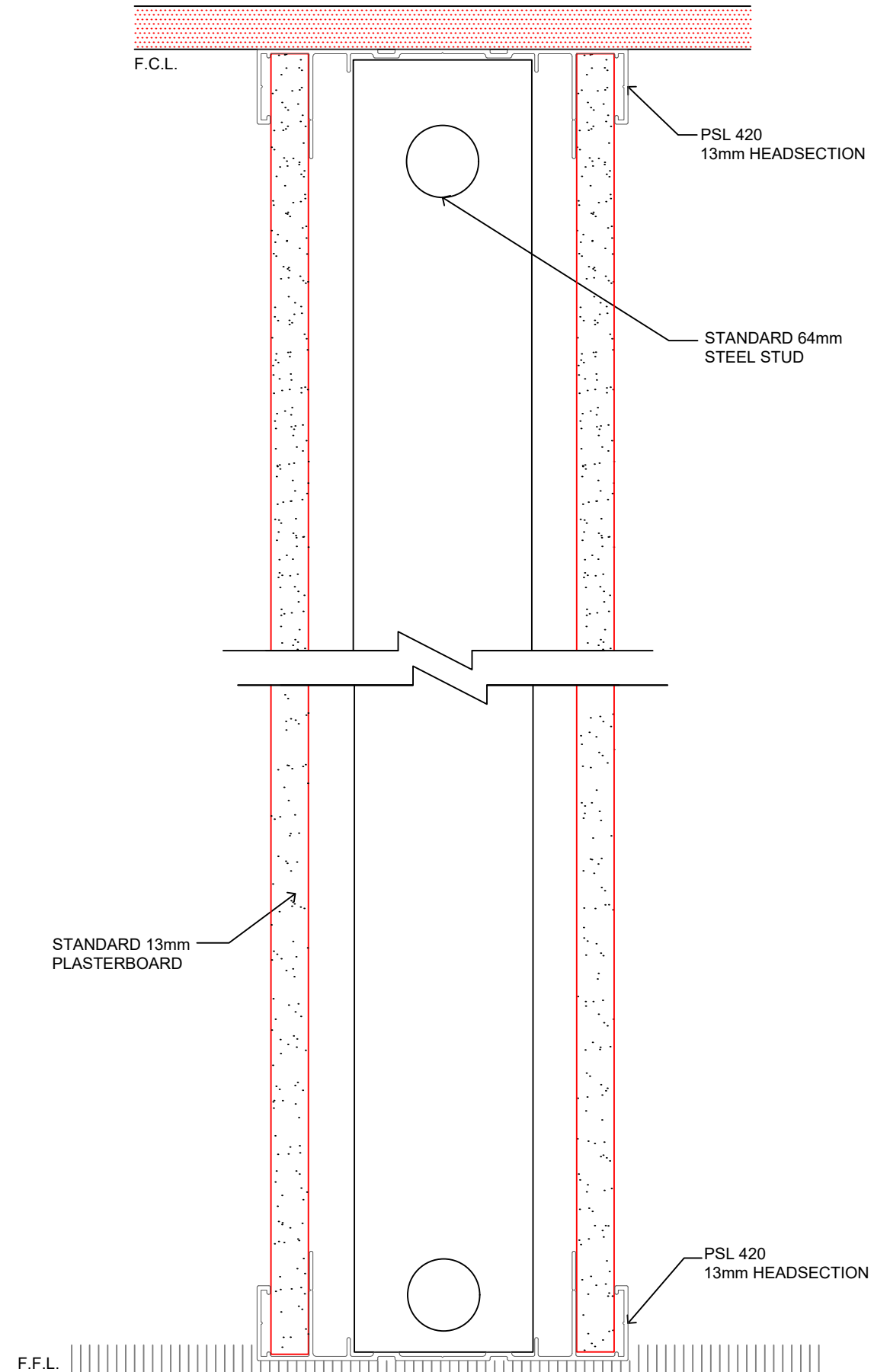


For more information regarding this profile, visit: [www.autexpsl.co.nz](http://www.autexpsl.co.nz)

Autex PSL LTD, Private Bag 19988, Avondale 1746, Auckland

Freephone 0800 82 80 80, [sales@autexpsl.co.nz](mailto:sales@autexpsl.co.nz)

© Images are copyright & property of Autex PSL Limited

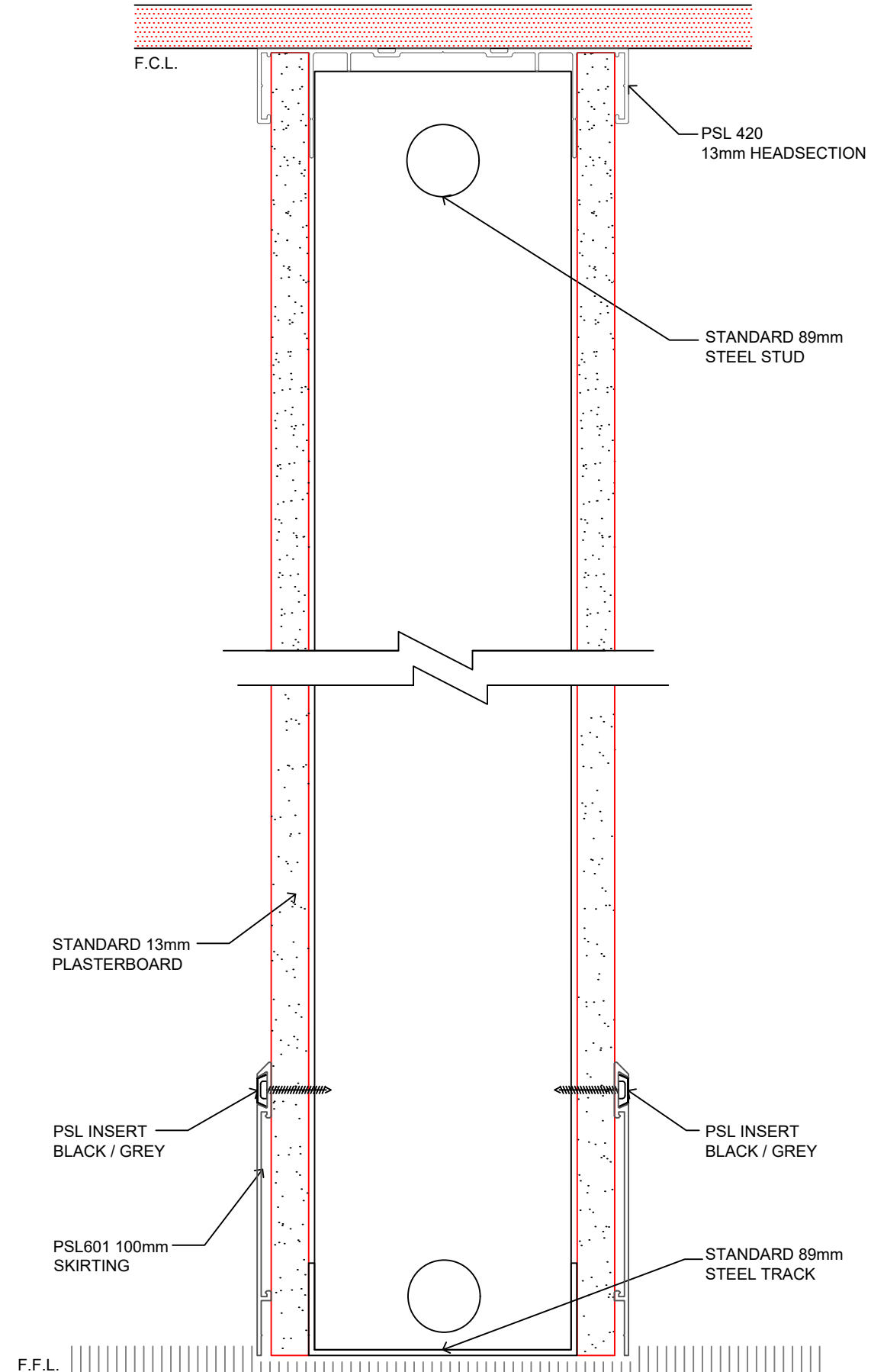


For more information regarding this profile, visit: [www.autexpsl.co.nz](http://www.autexpsl.co.nz)

Autex PSL LTD, Private Bag 19988, Avondale 1746, Auckland

Freephone 0800 82 80 80, [sales@autexpsl.co.nz](mailto:sales@autexpsl.co.nz)

© Images are copyright & property of Autex PSL Limited

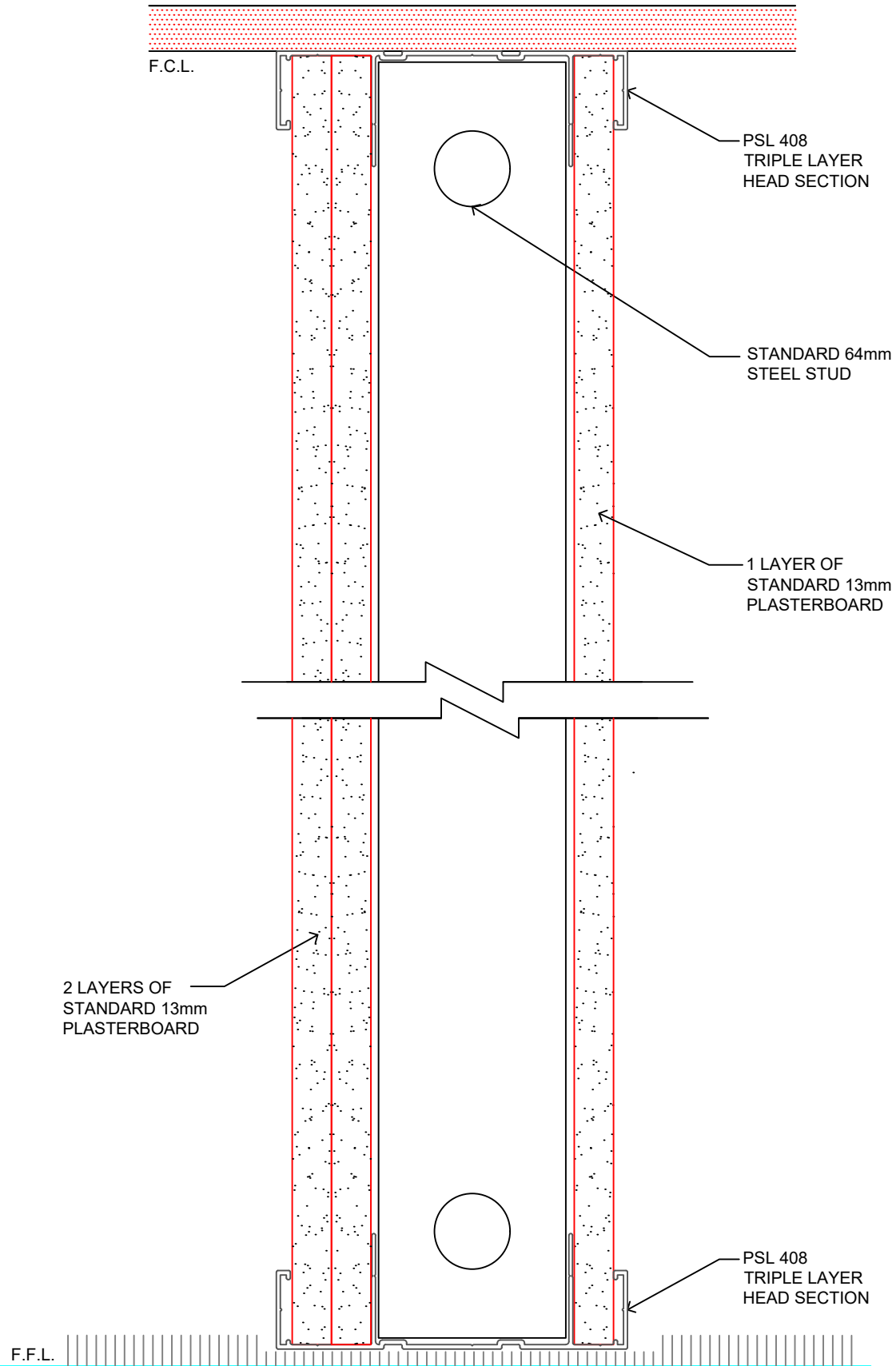


For more information regarding this profile, visit: [www.autexpsl.co.nz](http://www.autexpsl.co.nz)

Autex PSL LTD, Private Bag 19988, Avondale 1746, Auckland

Freephone 0800 82 80 80, [sales@autexpsl.co.nz](mailto:sales@autexpsl.co.nz)

© Images are copyright & property of Autex PSL Limited



For more information regarding this profile, visit: [www.autexpsl.co.nz](http://www.autexpsl.co.nz)

Autex PSL LTD, Private Bag 19988, Avondale 1746, Auckland

Freephone 0800 82 80 80, [sales@autexpsl.co.nz](mailto:sales@autexpsl.co.nz)

© Images are copyright & property of Autex PSL Limited