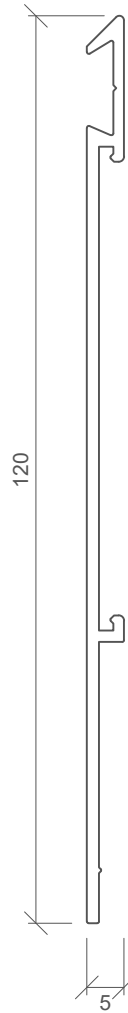
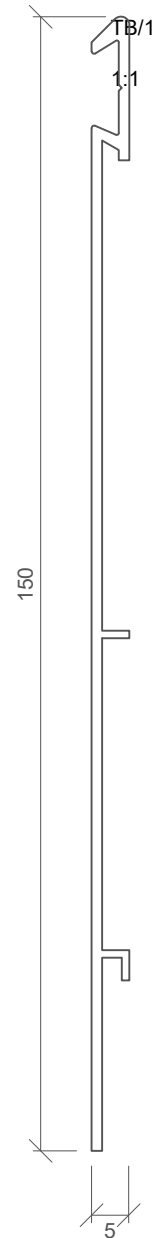


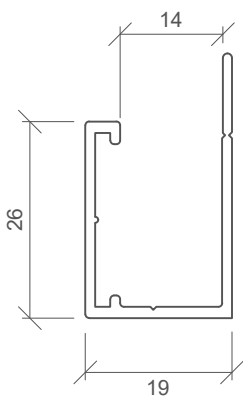
100mm SKIRTING  
 PSL 601



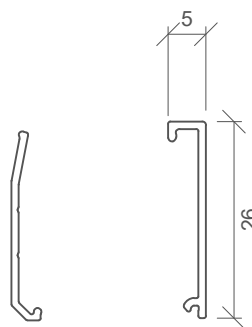
120mm SKIRTING  
 PSL 356



150mm SKIRTING  
 PSL 602

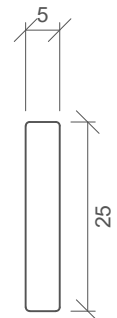


13mm GIB LINING CAP  
 PSL 325



TWO PIECE  
 25mm SKIRTING  
 BACK  
 PSL 132

TWO PIECE  
 25mm SKIRTING  
 FRONT  
 PSL 135

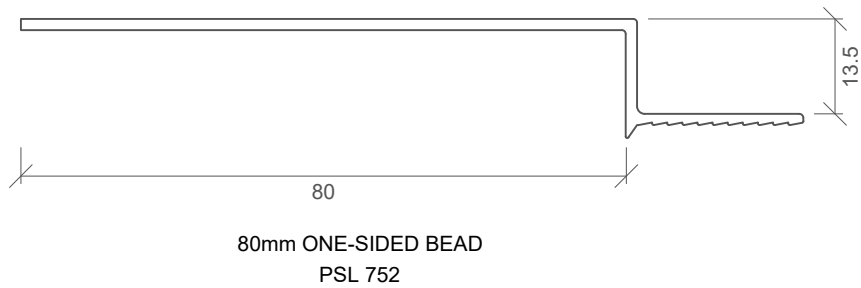
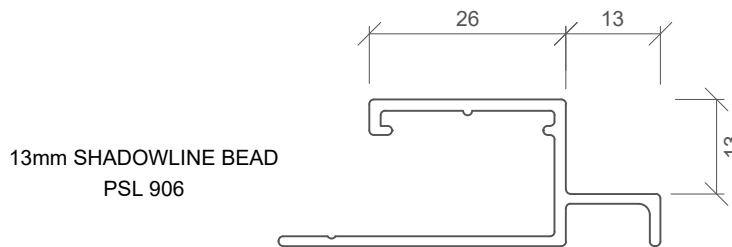
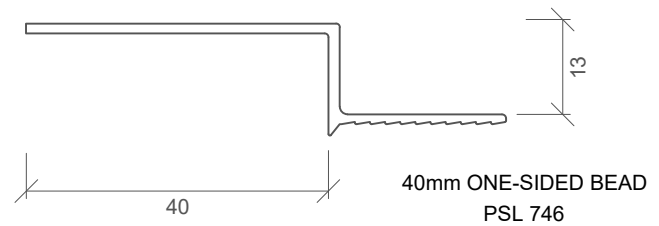
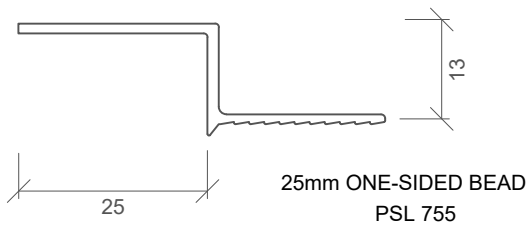
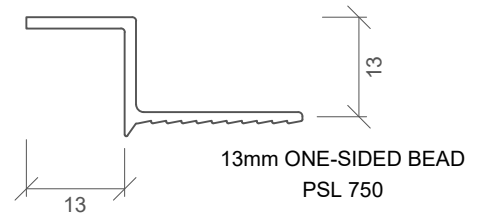
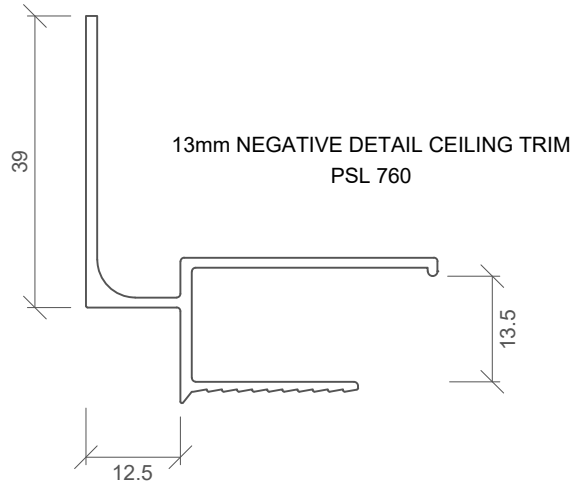


25mm FLAT BAR  
 PSL 130

For more information regarding this profile, visit: [www.autexpl.co.nz](http://www.autexpl.co.nz)

Autex PSL LTD, Private Bag 19988, Avondale 1746, Auckland  
 Freephone 0800 82 80 80, [sales@autexpl.co.nz](mailto:sales@autexpl.co.nz)

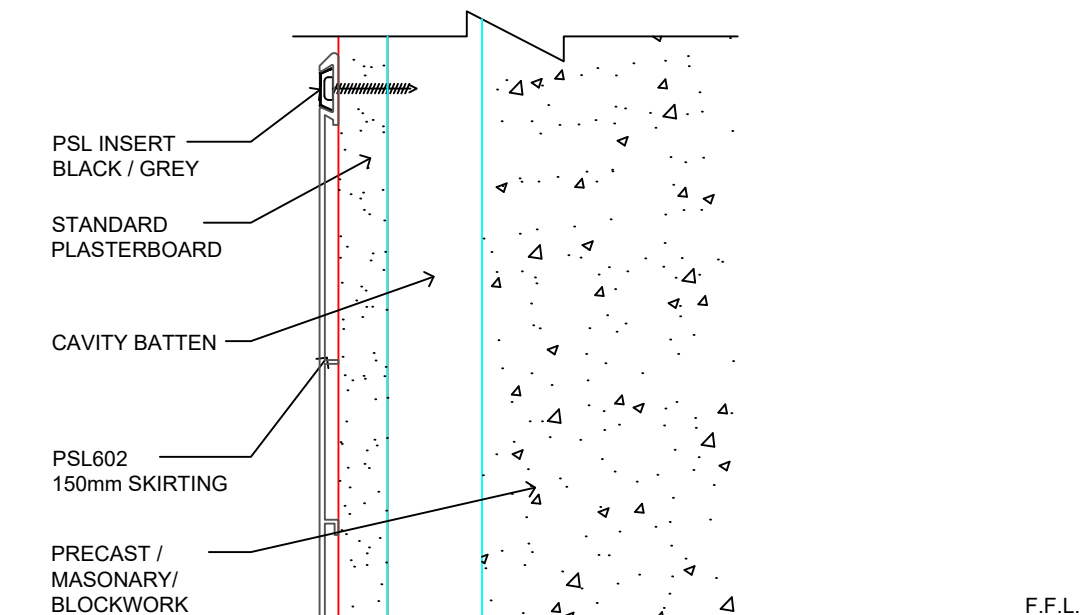
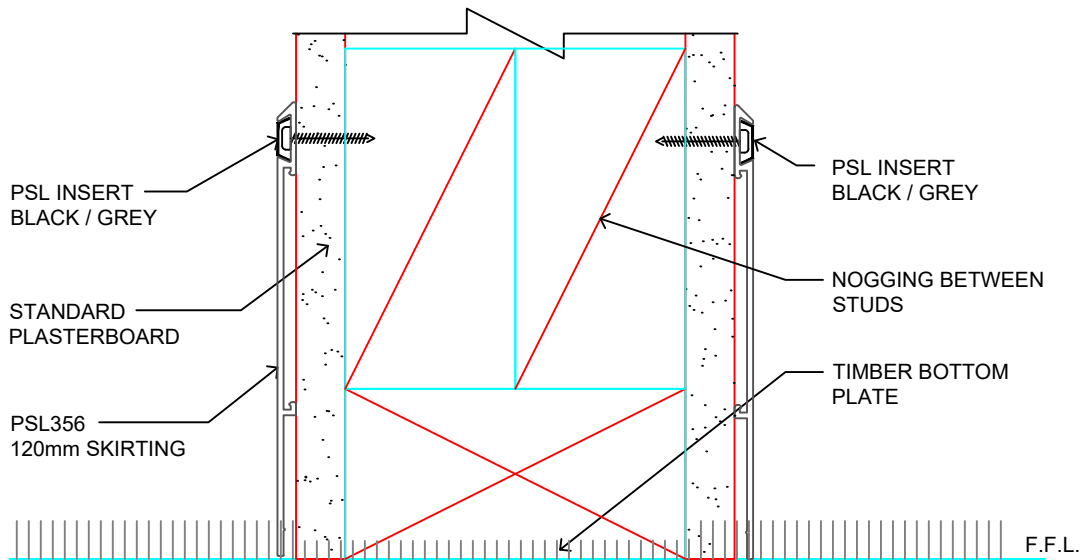
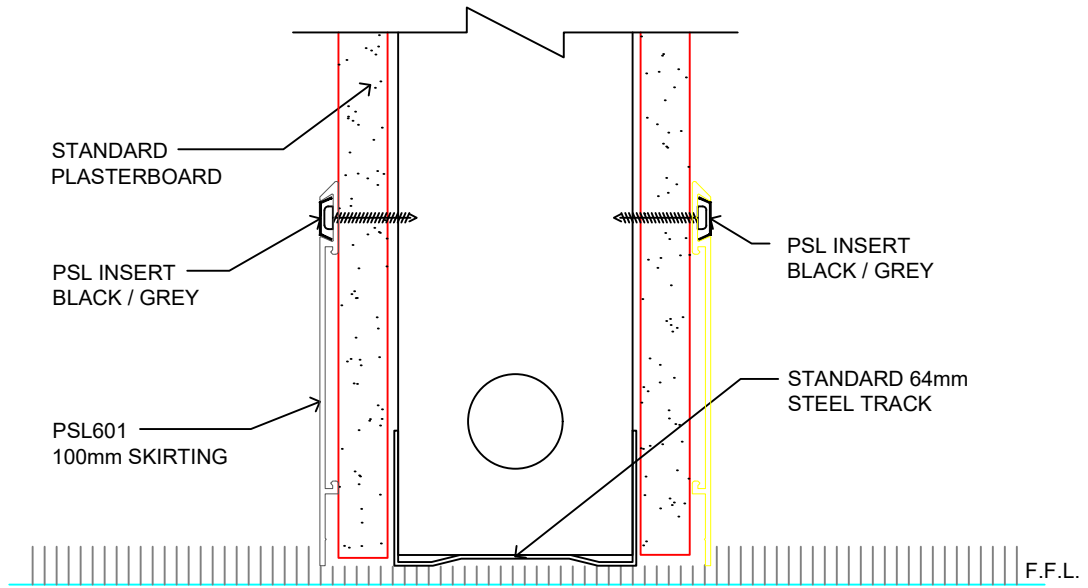
© Images are copyright & property of Autex PSL Limited



For more information regarding this profile, visit: [www.autexpsl.co.nz](http://www.autexpsl.co.nz)

Autex PSL LTD, Private Bag 19988, Avondale 1746, Auckland  
 Freephone 0800 82 80 80, [sales@autexpsl.co.nz](mailto:sales@autexpsl.co.nz)

© Images are copyright & property of Autex PSL Limited

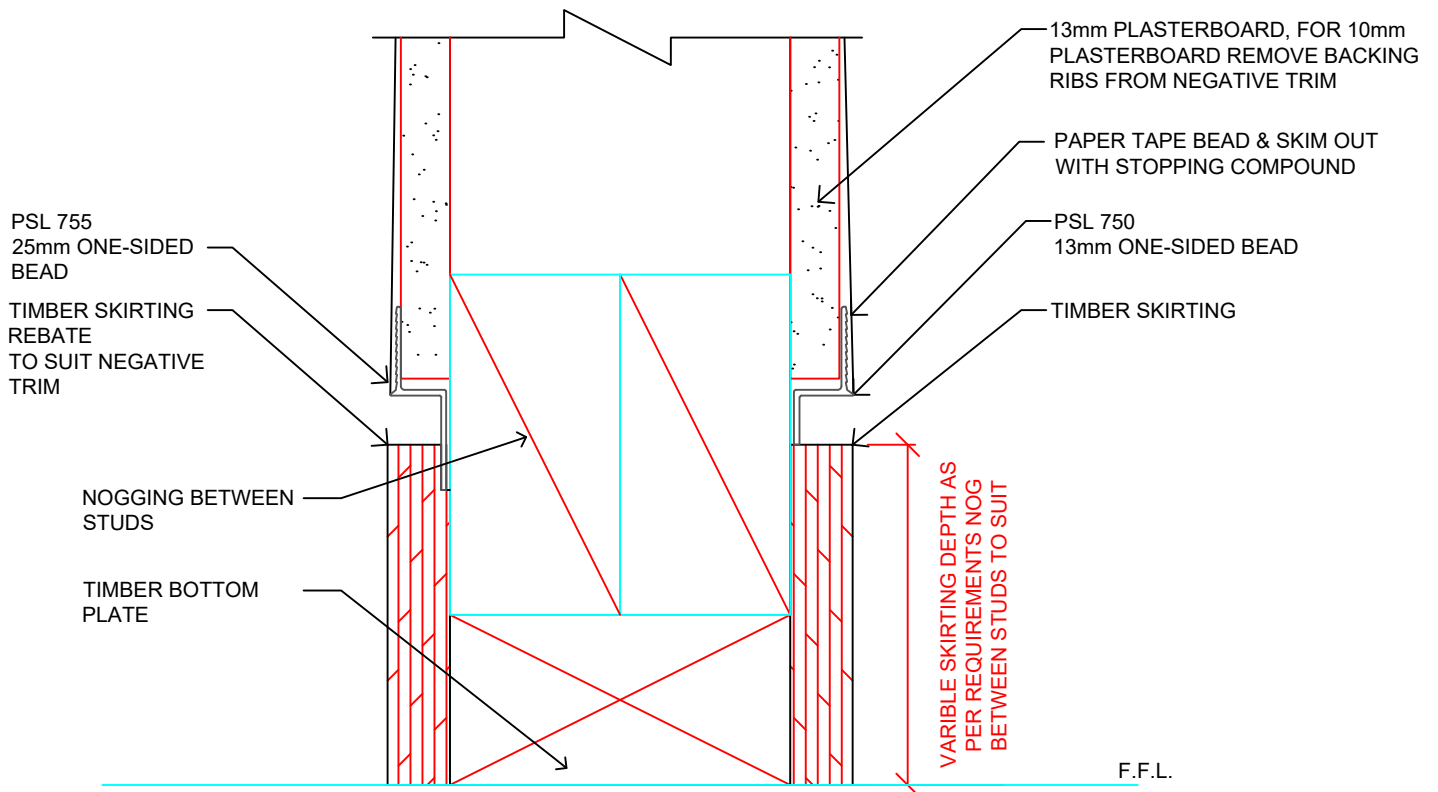
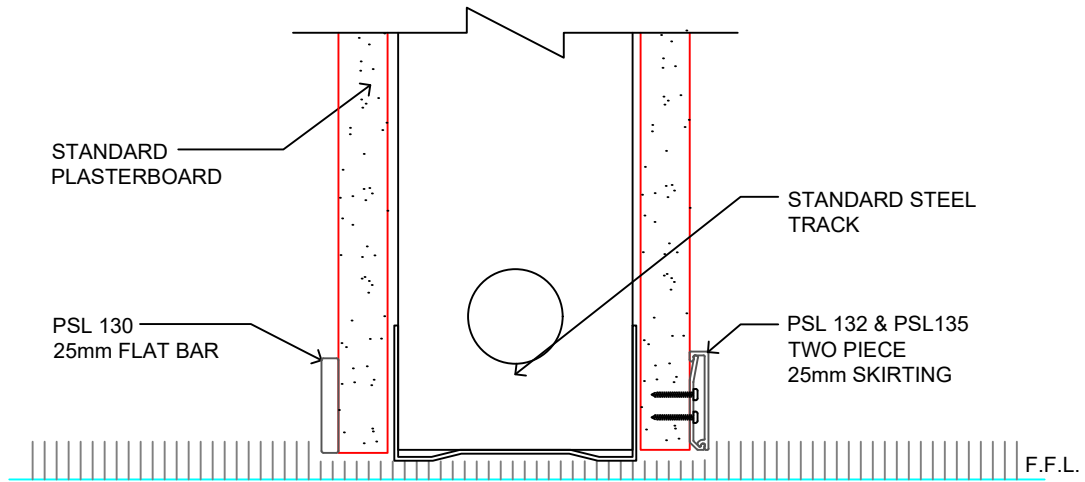


For more information regarding this profile, visit: [www.autexpsl.co.nz](http://www.autexpsl.co.nz)

Autex PSL LTD, Private Bag 19988, Avondale 1746, Auckland

Freephone 0800 82 80 80, [sales@autexpsl.co.nz](mailto:sales@autexpsl.co.nz)

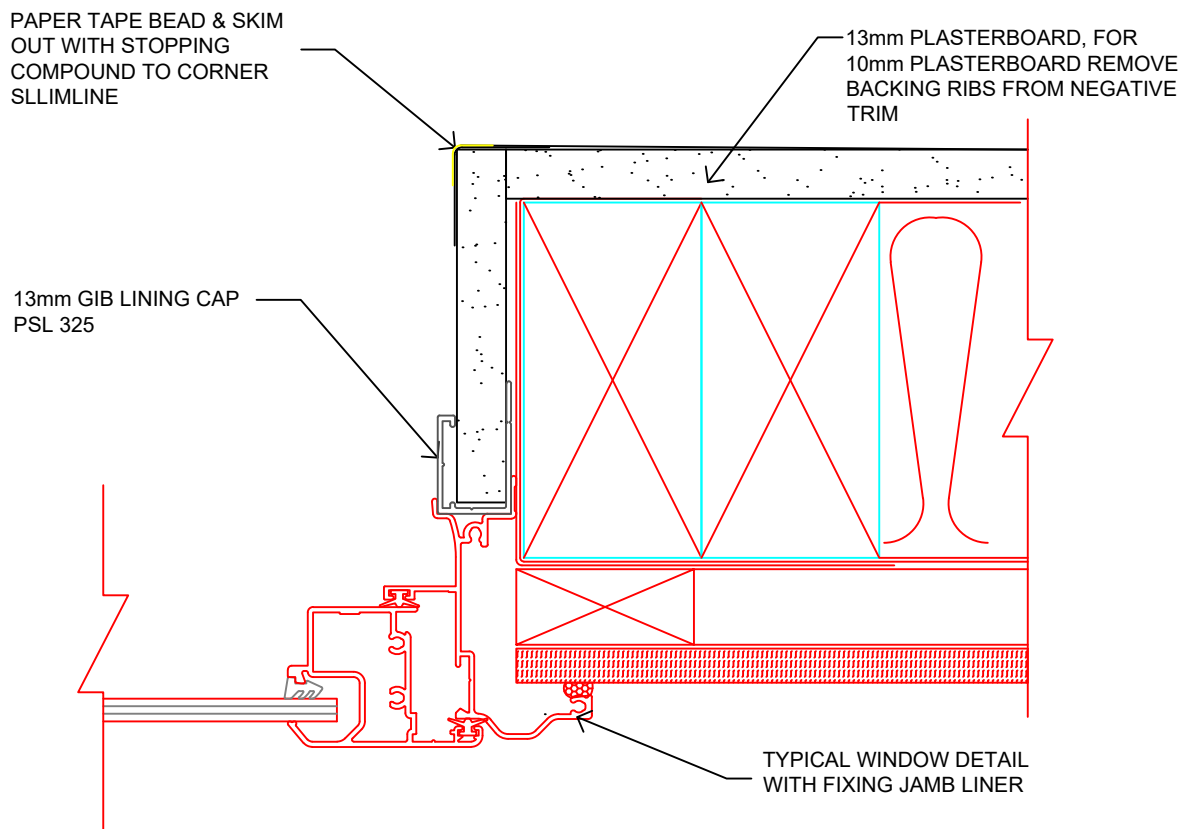
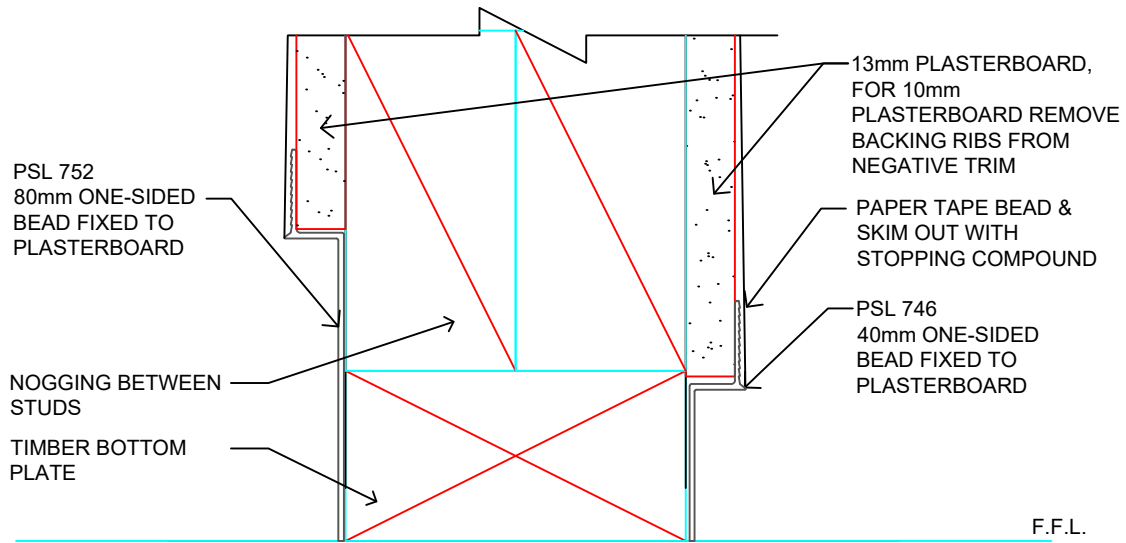
© Images are copyright & property of Autex PSL Limited



For more information regarding this profile, visit: [www.autexpsl.co.nz](http://www.autexpsl.co.nz)

Autex PSL LTD, Private Bag 19988, Avondale 1746, Auckland  
 Freephone 0800 82 80 80, [sales@autexpsl.co.nz](mailto:sales@autexpsl.co.nz)

© Images are copyright & property of Autex PSL Limited

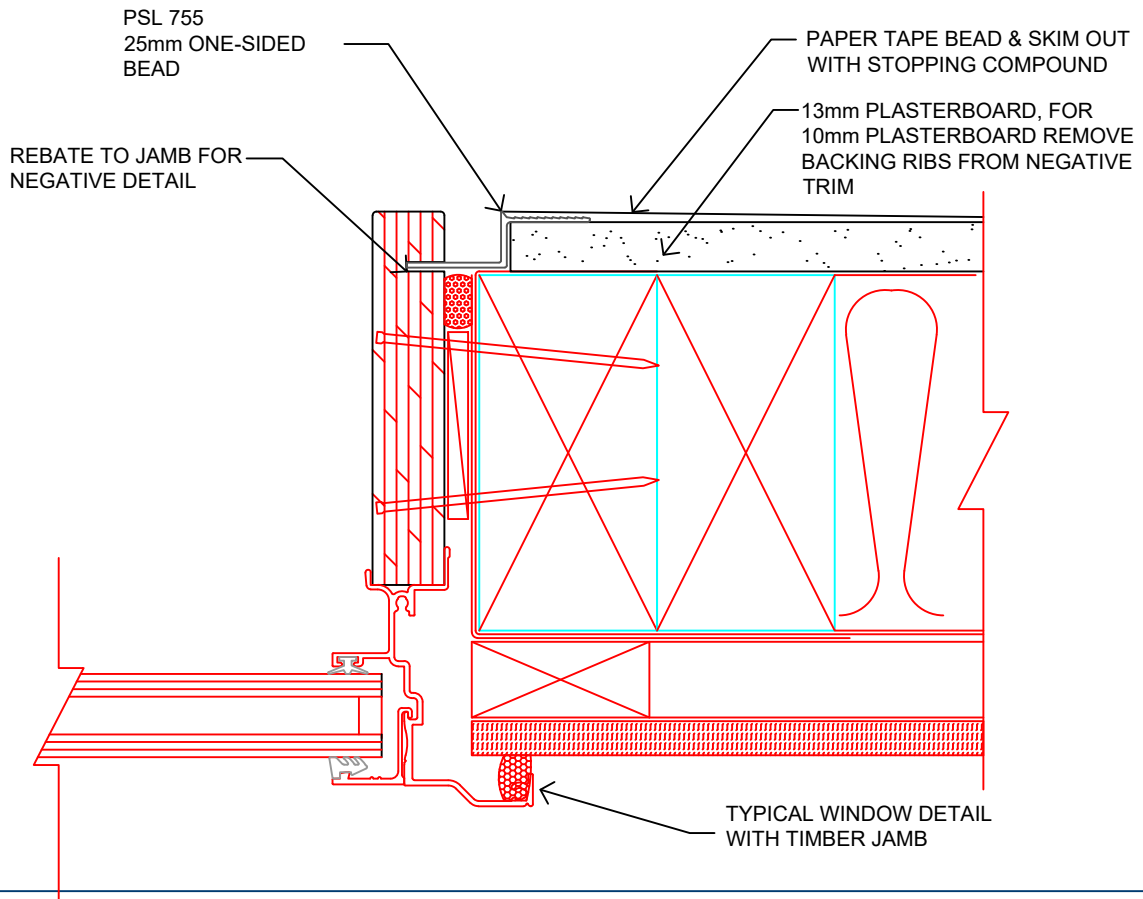
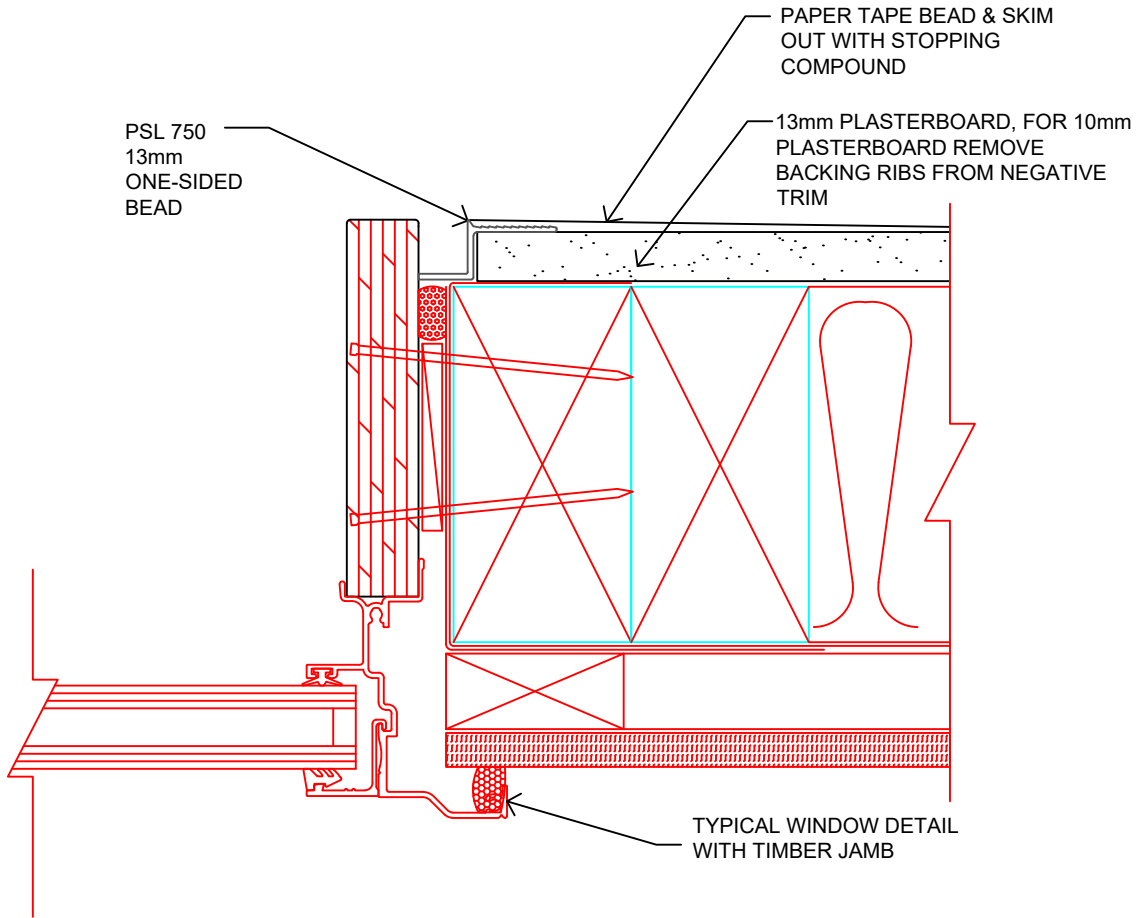


For more information regarding this profile, visit: [www.autexpsl.co.nz](http://www.autexpsl.co.nz)

Autex PSL LTD, Private Bag 19988, Avondale 1746, Auckland

Freephone 0800 82 80 80, [sales@autexpsl.co.nz](mailto:sales@autexpsl.co.nz)

© Images are copyright & property of Autex PSL Limited

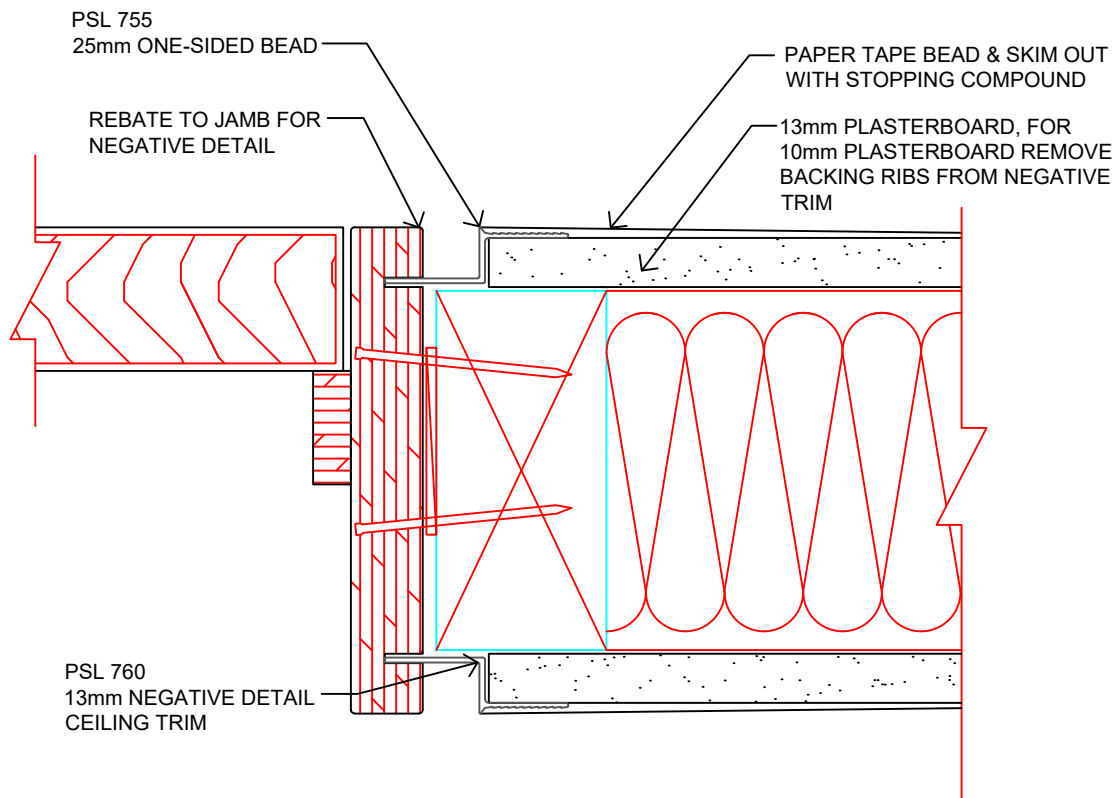
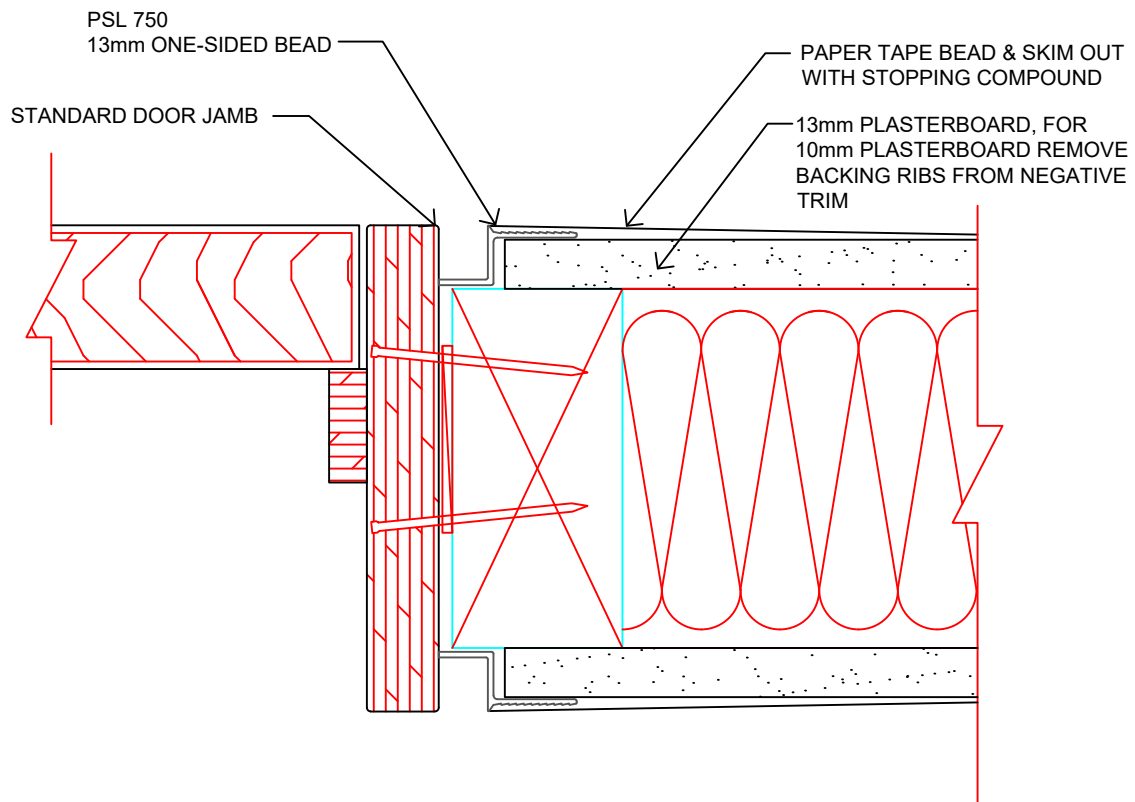


For more information regarding this profile, visit: [www.autexpsl.co.nz](http://www.autexpsl.co.nz)

Autex PSL LTD, Private Bag 19988, Avondale 1746, Auckland

Freephone 0800 82 80 80, [sales@autexpsl.co.nz](mailto:sales@autexpsl.co.nz)

© Images are copyright & property of Autex PSL Limited

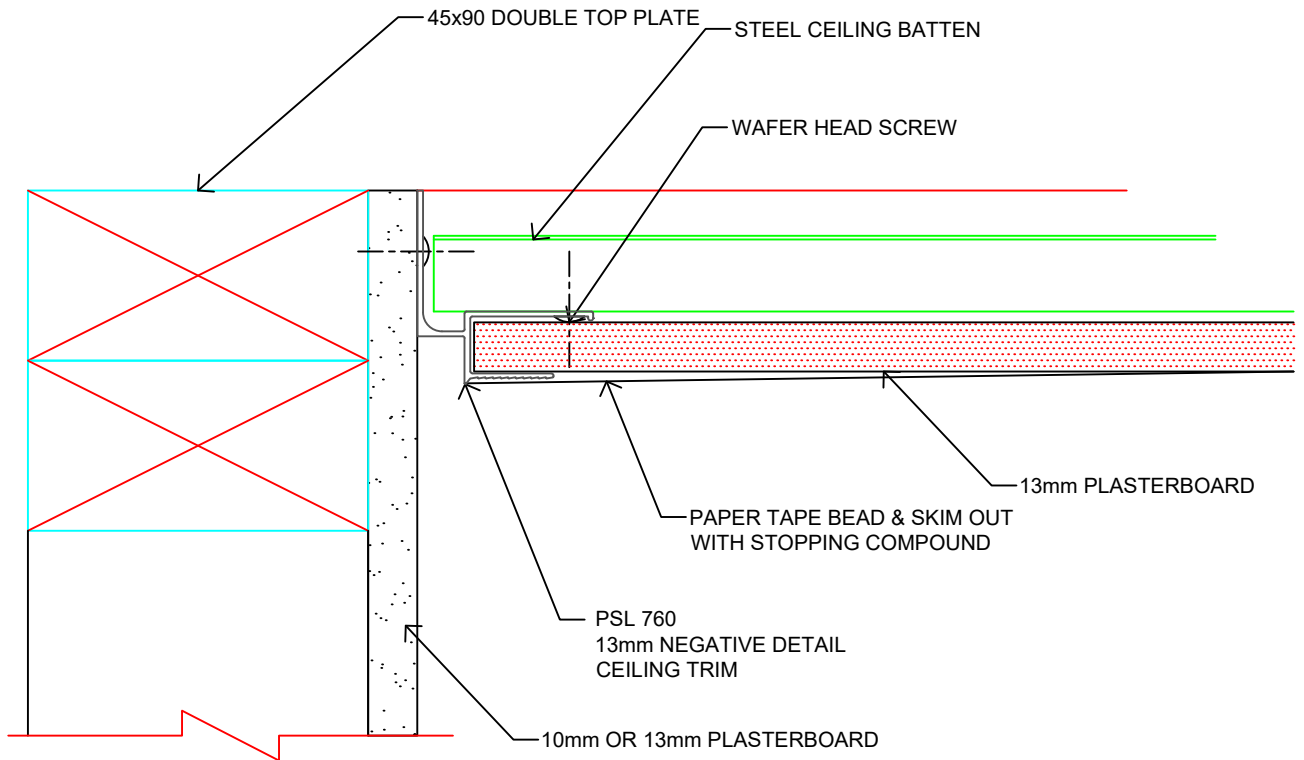
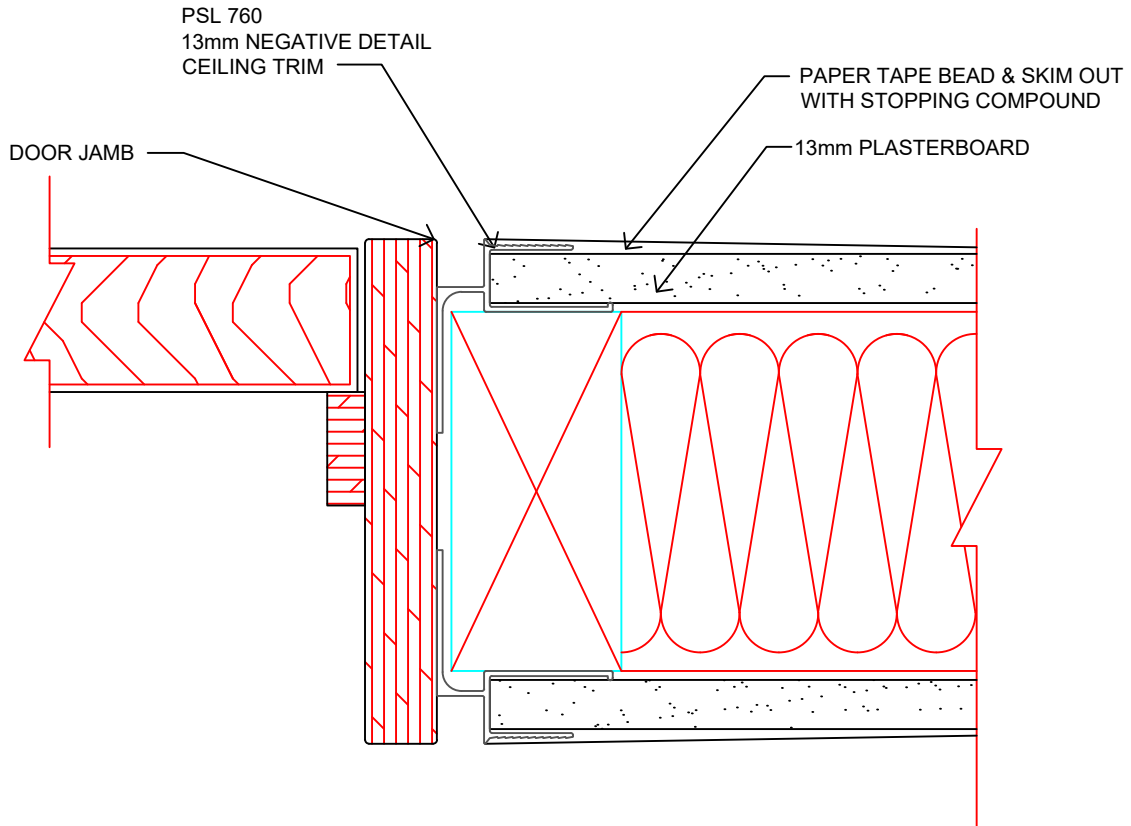


For more information regarding this profile, visit: [www.autexpsl.co.nz](http://www.autexpsl.co.nz)

Autex PSL LTD, Private Bag 19988, Avondale 1746, Auckland

Freephone 0800 82 80 80, [sales@autexpsl.co.nz](mailto:sales@autexpsl.co.nz)

© Images are copyright & property of Autex PSL Limited

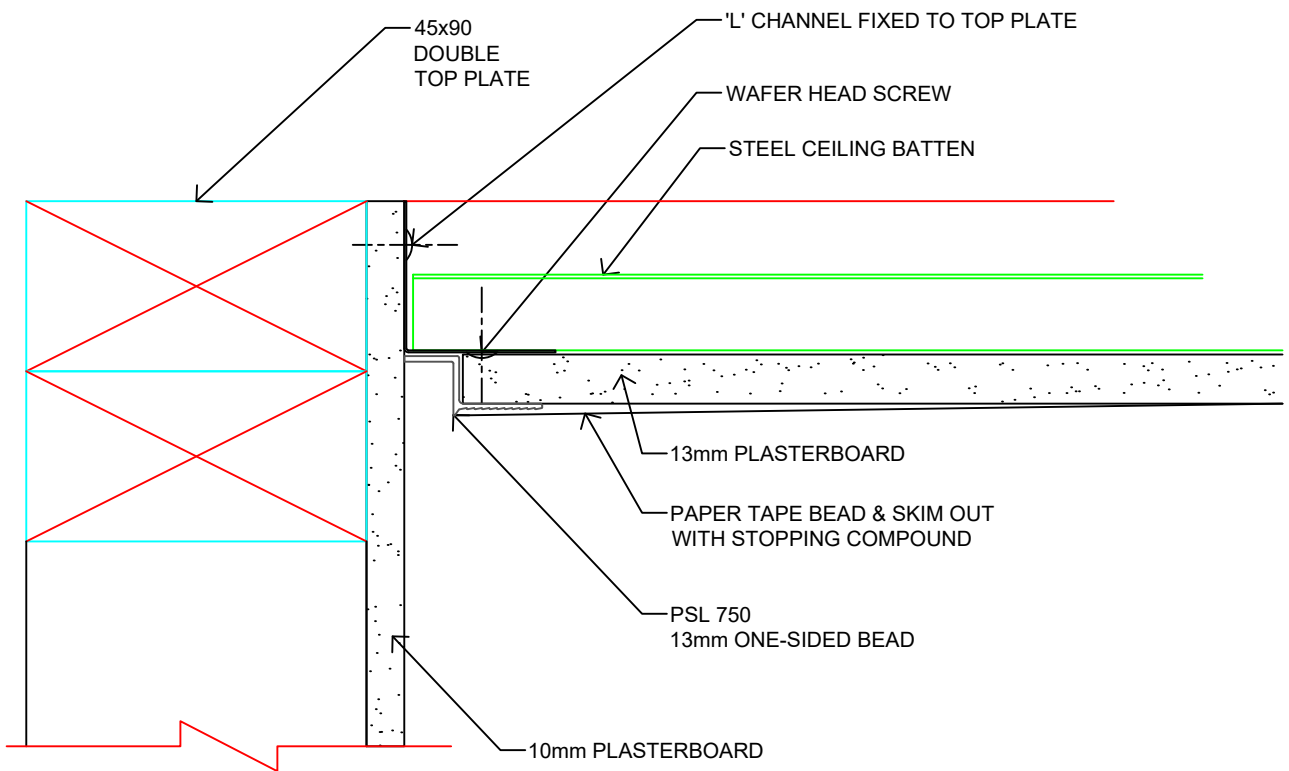
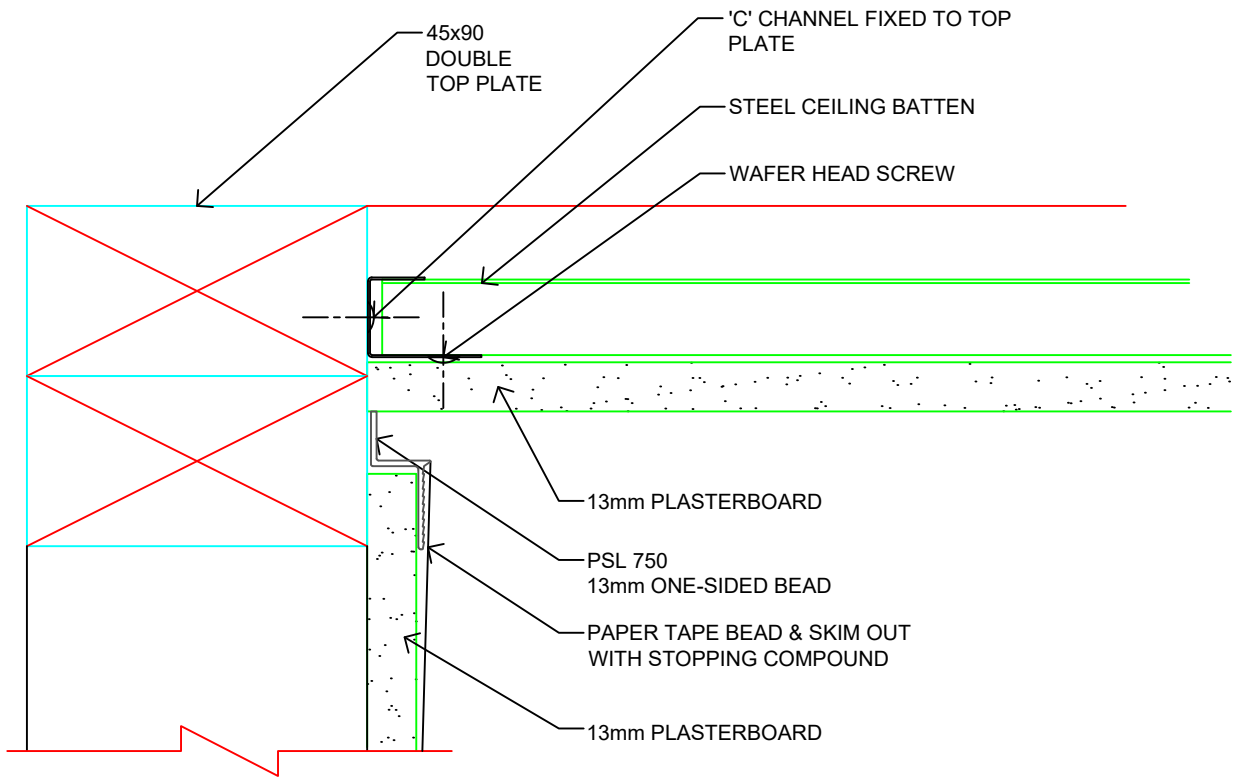


For more information regarding this profile, visit: [www.autexpsl.co.nz](http://www.autexpsl.co.nz)

Autex PSL LTD, Private Bag 19988, Avondale 1746, Auckland  
 Freephone 0800 82 80 80, [sales@autexpsl.co.nz](mailto:sales@autexpsl.co.nz)

© Images are copyright & property of Autex PSL Limited





For more information regarding this profile, visit: [www.autexpsl.co.nz](http://www.autexpsl.co.nz)

Autex PSL LTD, Private Bag 19988, Avondale 1746, Auckland

Freephone 0800 82 80 80, [sales@autexpsl.co.nz](mailto:sales@autexpsl.co.nz)

© Images are copyright & property of Autex PSL Limited