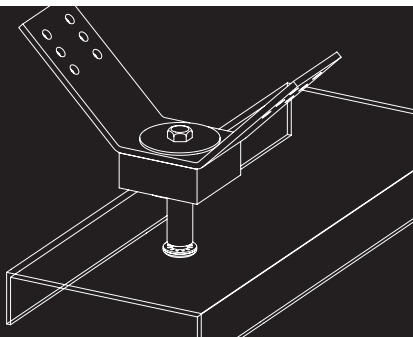


TRACKLOK™

INSTALLATION SHEET/ TRACKLOK SPT-10

PSL
INNOVATIVE ALUMINIUM



- 1/ Set out head track (clamp or screw temporarily).
- 2/ Measure TRACKLOK™ SPT-10 placements (refer to TRACKLOK™ specification sheet).
- 3/ Create 30-40mm hole in tile with holesaw (pilot bit must spike head section).
- 4/ Enlarge pilot hole in head track to 9mm
- 5/ Bolt TRACKLOK™ SPT-10 to head track using washer and bolt provided.
- 6/ Measure distance to slab and cut your brace material to length as per chart provided.
- 7/ Connect bracing material to TRACKLOK™ SPT-10 fly brace and top plates.
- 8/ Fix TRACKLOK™ SPT-10 top plates to slab with approved masonry anchor.
- 9/ Remove temporary fixings.

For further installation and limitation information please refer to TRACKLOK™ SPT-10 Specification Sheet available on website.



PSL
INNOVATIVE ALUMINIUM

PSL Innovative Aluminium Ltd.
0800 82 80 80
info@innovativealuminium.co.nz
www@innovativealuminium.co.nz

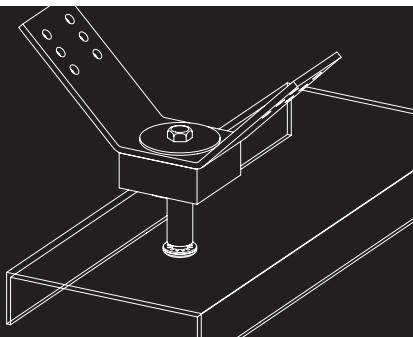
SHORE
SOLUTIONS
LTD



TRACKLOK™

INSTALLATION SHEET/ TRACKLOK SPT-10

PSL
INNOVATIVE ALUMINIUM



DISTANCE TO SLAB/

EACH BRACING LENGTH/

200mm.....	183mm
300mm.....	325mm
400mm.....	466mm
500mm.....	605mm
600mm.....	750mm
700mm.....	890mm
800mm.....	1035mm
900mm.....	1175mm
1000mm.....	1315mm
1100mm.....	1455mm
1200mm.....	1595mm
1300mm.....	1735mm



PSL
INNOVATIVE ALUMINIUM

PSL Innovative Aluminium Ltd.
0800 82 80 80
info@innovativealuminium.co.nz
www@innovativealuminium.co.nz

SHORE
SOLUTIONS
LTD

